

2015-Current Ford F-150 Super Crew 2017-Current Ford F-250 F-350 Super Duty Crew Cab

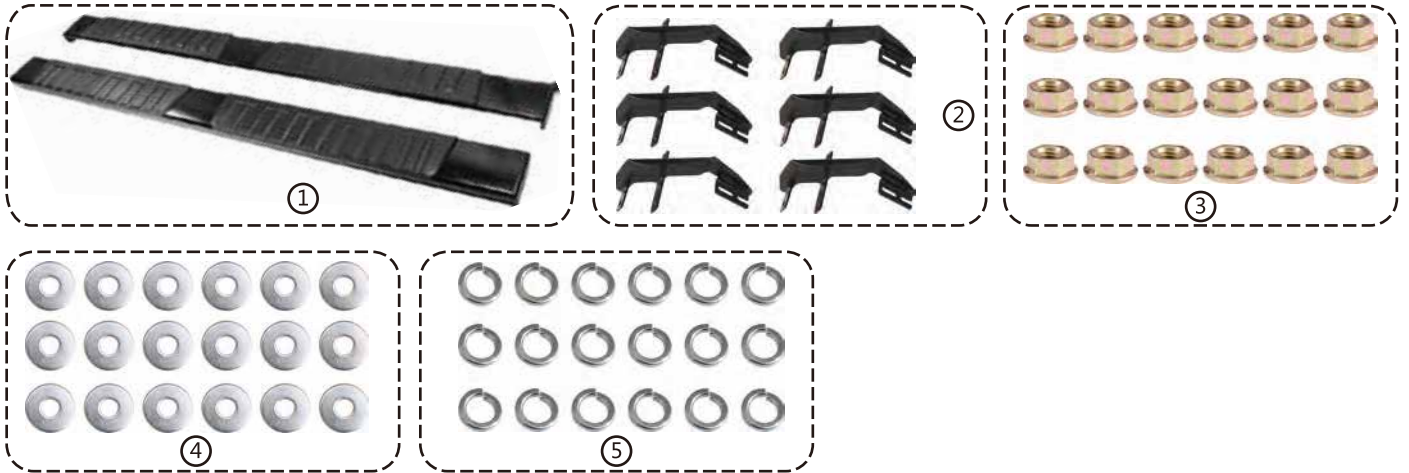
Attention:

- Please read this installation menu before installing this part. Protect your car properly in case there is any scratch might happen.
- You may need to periodically to re-tighten all hardware for safety use after installation.
- Installation pictures are only for your reference, there might be some differences between pictures and real parts but no effect for your fitting.
- Please do not tighten the screws before fitting whole brackets, so that you can adjust the fitting hole.



PARTS LIST:

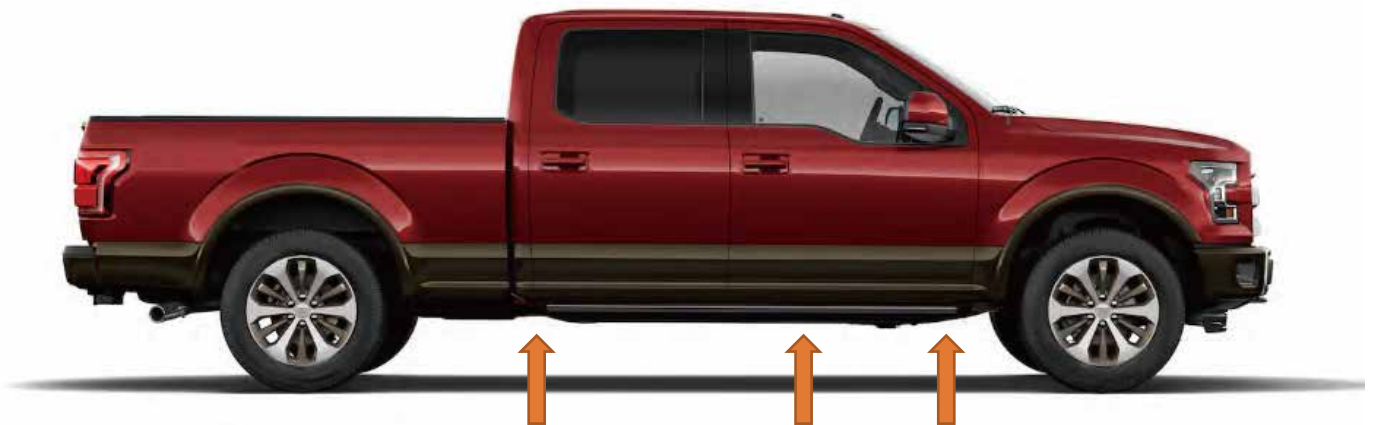
①	Step Bar	X2	④	M8 Flat Washer	X18
②	Bracket	X6	⑤	M8 Spring Washer	X18
③	M8 Hexagon Nut	X18			



STEP 1

Locate Mounting Positions

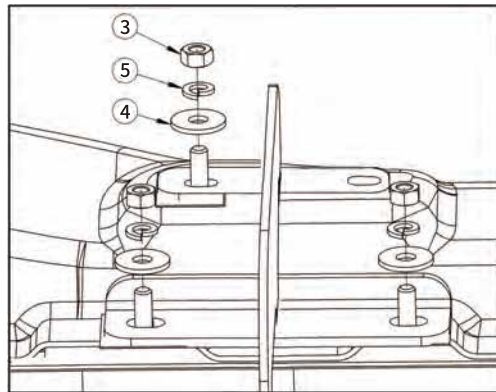
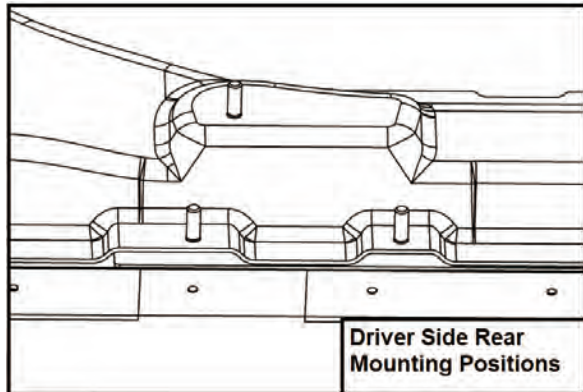
- ☆ Three mounting positions each side.
- ☆ Clean factory mounting studs, make sure no rust and dirt to disturb installation.



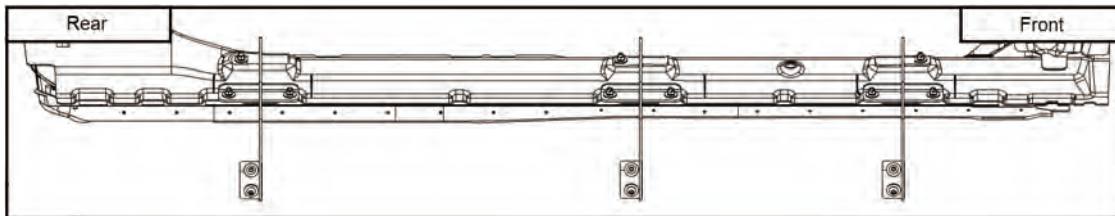
STEP 2

Install Brackets

- ☆ Attach bracket onto mounting position and feed factory studs through mounting holes on brackets.
- ☆ Add M8 flat washers and spring washers on studs. Snug on M8 hex nut, do not fully tight.



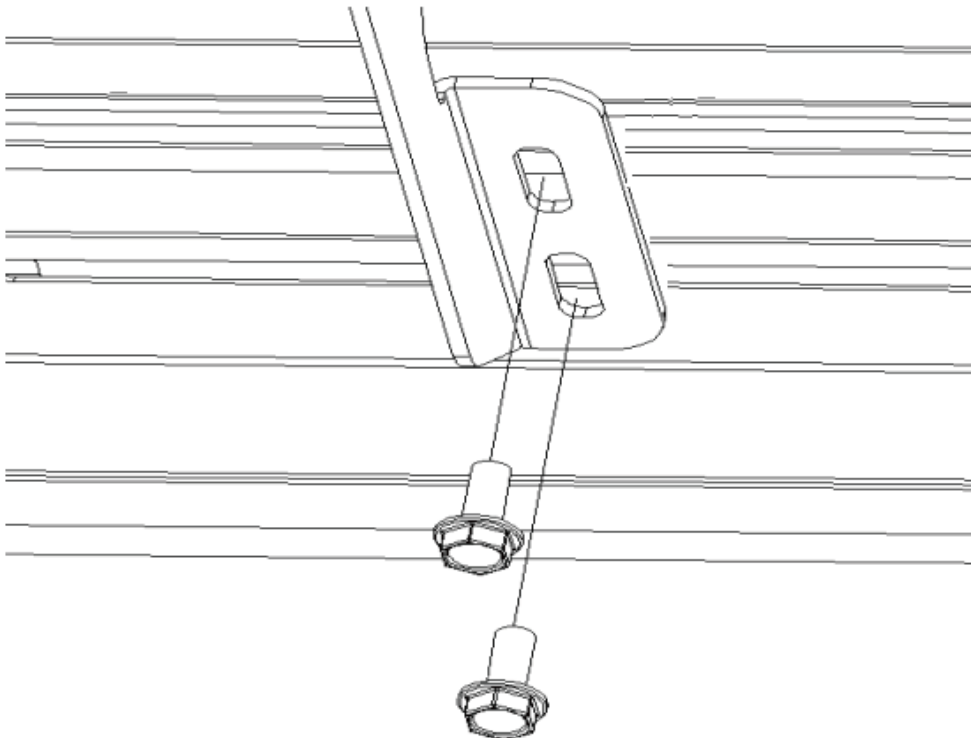
- ☆ Install remaining brackets



STEP 3

Assemble Running Board

- ☆ Remove all M8 hex bolts from running board, 6 bolts each side.
- ☆ Carefully place running board onto brackets.
- ☆ Slide the mounting tracks, align the tracks mounting holes with the slots on each bracket.
- ☆ Secure the mounting tracks by M8 hex bolts.



STEP 4

Tighten and check

- ☆ Tighten all the bolts. Tighten bolts on vehicle first and then the step bar.
- ☆ When the running boards installed, periodic check to ensure all mounting hardware remains secure.

Steps for reference

- ☆ Log into your My account.
- ☆ Go to My account, select Purchases and find this order.
- ☆ Click on "Contact Seller"

Thank you for selecting Running Board.

Your new running board are custom molded to fit your specific vehicle.