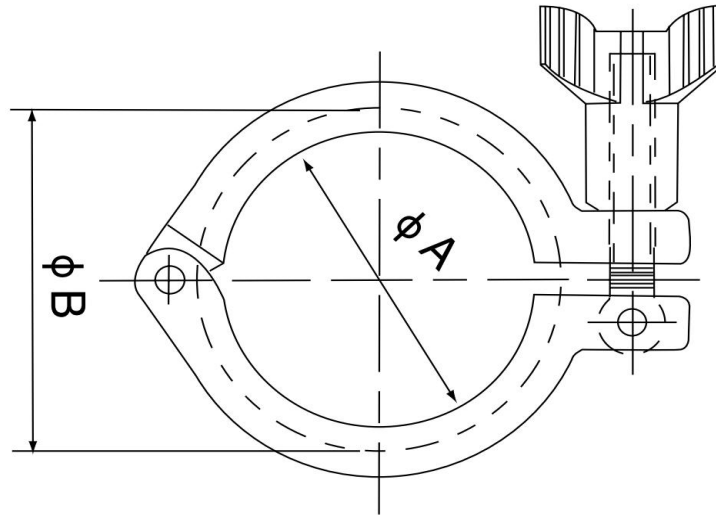


# Sanitary Clamps Spec Sheet

## — Single-Pin Heavy Duty Clamp



13MHH Single Pin Heavy Duty Clamps are constructed from 304 stainless steel and intended for use with sanitary fitting. The 2-piece hinge design of these sanitary clamps provides the evenly distributed clamping pressure possible while the cross-hole wing nut style sanitary clamps allow for quick and easy tightening without the need for tools.



Material: AISI 304

### 13MHH - Single-Pin Heavy Duty Clamp

SKU	SIZE	$\phi A$		$\phi B$		Max PSI @ 70°F
		in	mm	in	mm	
EXA-CLAMP-1IN	1"	1.748	44.4	2.110	53.6	500
EXA-CLAMP-1.5IN	1 1/2"	1.748	44.4	2.110	53.6	500
EXA-CLAMP-2IN	2"	2.276	57.8	2.678	67	450
EXA-CLAMP-2.5IN	2.5"	2.811	71.4	3.173	80.6	400
EXA-CLAMP-3IN	3"	3.307	84	3.708	94.2	350
EXA-CLAMP-3.5IN	3 1/2"	3.896	99	4.299	109.2	300
EXA-CLAMP-4IN	4"	4.331	110	4.811	122.2	300
EXA-CLAMP-6IN	6"	6.118	155.4	6.709	170.4	150
EXA-CLAMP-8IN	8"	8.071	205	8.661	220	100
EXA-CLAMP-10IN	10"	10.157	258	10.709	272	75
EXA-CLAMP-12IN	12"	12.087	307	12.717	323	50

## Hardware Factory Store Inc.

1029 N Todd Ave. Azusa, CA 91702

TEL: 626.332.7744

E-MAIL: [info@hfsusa.com](mailto:info@hfsusa.com)

WEBSITE: <https://hardwarefactorystore.com/>

