

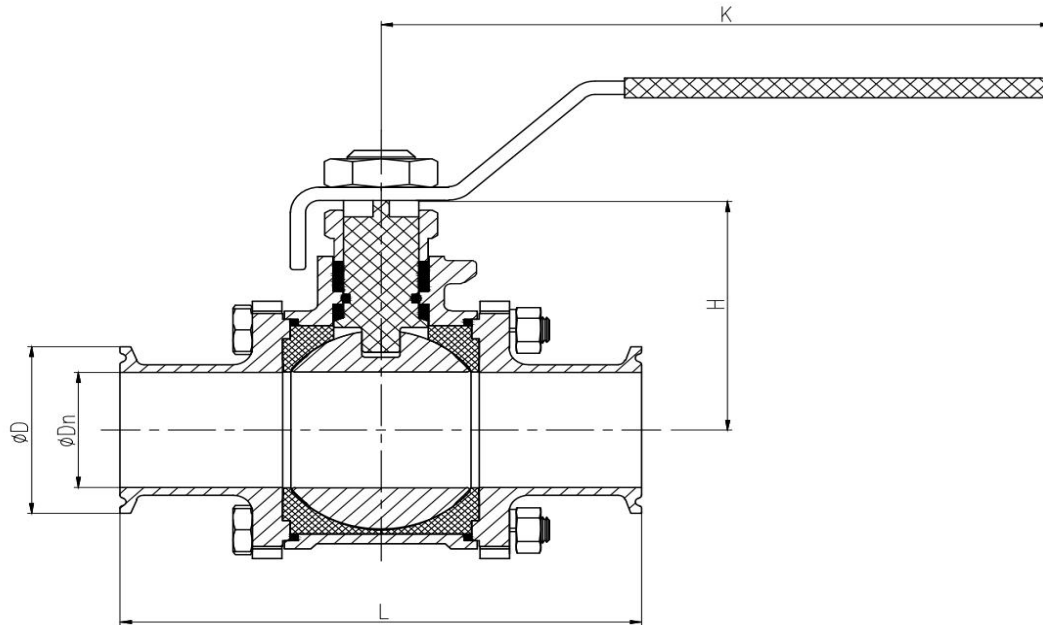
Three Piece Ball Valve

— Tri Clamp Connection



FEATURE

- Product Type: Three Piece Ball Valve
- Working Pressure: 1.6Mpa
- Max Working Temp.:150°C
- Service Media: water, gas, and oil



SKU	SIZE	D		Dn		L		K		H	
		mm	inch	mm	inch	mm	inch	mm	inch	mm	inch
EXA-VALVE-1.5IN	1 1/2"	50.4	1.98	34.8	1.37	140.00	5.51	215	8.46	73	2.87
EXA-VALVE-2IN	2"	64	2.52	47.5	1.87	156.00	6.14	215	8.46	78.5	3.09

Hardware Factory Store Inc.

1029 N Todd Ave. Azusa, CA 91702

TEL: 626.332.7744

E-MAIL: info@hfsusa.com

WEBSITE: <https://hardwarefactorystore.com/>

 **HFS**
www.HardwareFactoryStore.com