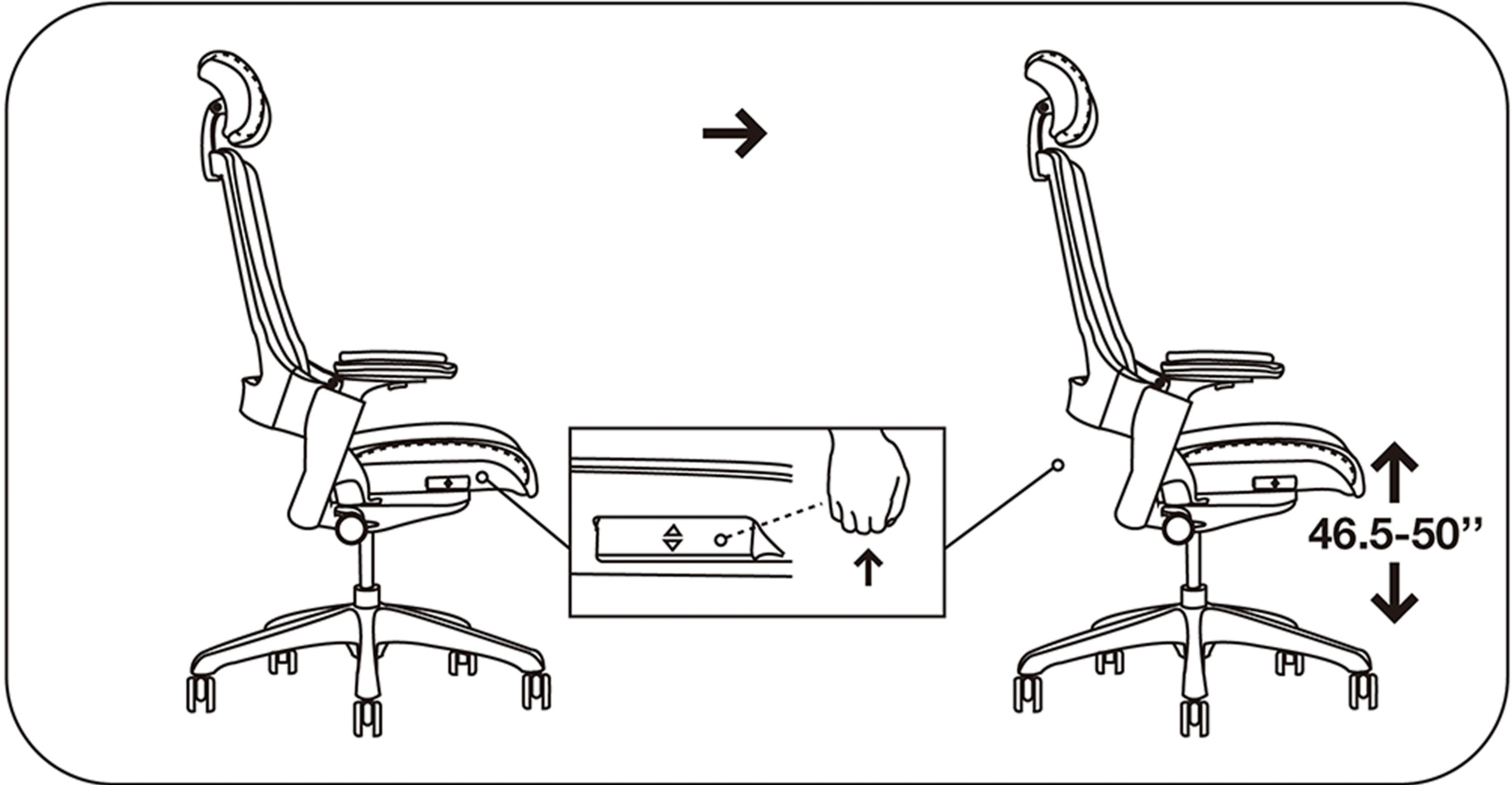
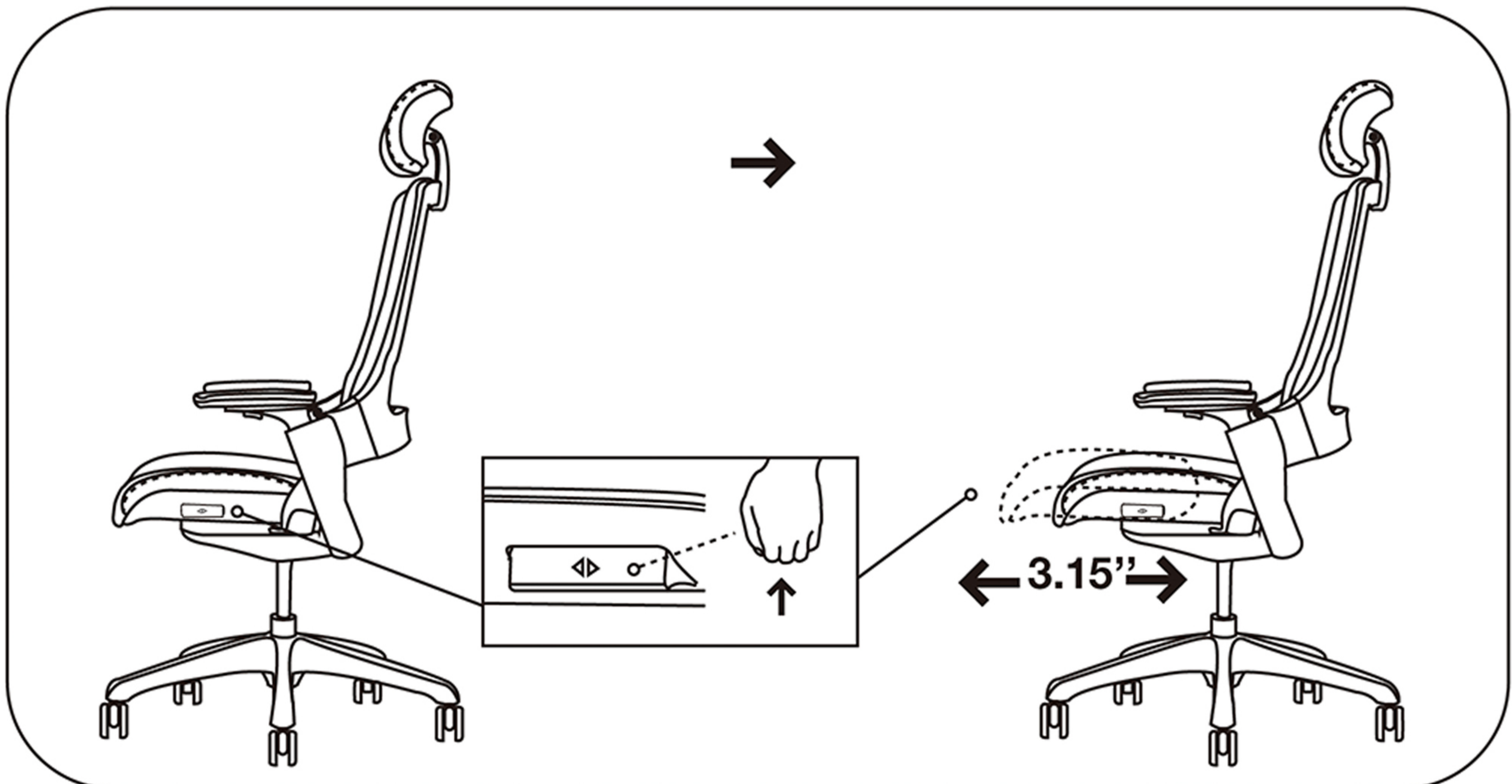


USER INSTRUCTIONS



Seat Height

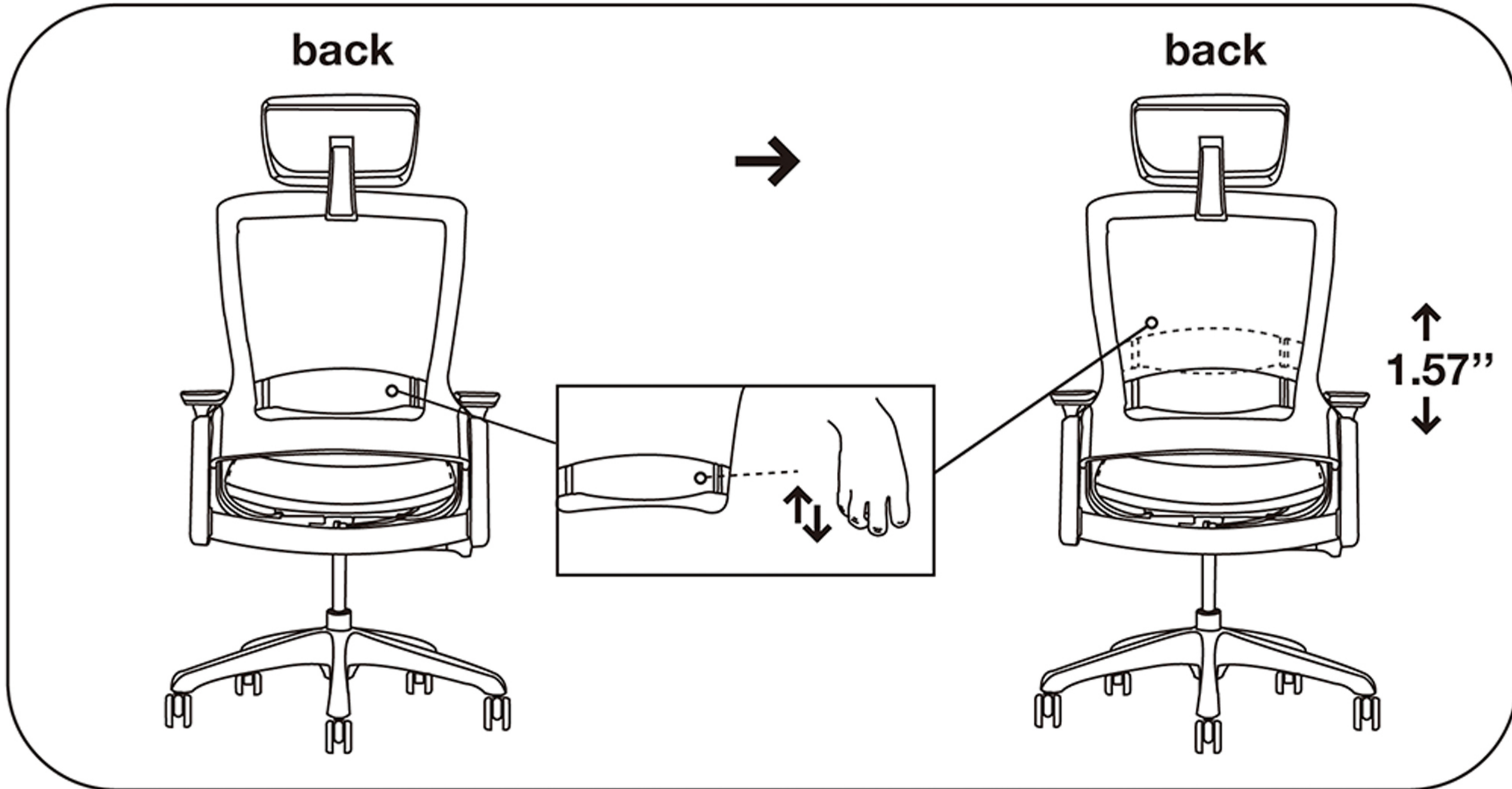
Pull up the right side button of the seat to adjust the seat height.



Seat Depth

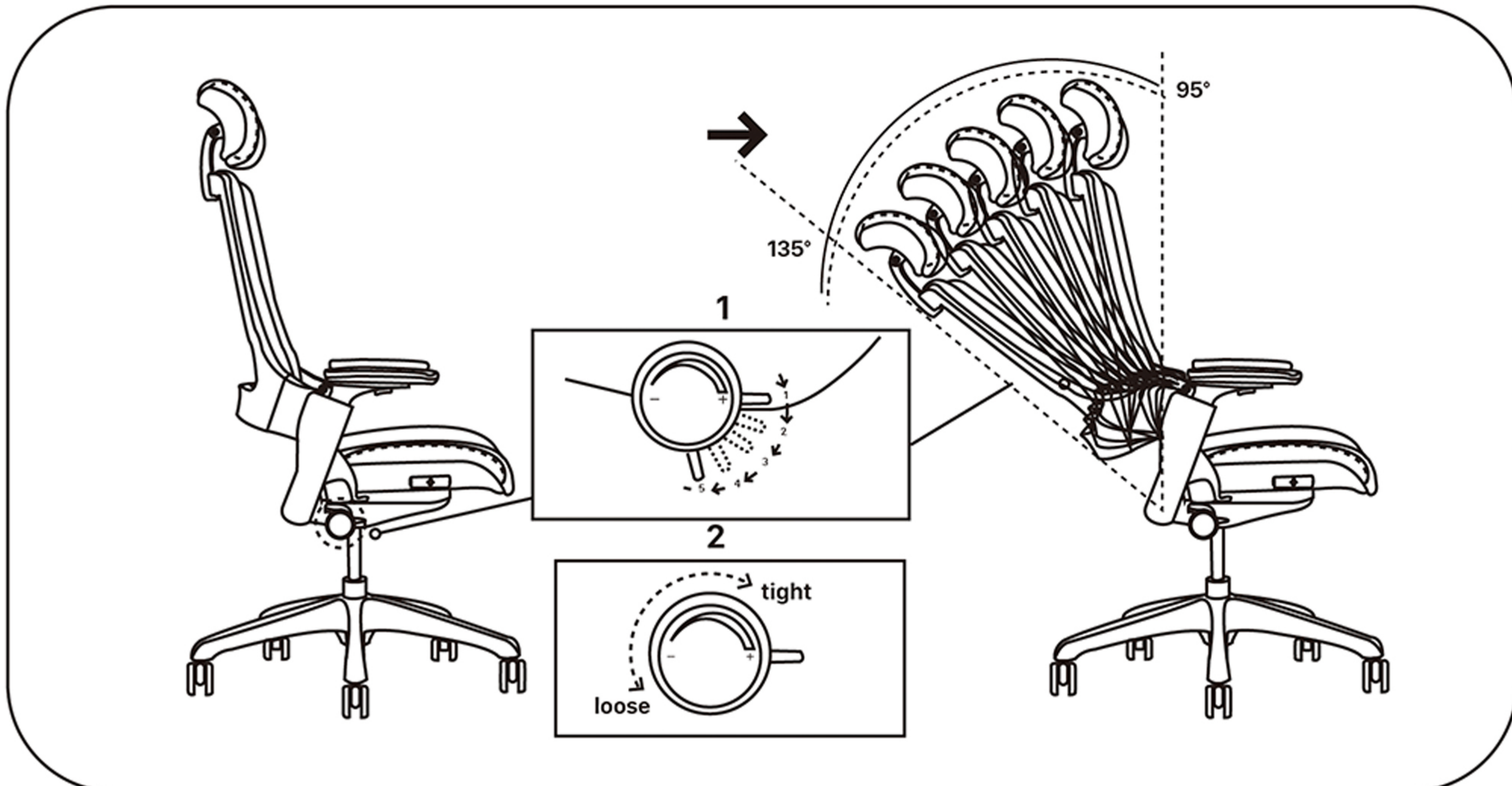
Pull up the left side button of the seat to adjust the seat depth.

USER INSTRUCTIONS



Lumbar Support

Move the lumbar support behind the backrest to adjust the lumbar support position.

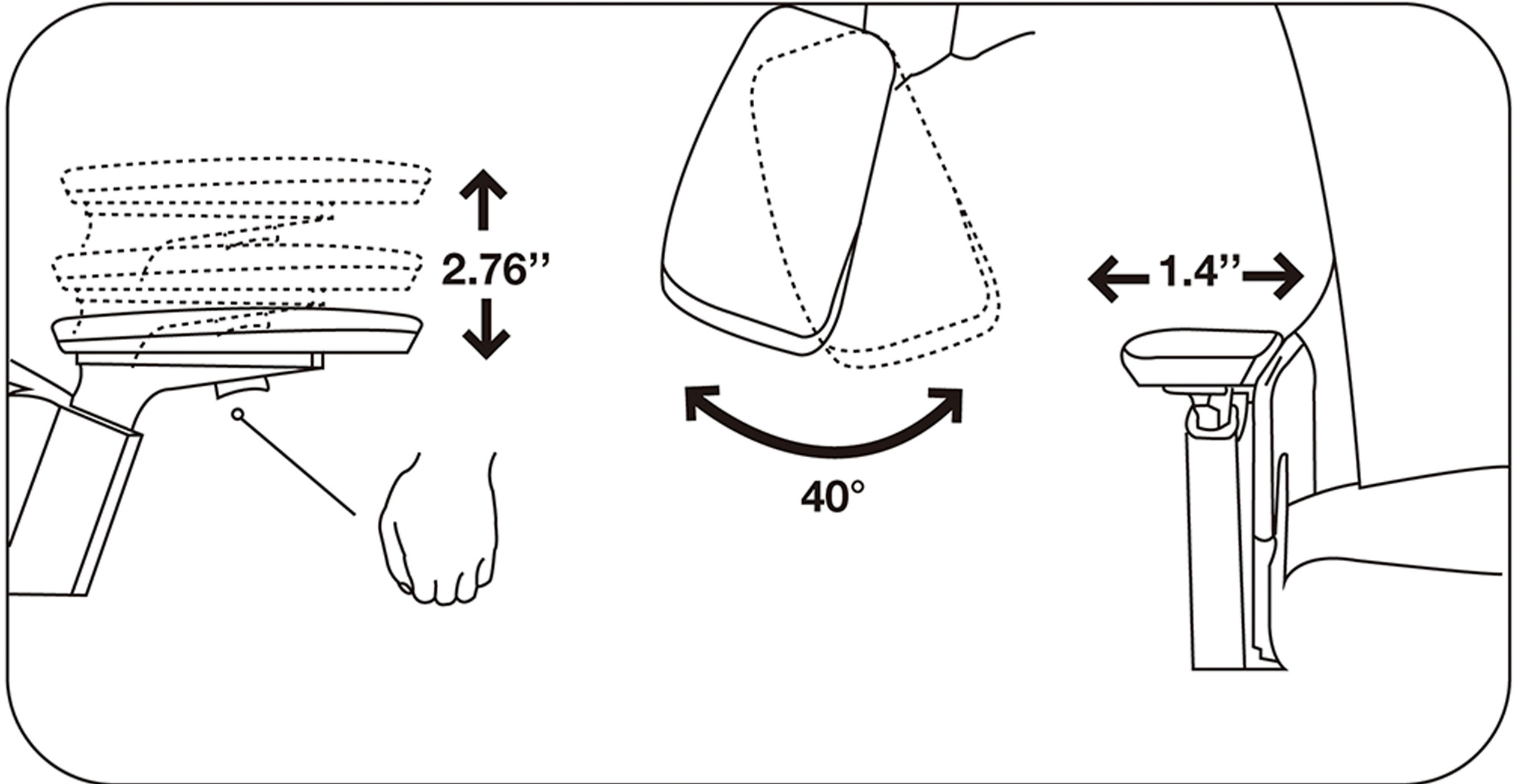


Backrest

Adjust the tilt angle by flipping the paddle. (ref. to 1)

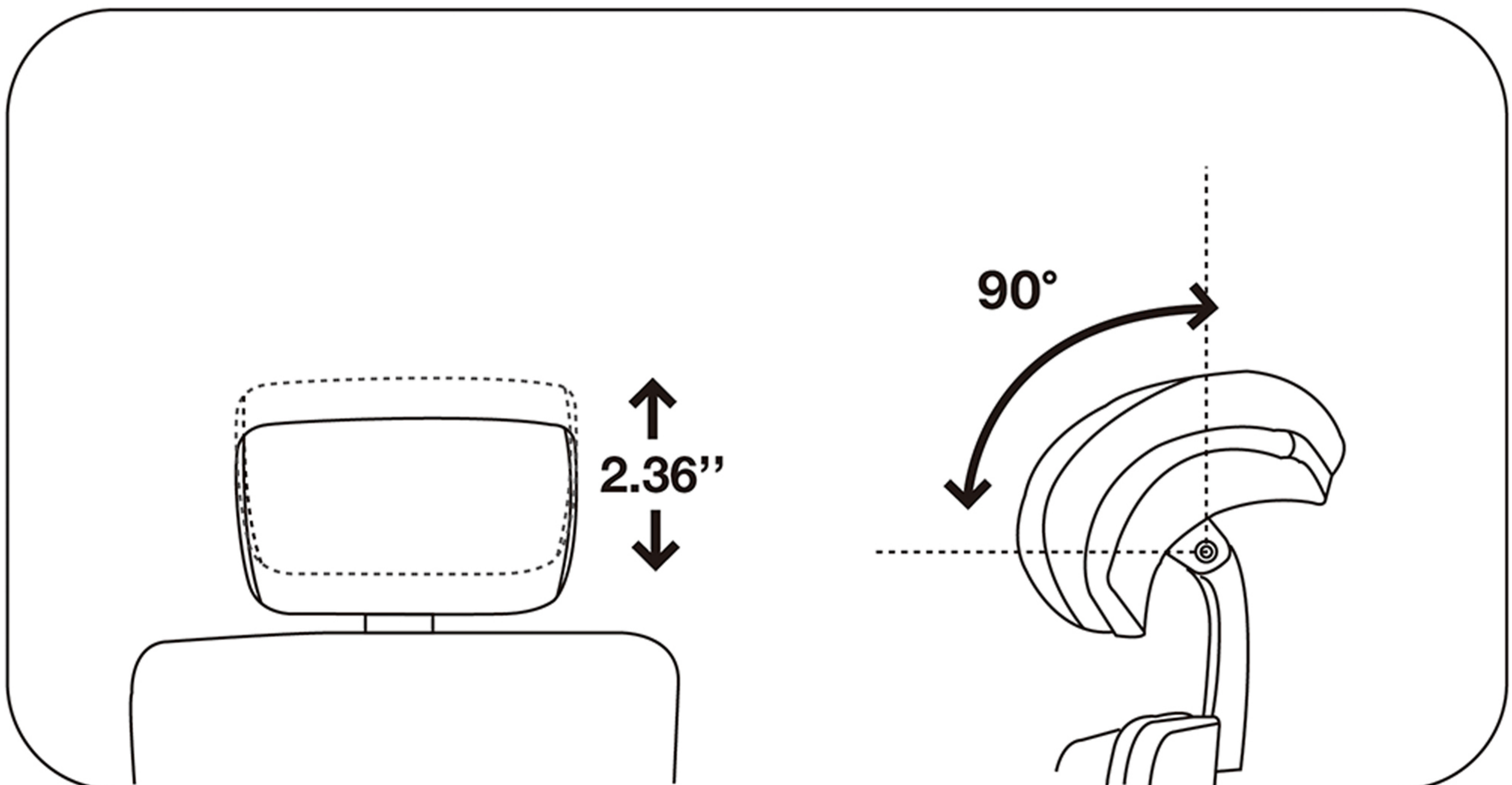
Adjust the tilt tension by rotating the knob. (ref. to 2)

USER INSTRUCTIONS



Armrest

The armrest can be adjusted in 3 different dimensions.



Additional Headrest (it needs to be purchased separately)

The height and tilt angle of the headrest can be adjusted.