

Product Specifications

Receiving card

HD-R500S

V1.0 20210112

1. Overview

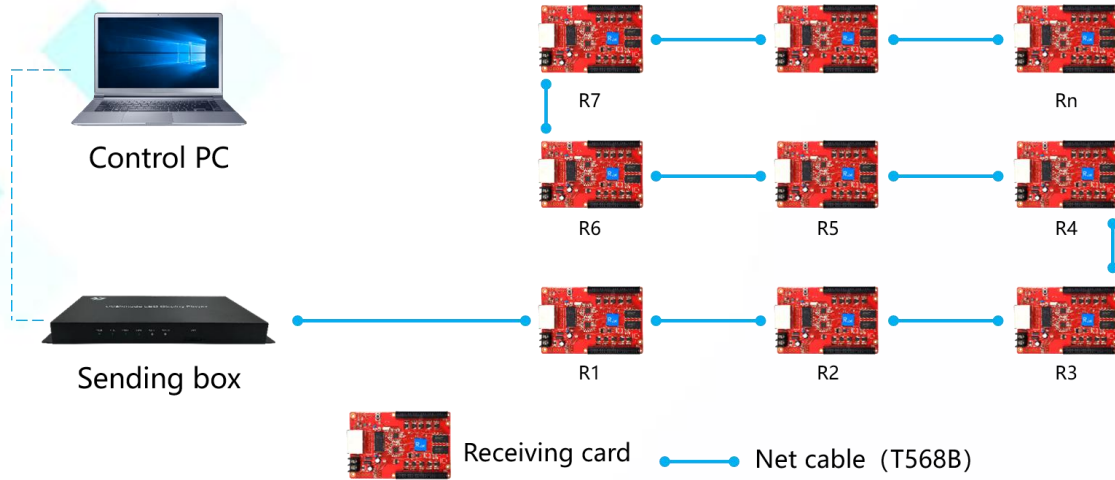
R500S is equipped with 2 lines 50PIN HUB universal interface, it can install HUB board of HUB75, HUB08, HUB12, HUB320, HUB40, etc. compatible with R series receiving card.

2. Parameters

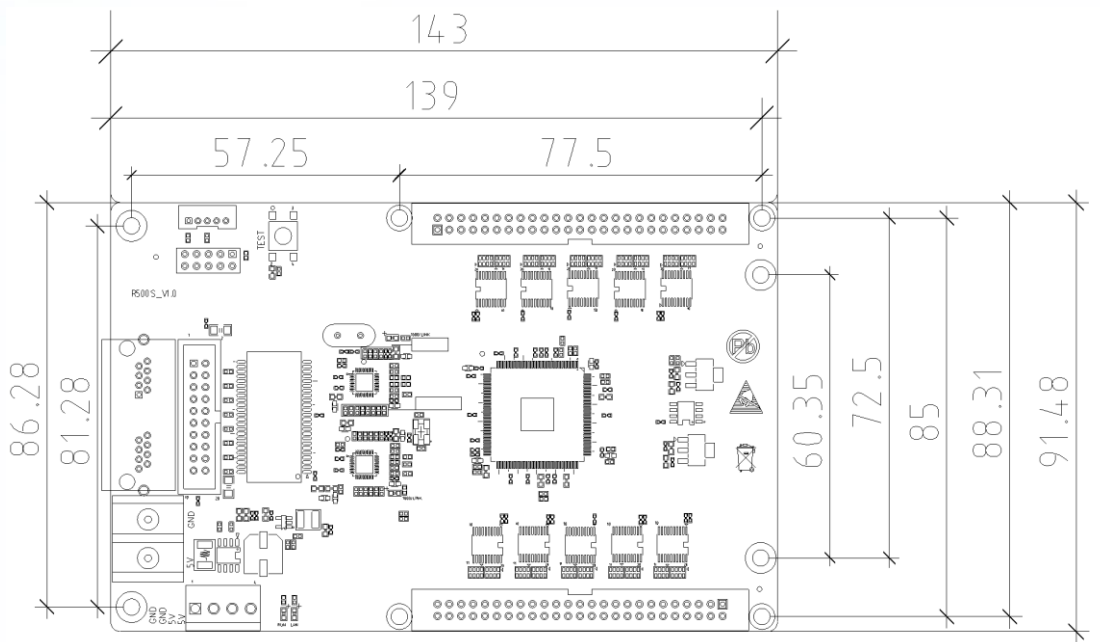
With sending card	Dual-mode sending box, Asynchronous sending card, Synchronous sending card, Video processor of VP series.
Module type	Compatible with all common IC module, supported most PWM IC module.
Scan mode	Supports any scanning method from static to 1/64 scan
Communication method	Gigabit Ethernet
Control range	Recommend: 65,536 pixels (128*512) Outdoor module width ≤ 256 , Indoor module width ≤ 128
Multi-card connection	Receiving card can be put in any sequence
Gray scale	256~65536
Smart setting	A few simple steps to complete the smart settings, through the screen layout can be set to go with any alignment of the screen unit board.
Test functions	Receiving card integrated screen test function, Test display brightness uniformity and display module flatness.
Communication distance	Super Cat5,Cat6 network cable within 80 meters
Port	5V DC Power*1,1Gbps Ethernet port*2, 50 PIN HUB*2
Input voltage	4.2V-5.5V
Power	5W

3. Connection method

Connection diagram of connecting R500 with player box A6:



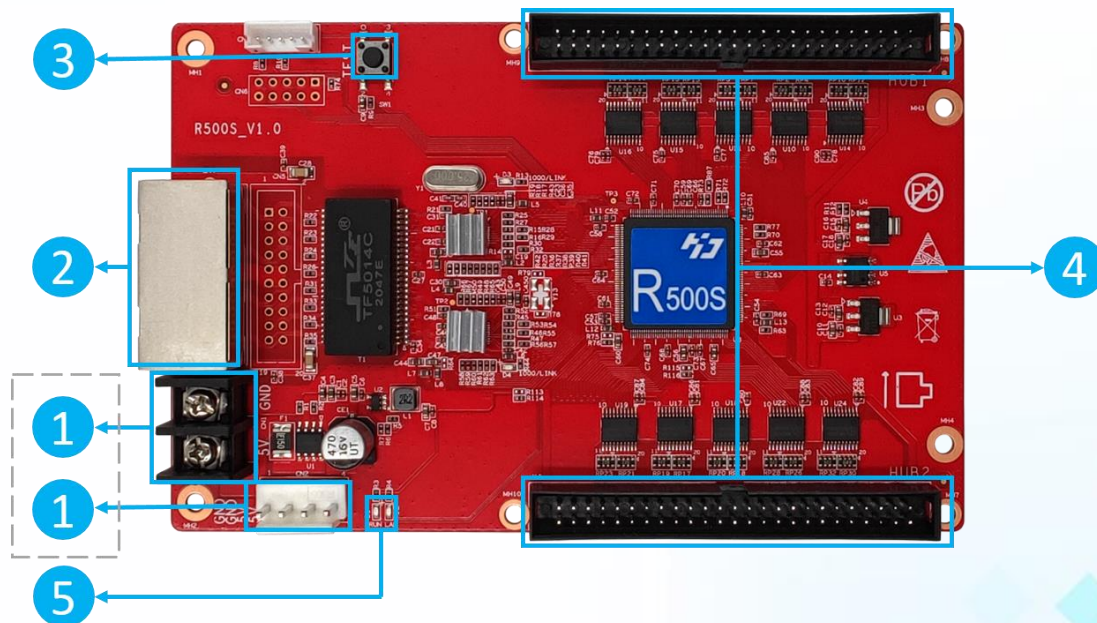
4. Dimensions



5. Interface Definition

VCC	2	1	GND	VCC	2	1	GND
VCC	4	3	GND	VCC	4	3	GND
NC	6	5	GND	NC	6	5	GND
BD7	8	7	NC	NC	8	7	BD7
RD7	10	9	GD7	RD7	10	9	GD7
BD6	12	11	NC	NC	12	11	BD6
RD6	14	13	GD6	RD6	14	13	GD6
BD5	16	15	NC	NC	16	15	BD5
RD5	18	17	GD5	RD5	18	17	GD5
BD4	20	19	NC	NC	20	19	BD4
RD4	22	21	GD4	RD4	22	21	GD4
BD3	24	23	NC	NC	24	23	BD3
RD3	26	25	GD3	RD3	26	25	GD3
BD2	28	27	NC	NC	28	27	BD2
RD2	30	29	GD2	RD2	30	29	GD2
BD1	32	31	NC	NC	32	31	BD1
RD1	34	33	GD1	RD1	34	33	GD1
BDO	36	35	NC	NC	36	35	BDO
RDO	38	37	GD0	RDO	38	37	GD0
LC	40	39	LD	LC	40	39	LD
LA	42	41	LB	LA	42	41	LB
CKA	44	43	STB	CKA	44	43	STB
GND	46	45	OE	GND	46	45	OE
GND	48	47	VCC	GND	48	47	VCC
GND	50	49	VCC	GND	50	49	VCC

6. Appearance Description



- ① : Power interface, can be accessed with 4.2V ~ 5.5V DC voltage ;
- ② : Gigabit Ethernet port, used to connect the sending card or receiving card, the same two network ports are interchangeable;
- ③ : Test button, used to test display brightness uniformity and display module flatness;
- ④ : 50 PIN HUB interface, install HUB board;
- ⑤ : Indicator light, display receiving card work state.

7. Technical Parameters

	Minimum	Typical	Maximum
Rated voltage(V)	4.2	5.0	5.5
Storage temperature(°C)	-40	25	105
Work environment temperature(°C)	-40	25	80
Work environment humidity (%)	0.0	30	95
Net weight (kg)	≈0.084		
Certificate	CE, FCC, RoHS		

Precautions

- 1) ensure the system long-term stable running, please keep to use the standard 5V power supply voltage.
- 2) Different production batches, color appearance and labels may be different.