

OPT SHR Machine Manual

User' s manual



model: RL- B01

CONTENTS

CHAPTER 1	Product construction and accessories	3
CHAPTER 2	Interface	4
CHAPTER 3	Operation	
3.1	Function adjustment reference	6
3.2	Parameter adjustment reference	8
3.3	Operation method reference	8
3.4	Operating instructions	9
CHAPTER 4	Post-treatment operation	10
CHAPTER 5	Maintenance	
5.1	Daily maintenance	11
5.2	Troubleshooting guide	12
5.3	After sales and maintenance	13

Thank you very much for purchasing this beauty instrument.

- Please read this instruction manual carefully before using the product to ensure correct use. In particular, be sure to read "Safety Precautions" before use to ensure safe use. After reading, please keep it in a safe place for inspection when necessary.
- Subject to technical changes without notice.

CHAPTER 1 Product construction and accessories



- ① 8 inch touch screen
- ② Operation handle
- ③ Emergency stop switch
- ④ Key switch
- ⑤ Water inlet
- ⑥ Overflow
- ⑦ Drain
- ⑧ Power connector
- ⑨ Power switch



Accessories list

Device name	Quantity	Remark
Host	1	
Eye protection	1	
Protection goggle	1	
Switch key	2	
Power cable	1	
Water funnel	1	
Pedal	1	
Filter		Multiple choices

WARNING

- ◆ Please read this manual carefully and become familiar with the safety requirements and operating process before using or operating the equipment.
- ◆ Take the key away to avoid dangerous after using.
- ◆ The machine must be operated by those people who have been trained.
- ◆ The machine can't be repaired by unprofessional person.

2.1 INSTALLER:

1. Placement: The operating room or treatment room where the room temperature of the instrument is 22-28 ~ C and the humidity is not more than 70%.

2. Water injection: Purified water is injected through the water injection port (no mineral water and tap water are used, otherwise scales are easily formed on the operating handle and the internal surface of the machine, which affects the operation efficiency and reduces the service life!) 3 liters to ensure the needs of the instrument. Until the overflow overflows.

3. Installation: Connect the power cord and foot switch as required without any internal leakage or leakage.

A. Installation of the foot switch: Be sure to make the opening of the switch upward, and tighten it clockwise after alignment.

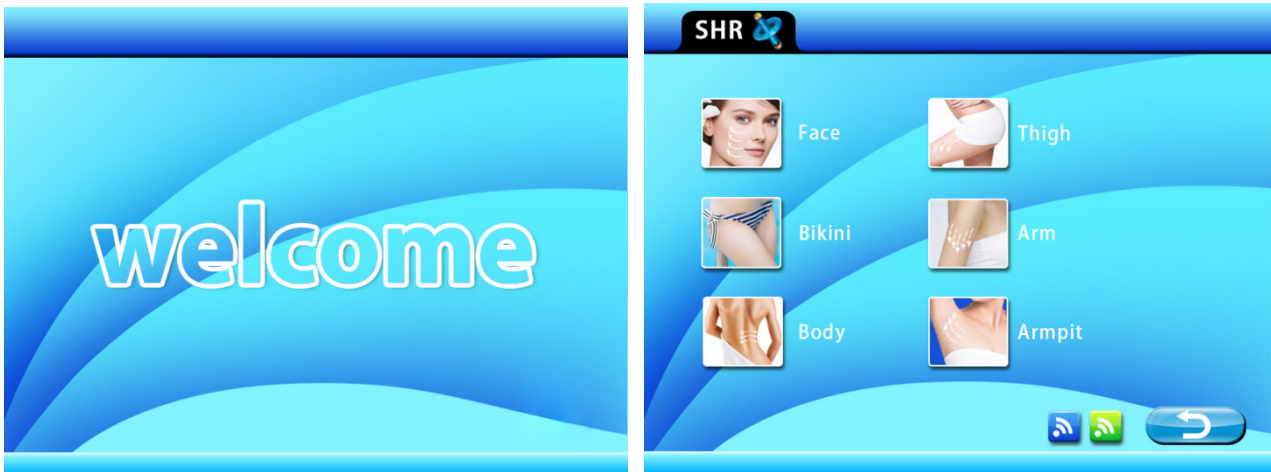
B. Installation of power socket: Insert one end into the tail of the instrument by aligning the interface with the direction of the socket, and insert a single-phase three-wire power socket with a good ground at one end.

4. Power on: After connecting the instrument according to the above requirements, insert the key to turn it right to the open position, and the whole machine will be powered on immediately. At this time, the optical head will have an infrared indicator light display for easy operation.

Inspection: comprehensively check whether the instrument has been installed in accordance with the above installation requirements and ensure that the water level and working environment required for the instrument to work properly are suitable.

2.2 INTERFACE INTRODUCTION

Start the machine to display the welcome interface (Pic.1), press any key to enter the treatment interface.



After entering the treatment mode selection interface. Press the "Work" key to trigger the optical head and automatically charge the capacitor. When the charging is completed, you can enter the treatment state. Press the "Stop" key to close the optical head and enter the standby state.

Treatment record: display (3 E-light treatment modes) the current treatment record, which can record different treatment parameters, which is convenient for treating different patients. Click to change the treatment record. There are 3 options;

Refrigeration adjustment: It is used to adjust the cooling temperature of the bald head. It can be adjusted in 5 levels. The more blue snowflakes, the stronger the refrigeration, the blue snowflakes disappear, and the refrigeration is turned off.

Back button: Used to return to the treatment mode selection menu. It is not available when it is gray (treatment status);

OPT treatment interface



E-Light treatment interface

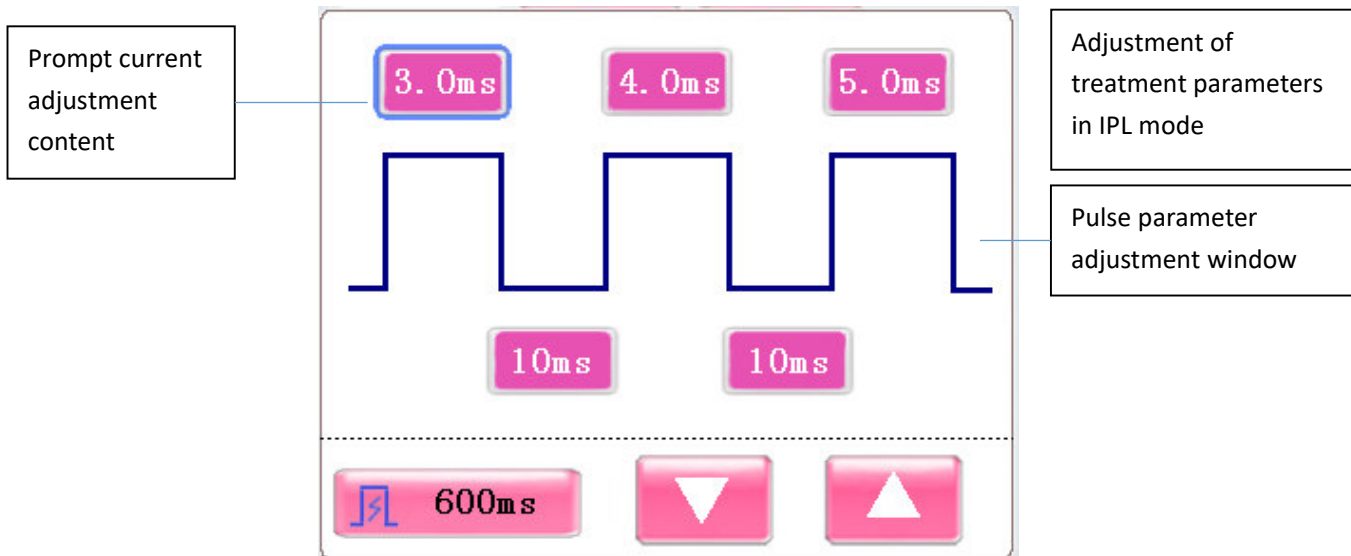


CHAPTER 3 Operation

3.1 Function adjustment reference:

E-Light mode parameter adjustment

In the treatment interface, we can adjust the treatment parameters. Click the parameter to be modified in the “Treatment Parameter Setting” interface, the corresponding treatment parameter will be selected, and the up and down arrows will appear at the same time. Store the value.



The treatment parameters represent the data that can be adjusted during the treatment. By adjusting the treatment parameters, we can change the energy, pulse width, and number of pulses output by the treatment bale to achieve different treatment effects.

There are 8 adjustable treatment parameters:



: Adjust the pulse interval of the treatment pulse, the adjustment range is (1 ~ 4S) seconds, just click to adjust.



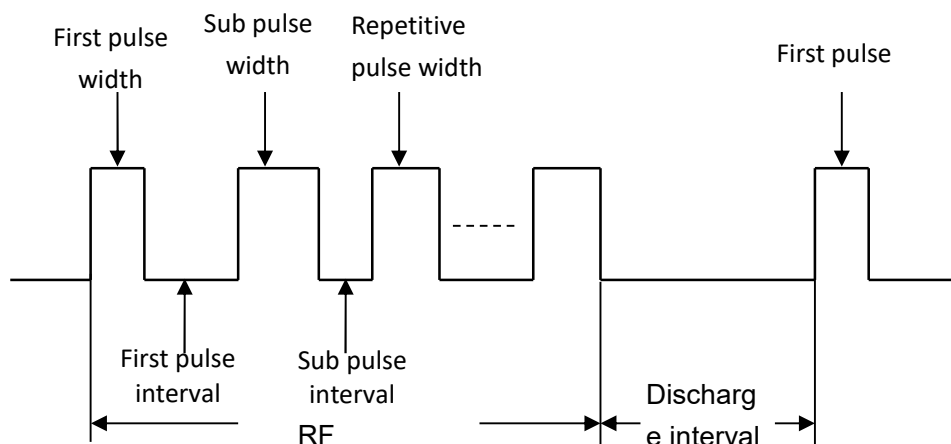
: Adjust the number of treatment pulses, the adjustment range (1 ~ 6), click directly to adjust;



: Adjust the action time of the radio frequency, the adjustment range is (50 ~ 1000) ms, you can adjust it by clicking directly. The unit is 50ms. The larger the number, the longer the action time of the RF. It is recommended to use between 300-900ms. Regulation.

- **First pulse width:** Adjust the pulse width of the first pulse, the pulse width when single pulse is applied, the width of the first pulse when multi-pulse is applied, adjustment range (1 ~ 10ms), 0.1ms step.
- **First pulse interval:** Adjust the delay between the first pulse and the auxiliary pulse (second pulse), the adjustment range (1 ~ 100ms), 1ms step.
- **Secondary pulse width:** Adjust the pulse width of the auxiliary pulse (the second pulse). It is not displayed when the single pulse is applied. The adjustment range (1 ~ 10ms) is 0.1ms step.
- **Secondary pulse interval:** Adjust the delay between the auxiliary pulse (the second pulse) and the repetitive pulse (the third and subsequent pulses). It is not displayed when a single pulse is used. The adjustment range (1 ~ 100ms), 1ms step.
- **Repetitive pulse width:** Adjust the pulse width of the repetitive pulse (the third pulse and the following pulses). It is not displayed when a single pulse is applied. The adjustment range (1 ~ 10ms) is 0.1ms steps.

Pulse output diagram



3.2 Parameter adjustment reference:

3.2.1. Reference for hair removal parameters

For hair removal parameters, IPL is set to 18J / CM² and RF is set to 05. Due to different patients and conditions, the IPL can be adjusted finely around 1-3J.

3.2.2. Freckle removal parameter reference

Freckle removal parameters, IPL is set to 10J / CM², RF is set to 05. Due to different patients, the situation is different, IPL can be fine-tuned around 1-3J.

3.2.3. Skin rejuvenation parameter reference

Skin rejuvenation parameters, IPL is set to 5J / CM², RF is set to 05. Due to different patients, the situation is different, you can fine-tune about IPL 1-2J.

3.2.4. Reference for Acne Removal Parameters

For acne removal parameters, the IPL is set to 8J / CM² and the RF is set to 05. Due to different patients and conditions, you can fine-tune the IPL around 1-2J.

3.2.5. Reference for removing bloodshot parameters

For removing bloodshot parameters, the IPL is set to 5J / CM², and the RF is set to 5. Due to different patients and conditions, the IPL can be fine-tuned around 1-2J.

3.2.6. OPT-SHR Hair Removal Parameter Adjustment

OPT-SHR Hair removal parameters, Energy is set to 15J / CM². Due to different patients, the situation is different, you can fine-tune IPL 1-2J.

3.3 Operation method reference

● Hair removal:

1. Trim hair (1-2 mm)
2. Clean
3. Apply a thin layer of cold gel
4. Use a red hair removal gun tip (the tip of the gun is lightly attached to the epidermis, and one part is hit next to the other.
5. Hit 3 to 5 times (you can see the hair curls or smell a scorch smell)
6. Apply a thick layer of cold gel and clean it in about 10 minutes (apply repair growth factor)

● Freckle:

1. Clean the skin
2. Apply cold gel evenly on the operation site

3. The gun tip is pressed against the epidermis of the skin, and it is hit next to the spot.
4. Beat back and forth for more than 3 times, until you see the pigment deepening and mention the epidermis is better 5

5. Apply a thick layer of cold gel and clean it in about 10 minutes (apply repair growth factor)

- **Whitening and rejuvenating:**

1. Clean the operation site
2. Both apply cold gel
3. The gun tip is pressed against the epidermis of the skin, one part next to another.
4. Hit your chin to your forehead, and hit back and forth 3 to 5 times.
5. Apply a thick layer of cold gel and clean it in about 10 minutes (apply repair growth factor)

- **Acne:**

1. Clean operation parts
2. Both apply cold gel
3. The gun head is pressed against the skin and epidermis, one part next to the other, from the chin to the cheek and then to the forehead, and back and forth 3 to 5 times.
4. It is better to have reddish acne
5. Apply a thick layer of cold gel and clean it in about 10 minutes (apply repair growth factor)

- **Dilute red bloodshot:**

1. Clean operation parts
2. Both apply cold gel
3. The gun head is pressed against the skin and epidermis, one part next to the other, from the chin to the cheek and then to the forehead, and back and forth 3 to 5 times.
4. It is better that the red blood vessels become deep red or purple.
5. Apply a thick layer of cold gel and clean it in about 10 minutes (apply repair growth factor)

Remarks: Do not touch hot water, do not expose to the sun, do not use the sauna, and repair the growth factor to repair the skin to avoid the phenomenon of pigment reflux.

3.4 Operating instructions

- During the treatment of freckles, the customer has a tingling sensation (within the client's tolerance), the skin is slightly red, and it disappears on its own for about 10 minutes (individual redness lasting about 30 minutes is also normal)

- The dermis and liver spots are the most difficult to do in beauty, and the treatment cycle is relatively long. OPT freckle removal is currently the best method for removing dermis and liver spots. It is ideal for 4-6 times with oxygen injection treatment.
- The red blood vessels have clear blood vessels and the purple color effect is the best. If there is no response, the red blood vessels are usually cured about 4 times.
- Large pores, blackheads, acne, and acne are generally caused by strong secretion of oil, which is caused by improper cleaning. Blackhead oil hatches 2-3 days after OPT and disappears about 7 days.
- When doing epilation, there is a slight tingling sensation in the armpit hair and the hairline (within the customer's tolerance), with a slight scorching odor, and a slight tingling sensation in the upper and lower extremity epilation. That's because there are 3 cycles of hair growth, namely: growth period-maturity period-dormant period, only the hair in the growth period can be effectively removed, so it takes 3-4 times for hair removal.
- Sensitive skin, dark complexion, 24-48 hours skin is prone to delayed reactions, can not increase energy at will because the reaction was not obvious at that time.
- The spot arrangement during treatment is performed sequentially with each spot pressing one third of the other spot.
- For heavy spots and dark skin, adjust parameters or energy at any time. When treating the forehead or mouth, the parameters and energy must be adjusted downwards.
- During the treatment, the guests should be constantly asked how they feel and adjust their energy appropriately.
- After the treatment, apply the cold gel on the face for 20-30 minutes, and wash it off if there is no discomfort.

CHAPTER 4 Post-treatment operation

4.1 Contraindications:

- Pregnant women, light allergies
- Those who have recently taken allergic foods or drugs (such as celery, vitamin A acid, etc.)
- Patients with a cardiac pacemaker or defibrillator
- Patients with damaged skin at the treatment site
- Patients with diabetes, heart disease, hypertension, epilepsy
- Patients suspected of having skin cancer.

4.2 Postoperative contraindications:

- Fasting spicy foods, seafood products, pigmented foods, non-smoking alcohol;
- Do not use irritating skincare products (such as soap, facial cleanser) for 3 days after treatment, and do not use functional freckle products;
- Pay attention to sun protection, use sunscreen (SPF20) or more;
- It is recommended to use pure natural skin care products after surgery;
- If there are crusts on the face, they should not be peeled off by hand, but need to be metabolized by themselves;
- Wash your face with cold water within 10 days. You are not allowed to use the sauna or steam the face. After 10 days, you can do facial treatments.

4.3 Delayed reaction and processing method:

- Light spot print: Apply with light conditioning cream three times a day;
- Blisters: You can use a disposable needle to remove the exudate, and apply light conditioning cream after cleaning with physiological saline, three times a day;
- Redness and swelling of the skin: If you are a customer, you can spray cold for 15-30 minutes until the skin becomes red (for severe ones, you can use cold compress directly), and then apply a light conditioning cream: if you are a customer for skin rejuvenation and hair removal, Can be applied in cold water and then rubbed with natural skin care products;
- The use time of light care products depends on the customer's skin repair conditions. In the later period, do sun protection (more than 20 times), hydrating, and moisturizing (natural natural pure plant care products).

CHAPTER 5 Maintenance

5.1 Daily maintenance

- The instrument should be placed stably in a clean operating room or treatment room at room temperature of 10-28 degrees. When the humidity in the air is too high, the inside of the instrument will dew, which will affect the efficiency of the optical system. In severe cases, it will also damage the components of the machine.
- This machine belongs to high peak power optical equipment. The installation and use environment requires clean and low dust, otherwise the dust will cause irreversible damage or even damage to the optical components inside the instrument.

- Please choose an appropriate position so that air can flow freely through the ventilation holes of the machine to prevent the machine from overheating. The machine should not be placed near heat sources such as radiators, heat ventilation ducts, or in direct sunlight, high humidity, or where mechanical vibration occurs.
- Be sure to protect the display during installation to prevent scratches or even damage
- Connection of the handle: Align the connection part of the handle with the back of the instrument and insert it directly with force (you hear a "click", and there is no gap when shaking, it means the installation is complete)
- After using the instrument for a period of time, the purified water needs to be replaced in about seven to ten days. After extracting 2/3 of the volume of the water tank, refill the same volume of pure water, and then press the pre ignition key after flowing for 5 minutes.

5.2 Troubleshooting guide

5.2.1 Cannot boot

- Whether the power supply is powered and the power plug of the machine is plugged in.
- The red emergency stop switch is not in the on position. Please rotate the emergency stop switch to the right to the raised position.
- Check whether the fuse in the fuse holder is intact. If it is burnt, please replace it immediately.

5.2.2 Water does not flow after the instrument is switched on

1. Failure phenomenon:

Water does not flow or flow is smooth after turning on the machine. In order to ensure the transportation safety of the instrument, we adopt the closed transportation method, that is, only one fifth of the volume of water in the water tank is retained, and the water tank injection port is screwed with a non-perforated water tank cover to prevent the instrument from leaking during transportation. When burning the key, the purple xenon lamp of the handle does not light up.

2. The correct approach:

Observe that the cooling water level is too low from the observation window, unscrew the non-perforated water tank cover, add cold water to the standard water level, and replace the perforated water tank cover, and place the laser gun handle below the height of the instrument. Turn on the instrument again, press Press the pre-ignition key. If you hear the sound of the sucker, then the key is intactly connected, and the water flow inside the instrument is normal and enters the standby state.

5.2.3 The instrument leaks water

- A. The handle is leaking.
- B. Water leakage caused by strong vibration during transportation.
- C. Water tank and pump are leaking.

In the above case, please send the instrument back to our company or make a claim to the shipping company immediately.

5.2.4 The energy of the instrument weakens during use

- A. Inspect the lens of the gun head for any foreign matter that may cause light blocking. If there are impurities, please wash with absolute ethanol.
- B. If the temperature of the operating handle feels hot, let the machine rest for 30 minutes or change the cooling water.
- C. Check whether the front mirror is intact and if it is broken. Please contact the manufacturer quickly.

5.3 After sales and maintenance

1. The instrument from the date of purchase (with notes) host warranty 12 months, 6 months (non-artificial phenomena) free repair instrument malfunction. More than warranty period can also be responsible for maintenance, according to the regulations of the company to charge the cost of spare parts and consumables (transportation cost client). If need to supplement or purchase, please contact with the company.

2. For the following user personal causes of the fault, does not provide free maintenance warranty service:

- 1) to tear open outfit, modified the products caused by the fault;
- 2) the use of the company caused by the distribution of the adapter failure;
- 3) careless use, throw, drop caused by the fault;
- 4) the fault caused by the lack of reasonable maintenance;
- 5) not according to the instructions of the correct use and cause failure.

Product warranty

Product warranty card

The product name		The customer name	
Product model		phone number	
Purchase date		Contact address	
Maintenance date	The cause of the problem	Maintenance content	Maintenance people

Thanks for using our products! We will give you the best after sales service and technology solutions! Thanks again!