

Upper Control arms

2006+ Ram 1500 4WD Installation Instructions



1. Use a floor jack to raise the front of the vehicle, and place jack stands under the frame finish, removing the lug nuts and front wheel.

2. Disconnect ABS from Upper Control Arms.



3. Mark the control arm position. Before loosening any of nuts, you need to mark off the control arm's position.



4. Loosen the upper ball joint nuts until there is a visible gap between the nut and spindle.



5. Hit the knuckle with hammer on the side to separate the ball joint from the knuckle, but don't let the knuckle to pull out so far that the

shaft pulls out of the differential.



6. Loosen the control arm nuts on both sides.



7. Remove old control arms and then install new control arms. First, reinstall the control arm nuts on both sides.

8. Align castellated nut with hole in the ball joint and install cotter pin. DO NOT loosen the nut to get the cotter pin to align.



9. Reinstall ABS and front wheels.

10. We recommend that align after installing

IMPORTANT NOTE:

1: the parts packaged in opp bags as shown.

2: contact us for video if can't assemble these parts
(an easy work)

3: Important Tips on zerks

No. 1& No. 2 zerks can fill in grease after some use (pre-greased when you get it)

No.3 zerk just a decoration, sealed and pre-greased, so
Do not try to fill in anymore, or you will damage it

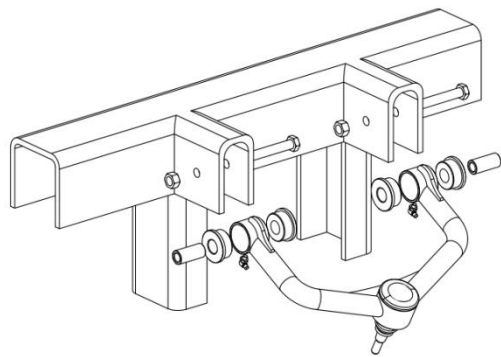
4: Do not torque the zerk too tight and It can turns to different directions(not must vertical)

---the right and left zerks no need to the same directions

5: Warranty of the ball joints and bushings

We support once chance to exchange parts for free within 1 year if the control arms go wrong.

6: If you have any questions ,be feel free to contact us.



Thank you for the purchases!

It is our honor to help you. So please write us about what you think and what you need.

We will reply you ASAP and try our best to help you solve the problem.

Please feel free to contact us via eBay message or Amazon tools.

E-mail:info@ksppperformance.com

Amazon:

1. Visit www.amazon.com/your-orders
2. Find your product
3. Click on "contact seller"
4. Include your order #

eBay:

1. Visit www.ebay.com
2. Click on "My eBay"
3. Find your product
4. Click on "More actions"
5. Click on "Contact seller"