

Upper Control Arms Installation Instructions



This control arms # 293055 fit the following vehicle,

GMC Yukon 1500 2007-2016

GMC Yukon XL 1500 2007-2016

GMC Sierra 1500 New Body 2007-2016

Chevrolet Avalanche 1500 2007-2016

Chevrolet Tahoe 1500 2007-2016

Chevrolet Suburban 1500 2007-2016

Chevrolet Silverado 1500 New Body 2007-2016

Cadillac Escalade 2007-2016

1. Use a floor jack to raise the front of the vehicle, and place jack stands under the frame. Finish removing the lug nuts and wheel.

2. Remove front shock absorbers.



3. Disconnect ABS and brake line mounting brackets from Upper Control Arms and spindles.



4. Mark the control arm position. Before loosening any of nuts, you need to mark off the control arm's position.



5. Loosen the upper ball joint nuts until there is a visible gap between the nut and spindle.



6. Using a hammer, hit the side of the knuckle attached to the upper control arm's ball joint. Continue hitting the knuckle until the ball joint has been freed.



7. Loosen the control arm nuts on both sides.



8. Remove old Control arms and then install new control arms. Adjust the control arm alignment to the marked area. Mount the control arm ball joint to the hub assembly.



9. Reinstall all others.

10. We recommend that align after installing.

1: the parts packaged in opp bags as shown

2: contact us for video if can't assemble these parts (an easy work)

3: Important Tips on zerks

No. 1& No. 2 zerks can fill in grease after some use (pre-greased when you get it)

No.3 zerk just a decoration, sealed and pre-greased, so

Do not try to fill in anymore, or you will damage it

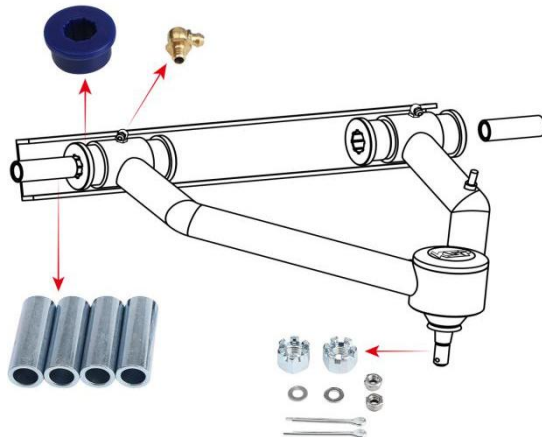
4: Do not torque the zerk too tight and It can turns to different directions(not must vertical)

---the right and left zerks no need to the same directions

5: Warranty of the ball joints and bushings

We support once chance to exchange parts for free within 1 year if the control arms go wrong.

6: If you have any questions ,be feel free to contact us. It is our honor to help you.



Thank you for the purchases!

It is our honor to help you. So please write us about what you think and what you need.

We will reply you ASAP and try our best to help you solve the problem.

Please feel free to contact us via eBay message or Amazon tools.

E-mail: info@ksperformance.com

Tel / Message: 818-666-8556

Amazon:

1. Visit www.amazon.com/your-orders
2. Find your product
3. Click on "contact seller"
4. Include your order #

eBay

1. Visit www.ebay.com
2. Click on "My eBay"
3. Find your product
4. Click on "More actions"
5. Click on "Contact seller"