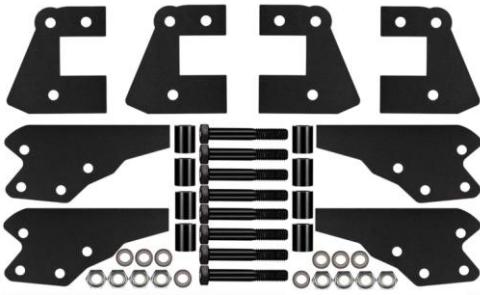


# LEVELING LIFT KITS

9K816



## Polaris Ranger leveling lift kits installation instructions

Please note that it is recommended that all kits be installed by a professional shop.

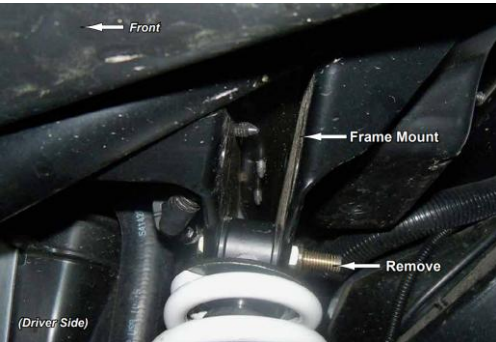
### FRONT

1. Raise front off ground; secure with jack stands.



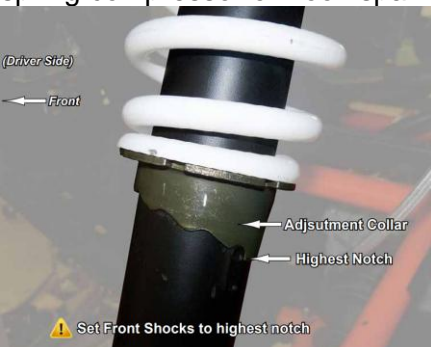
2. Remove wheels.

3. Disconnect the top of the shocks from the frame shock mount.

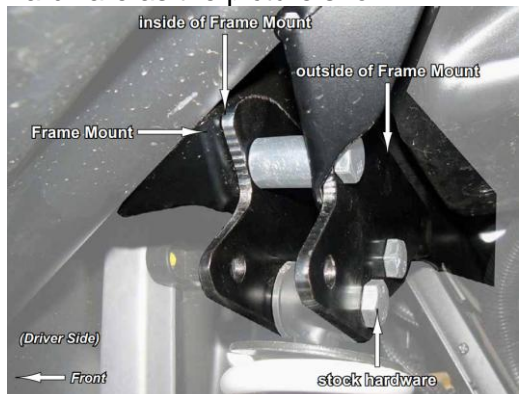


4. The factory shock is generally on the softest setting. Set adjustment collar on shocks so that notch is in highest position

(hardest setting) . You may need coil spring compressor or hook spanner wrench.



5. Install front brackets to frame mount with hardware as the picture shown.



6. Install shocks to front brackets with stock hardware.

7. Repeat for opposite side.

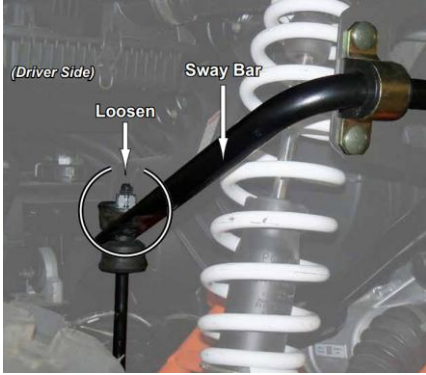
8. Tighten all hardware completely (make sure all the hardware tightened). Reinstall Wheels.

## REAR

1. Raise rear off ground; secure with jack stands.

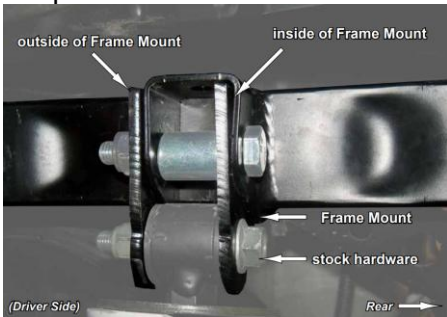
2. Remove wheels.

3. Loosen sway bar from sway bar links.



4. Remove shocks from frame mounts.

5. Install rear brackets with hardware as the picture shown.



**Thank you for the purchases!**

It is our honor to help you. So please write us about what you think and what you need.

We will reply you ASAP and try our overwhelming best to help you solve the problem. Please feel free to contact us via eBay message or Amazon tools.

Amazon:

1. Visit [www.amazon.com/your-orders](http://www.amazon.com/your-orders)
2. Find your product
3. Click on "contact seller"
4. Include your order #

6. Install shocks to rear brackets with stock



hardware.

7. Tighten sway bar to sway bar links.

8. Tighten all hardware completely.  
Reinstall Wheels.

We suggest that re-tightening all bolts and nuts on the lift kits after 100-200 miles of driving.



eBay:

1. Visit [www.ebay.com](http://www.ebay.com)
2. Click on "My eBay"
3. Find your product
4. Click on "More actions"
5. Click on "Contact seller"