



INSTALLATION INSTRUCTIONS

UNIVERSAL LADDER RACK

FORD E-SERIES / 2003- 2023 CHEVY EXPRESS

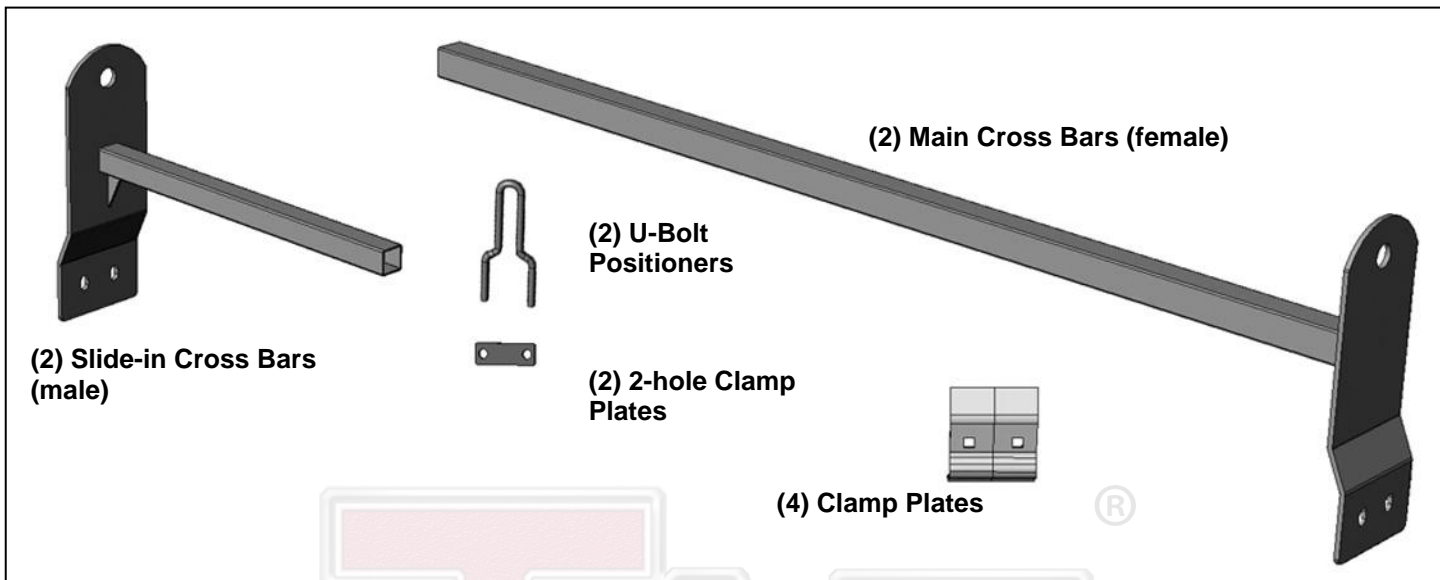
/2003- 2022 GMC SAVANA VANS W/GUTTERS BLK

PART# ULR-03B

TRUCK ACCESSORIES COMPANY

PARTS LIST:

2	Main Cross Bar (female)	8	10-1.5mm x 35mm Carriage Bolts
2	Slide In Adjustable Cross Bar (male)	2	10-1.5mm x 20mm Hex Locking Bolts
4	Clamping Plates	8	10mm x 30mm OD x 2.5mm Flat Washers
2	U-Bolt Ladder Positioner	12	10mm Lock Washers
2	2-hole Clamp Plates	12	10mm Hex Nuts



PROCEDURE:

- REMOVE CONTENTS FROM BOX. VERIFY ALL PARTS ARE PRESENT. READ INSTRUCTIONS AND WARNING ON PAGE 2 CAREFULLY BEFORE STARTING INSTALLATION. ASSISTANCE IS RECOMMENDED.**
- Select (1) Inner Cross Bar and (1) Clamp Plate, **(Figure 1)**. Attach the Clamp Plate to the outside of the upright on the Cross Bar with the included (2) 10mm x 35mm Carriage Bolts, (2) 10mm Flat Washers, (2) 10mm Lock Washers and (2) 10mm Hex Nuts. Leave hardware loose at this time.
- Repeat **Step 2** to assemble all (3) remaining Cross Bar inner and outer assemblies.
- Select (1) inner and (1) outer Cross Bar assembly. Slide (1) Inner Cross Bar into (1) Outer Cross Bar, **(Figure 2)**. Lock in place with (1) 10mm Hex Bolt, **(Figure 3)**. Do not tighten locking bolt at this time.
- Measure the width of the vehicle, rain gutter to rain gutter and transfer that measurement onto the complete Cross Bar assembly.
- With assistance, place the Cross Bar assembly into the desired position at the front of the vehicle.
NOTE: Install Cross Bars with the Outer Cross Bar toward the curb or right side of the vehicle. Snug but do not fully tighten all hardware at this time.
- Repeat **Step 5 & 6** to install the remaining Cross Bar assembly toward the rear of the vehicle.
- Select (1) Load Positioner U-Bolt and (1) 2-Hole Clamp Plate, **(Figure 4)**. Slide the U-Bolt down and over the Outer Cross Bar. Secure the Positioner to the Cross Bar tube with the 2-Hole Lock Plate, (2) 10mm Flat Washers, (2) 10mm Lock Washers and (2) 10mm Hex Nuts. Adjust Load Positioner location and tighten hardware.
- Verify that the Cross Bar assemblies are straight and square on the vehicle and fully tighten all hardware.
- Do periodic inspections to the installation to make sure that all hardware is secure and tight.

To protect your investment, wax this product after installing. Regular waxing is recommended to add a protective layer over the finish. Do not use any type of polish or wax that may contain abrasives that could damage the finish. Mild soap may be used to clean the Ladder Rack.

UNIVERSAL 2-CROSSBAR LADDER RACK
CLAMP-ON FOR MODELS WITH RAIN GUTTER

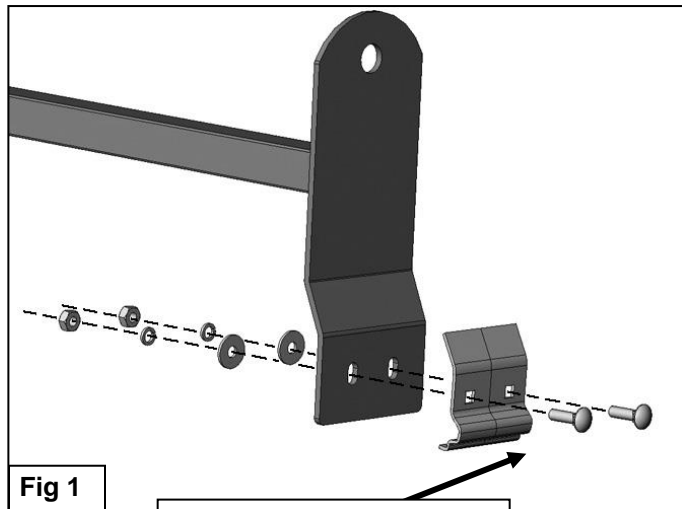
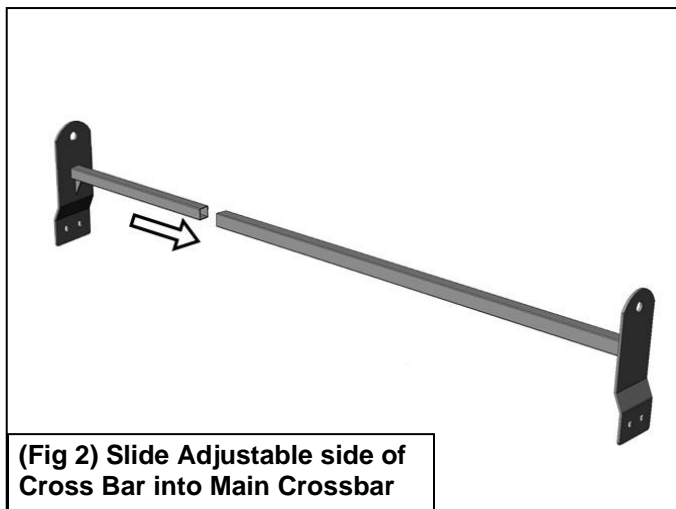


Fig 1

- (2) 10mm x 35mm Carriage Bolts
- (2) 10mm Flat Washers
- (2) 10mm Lock Washer
- (2) 10mm Hex Nuts



(Fig 2) Slide Adjustable side of Cross Bar into Main Crossbar

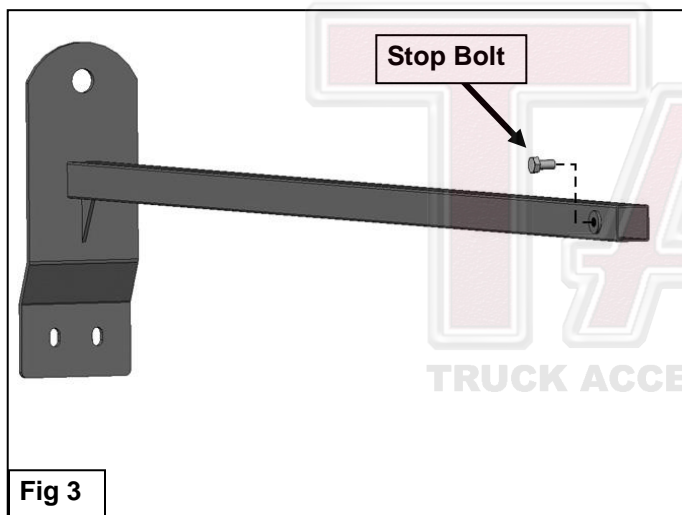


Fig 3

- U-Bolt
- 2-Hole Clamp Plate
- (2) 10mm Flat Washers
- (2) 10mm Lock Washer
- (2) 10mm Hex Nuts

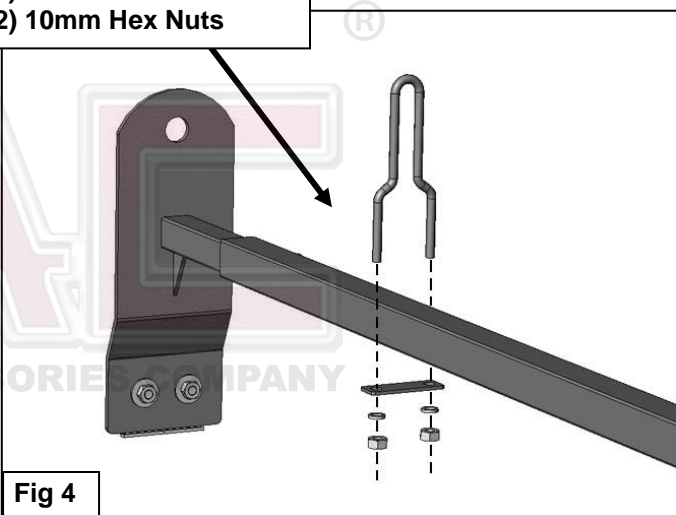


Fig 4

Read and understand all WARNINGS and INSTRUCTIONS before assembly and installation.

Ladder Rack has a maximum static load capacity of 600lbs. when properly installed and the load distributed evenly between two complete units. Load capacity is greatly affected by the design, strength and capacity of the vehicle, intended load and must be determined by installer/user.

Ladders must be secured per ANSI standard A14.2-1990 paragraph 8.4.4.

This product is primarily intended for transporting ladders. It can be used for transporting lumber, pipe and other similar materials when properly tied down and not exceeding capacity of the ladder rack or more importantly, the vehicle. It is the responsibility of the user of this rack to safely secure these materials to the rack before transporting. Any modifications made to this product for any other purpose other than its intended use could create a hazardous condition that can cause serious personal injury or property damage.

Any modification or unintended use of this product shall immediately void all manufacturer's warranties.

Manufacturer disclaims all liability for injuries to persons or property resulting from any modification to or unintended use of this product.