



ARROW SIDE STEP

PART #: TB-T31

FITS: 2010-Up Toyota 4Runner

Exclude: 2010-2013 4Runner **SR5** Models
 2010-Up 4Runner **Limited** Models
 2020-2021 4Runner **Nightshade Edition** Models
 2022-Up 4Runner **TRD Sport** Models



60-120 min





Cutting Not Required



Drilling Not Required

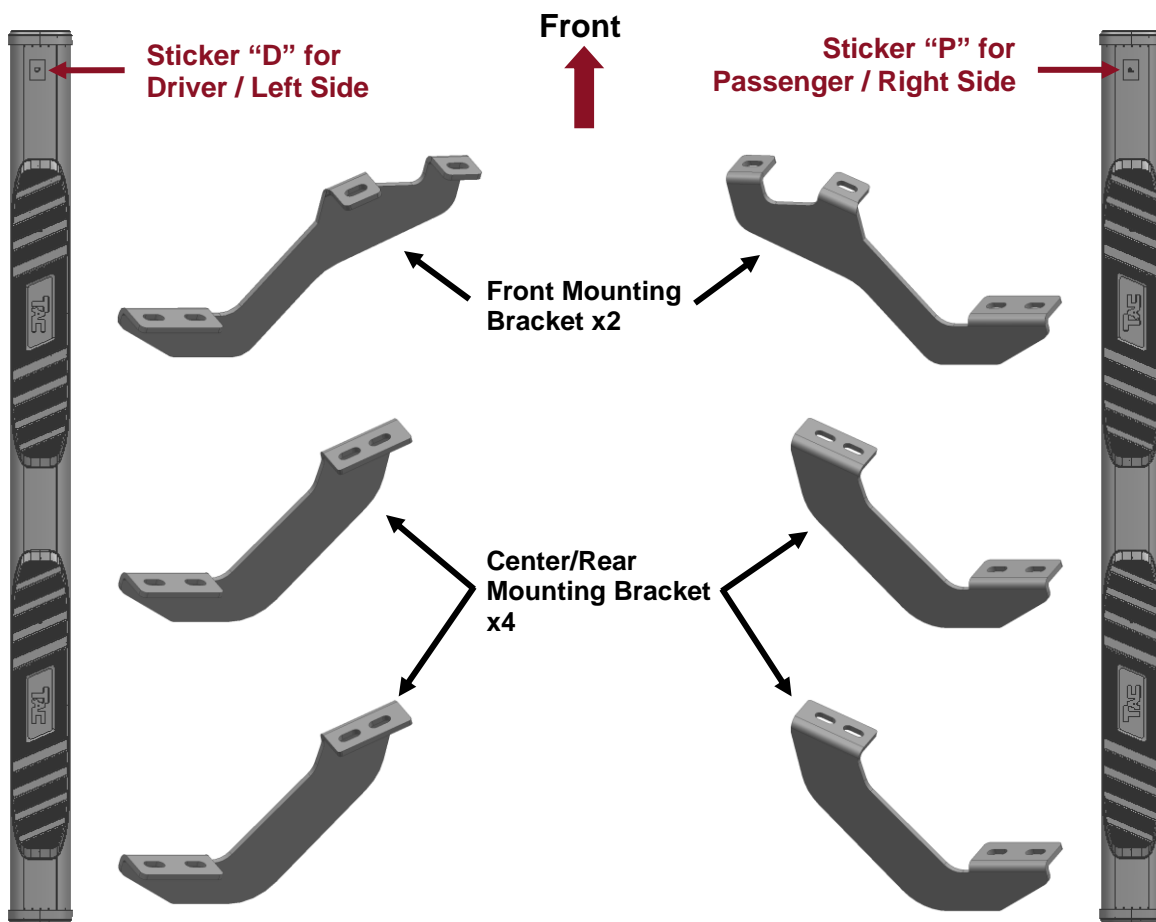
Torque & Tools

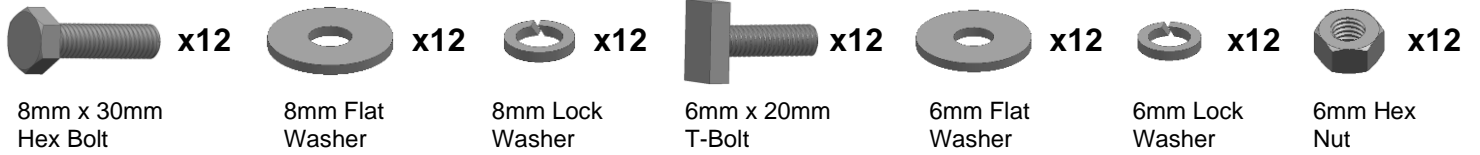
Fastener Size	Tightening Torque (ft-lbs)	Wrench Required	Allen Wrench Required
<input checked="" type="checkbox"/> 6mm	<input checked="" type="checkbox"/> 7-8.5		
<input checked="" type="checkbox"/> 8mm	<input checked="" type="checkbox"/> 18-20		
<input type="checkbox"/> 10mm	<input type="checkbox"/> 35-40		
<input type="checkbox"/> 12mm	<input type="checkbox"/> 60-70		
		<input checked="" type="checkbox"/> 10mm	<input type="checkbox"/> 4mm
		<input checked="" type="checkbox"/> 13mm	<input type="checkbox"/> 5mm
		<input type="checkbox"/> 16mm	<input type="checkbox"/> 6mm
		<input type="checkbox"/> 18mm	<input type="checkbox"/> 8mm

BEFORE INSTALLATION

REMOVE CONTENTS FROM BOX. VERIFY ALL PARTS ARE PRESENT. READ INSTRUCTIONS CAREFULLY BEFORE STARTING INSTALLATION. ASSISTANCE IS RECOMMENDED.

Part List

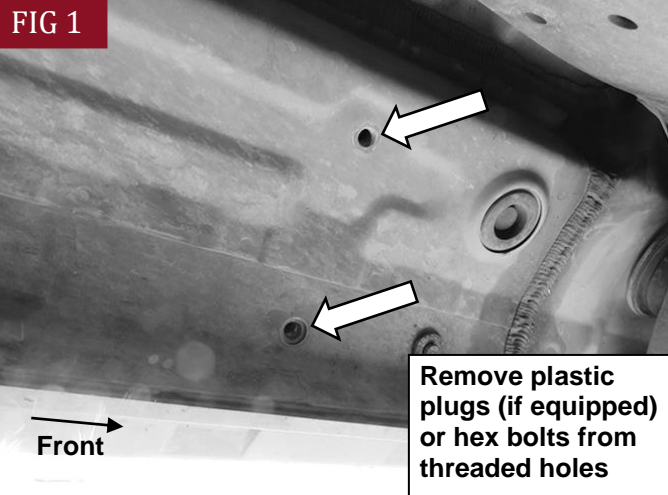




PLEASE NOTE THAT THE FOLLOWING PICTURES ARE BASED ON THE DRIVER SIDE INSTALLATION

STEP 1

Starting on the Driver/Left front of the vehicle, remove the plastic plugs, (or hex bolts), covering the threaded holes in the body panel, **(Fig 1)**.

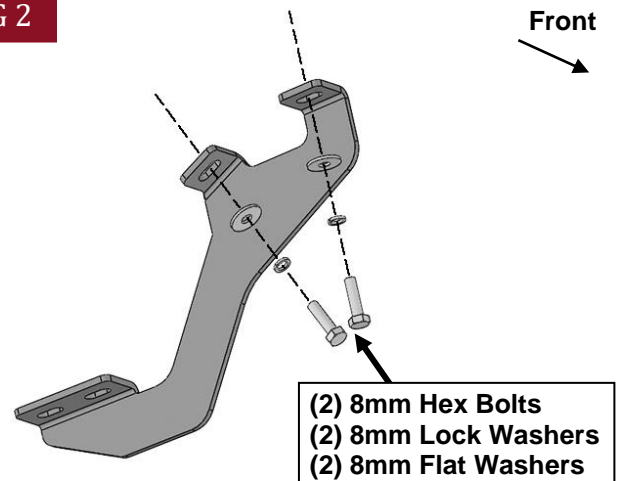


(Fig 1) Driver/Left front mounting location

STEP 2

Select the Driver/Left Front Mounting Bracket. Attach the Mounting Bracket to the front mounting location with (2) 8mm Hex Bolts, (2) 8mm Lock Washers and (2) 8mm Flat Washers, **(Fig 2)**. Do not tighten hardware.

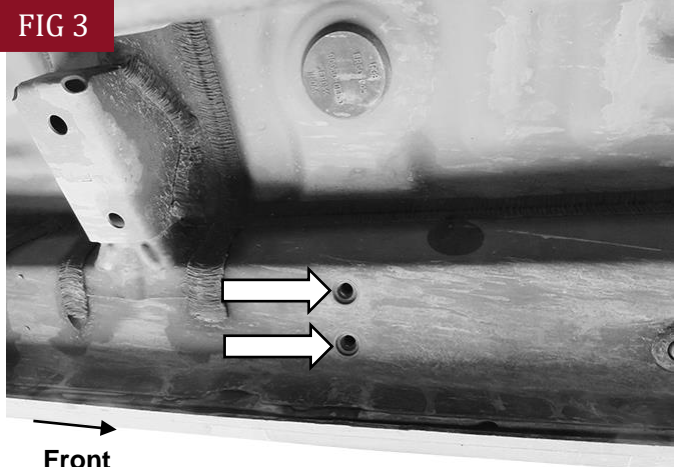
FIG 2



(Fig 2) Attach the Driver/Left Front Mounting Bracket to the front

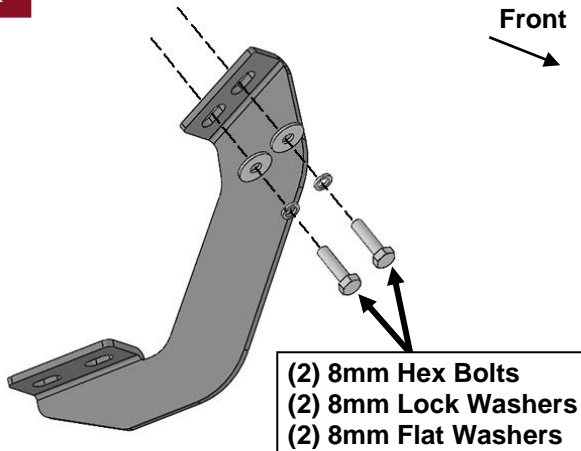
STEP 3

Move along the body panel to the center mounting location, **(Fig 3)**. Select (1) Center/Rear Mounting Bracket. Attach the Mounting Bracket to the center location with (2) 8mm Hex Bolts, (2) 8mm Lock Washers and (2) 8mm Flat Washers, **(Fig 4)**. Do not tighten hardware.



(Fig 3) Driver/Left center mounting location

FIG 4

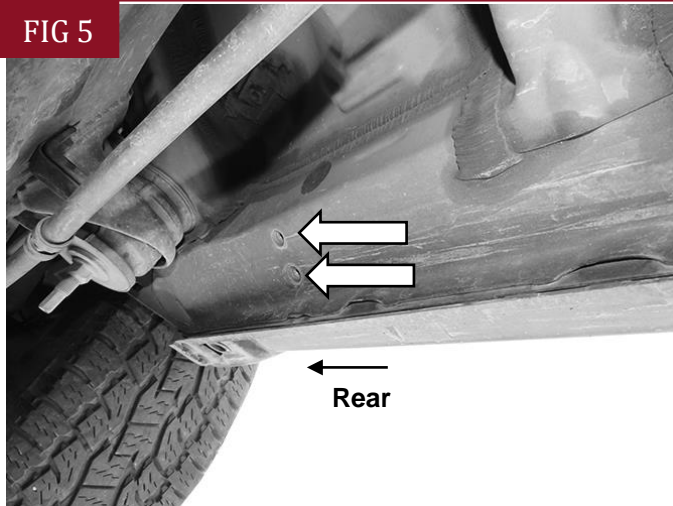


(Fig 4) Attach (1) Driver/Left Center/Rear Mounting Bracket to the center location

STEP 4

Repeat **Step 3** to attach the remaining (1) Center/Rear Mounting Bracket to the rear location, (**Figs 4 & 5**). Do not tighten hardware.

FIG 5

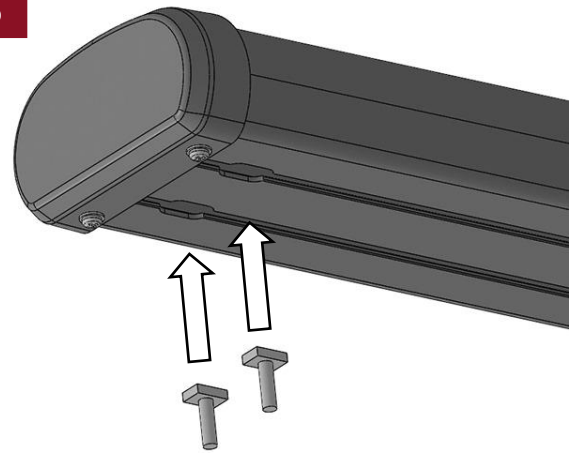


(Fig 5) Diver/Left rear mounting location

STEP 5

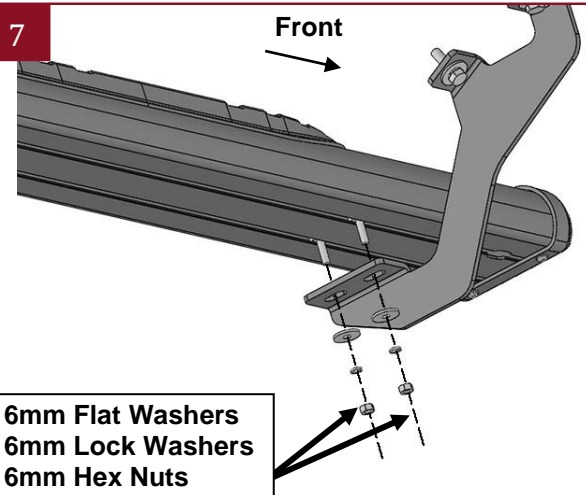
Select the Driver/Left Side Step. **NOTE: The Driver/Left Side Step will have a Sticker "D" on the front.** Insert (6) 6mm T-Bolts into the channels in the bottom of the Side Step, (**Fig 6**), (3 T-Bolts per channel). Attach the Side Step to the (3) Mounting Brackets with (6) 6mm Flat Washers, (6) 6mm Lock Washers and (6) 6mm Hex Nuts, (**Fig 7**). Do not tighten hardware.

FIG 6



(Fig 6) Insert (6) 6mm T-Bolts into the channels in the bottom of the Side Step, (3 T-Bolts per channel)

FIG 7



(Fig 7) Attach the Driver/Left Side Step to the (3) Mounting Brackets

STEP 6

Level and adjust the Side Step and fully tighten all hardware.

STEP 7

Repeat **Steps 1-6** to attach the Passenger/Right Side Step.

STEP 8

Do periodic inspections to the installation to make sure that all hardware is secure and tight.

Attention

To protect your investment, do not use any type of polish or wax that may contain abrasives that could damage the finish.

Mild soap may be used also to clean the Side Steps.