



ARROW SIDE STEP

PART #: TB-N25

FITS: 2004-Up Nissan Titan Crew Cab
2016-Up Nissan Titan XD Crew Cab



60-120 min



Cutting Not Required



Drilling Not Required

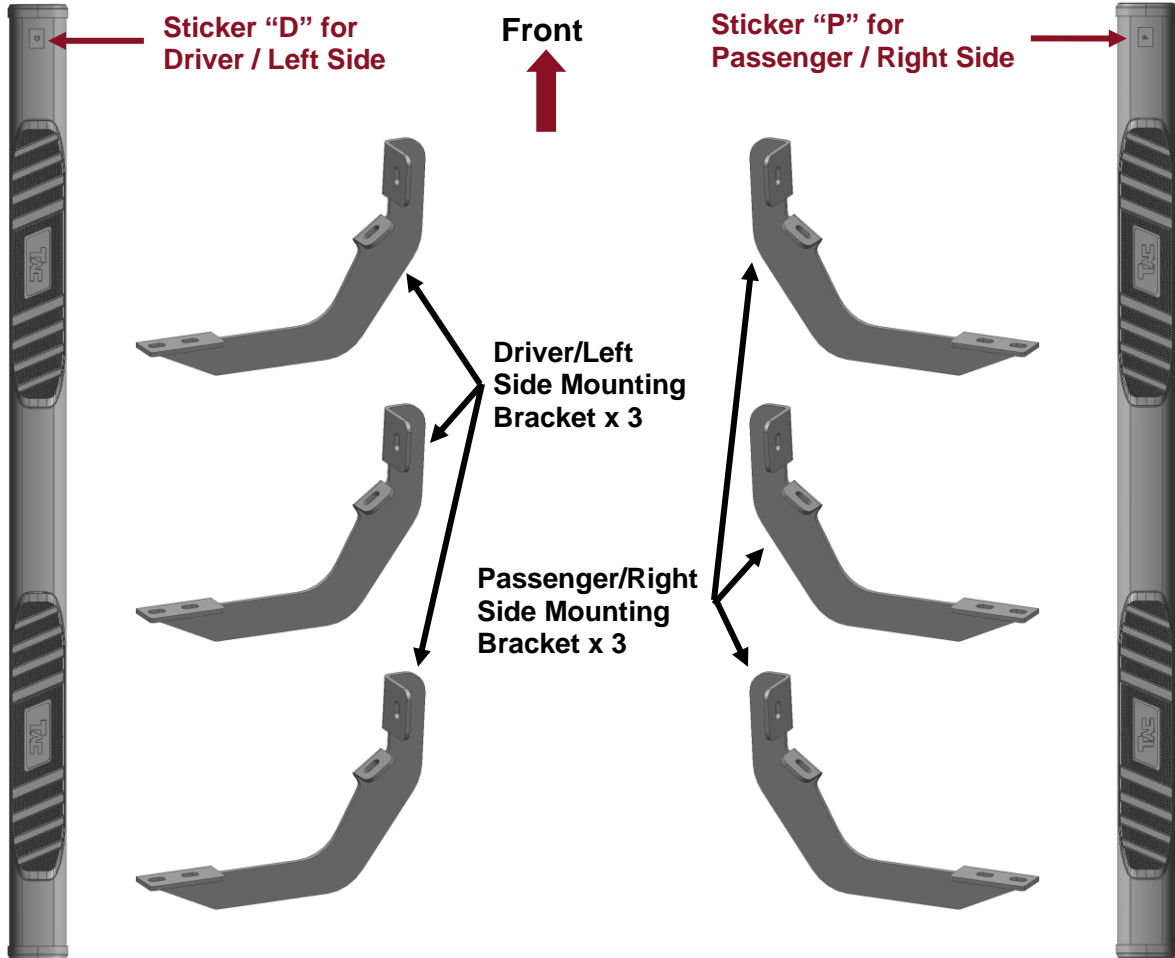
Torque & Tools

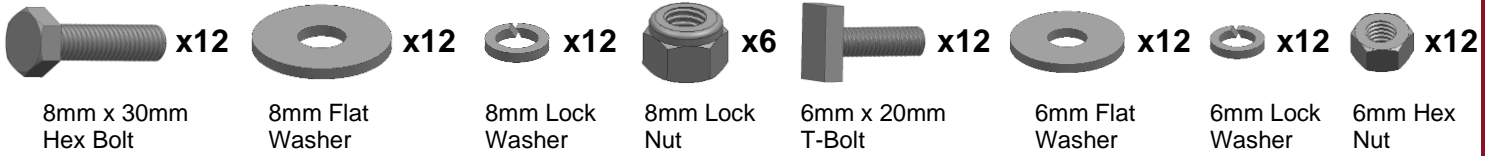
| Fastener Size | Tightening Torque (ft-lbs) | Wrench Required | | Allen Wrench Required | |
|---|---|-----------------|--|-----------------------|------------------------------|
| | | | <input checked="" type="checkbox"/> 10mm | | <input type="checkbox"/> 4mm |
| <input checked="" type="checkbox"/> 6mm | <input checked="" type="checkbox"/> 7-8.5 | | <input checked="" type="checkbox"/> 13mm | | <input type="checkbox"/> 5mm |
| <input checked="" type="checkbox"/> 8mm | <input checked="" type="checkbox"/> 18-20 | | <input type="checkbox"/> 16mm | | <input type="checkbox"/> 6mm |
| <input type="checkbox"/> 10mm | <input type="checkbox"/> 35-40 | | <input type="checkbox"/> 18mm | | <input type="checkbox"/> 8mm |
| <input type="checkbox"/> 12mm | <input type="checkbox"/> 60-70+ | | | | |

BEFORE INSTALLATION

REMOVE CONTENTS FROM BOX. VERIFY ALL PARTS ARE PRESENT. READ INSTRUCTIONS CAREFULLY BEFORE STARTING INSTALLATION. ASSISTANCE IS RECOMMENDED.

Part List

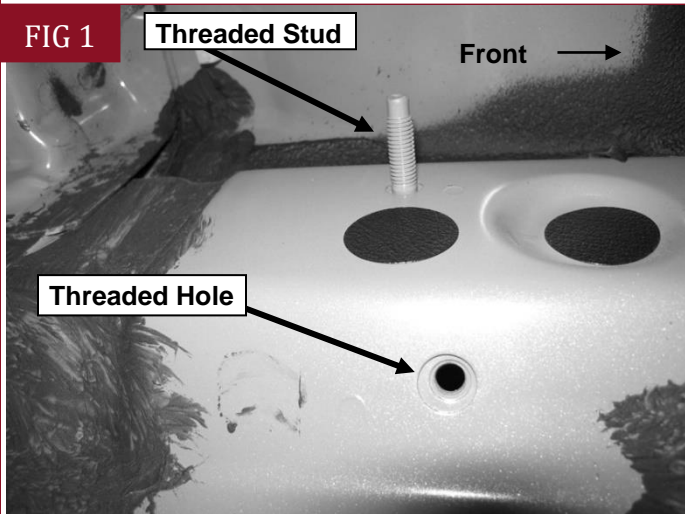




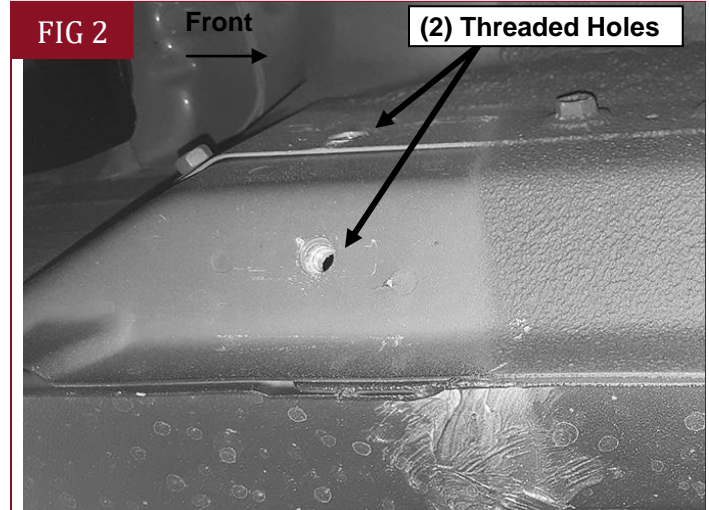
PLEASE NOTE THAT THE FOLLOWING PICTURES ARE BASED ON THE DRIVER SIDE INSTALLATION

STEP 1

Start installation at the front of the Driver/Left side of the vehicle and locate the factory threaded holes or stud located on the side of the inner body panel, **(Figs 1 & 2)**. There are (4) mounting locations along the body panel. Bracket installation will use the 1st, 2nd and 4th mounting locations. **NOTE:** Remove the plastic plug or any insulation on the side panel to locate the threaded holes.



(Fig 1) Up to 2015 driver side rear mounting location pictured. Note: Remove plastic plugs to locate factory threaded holes



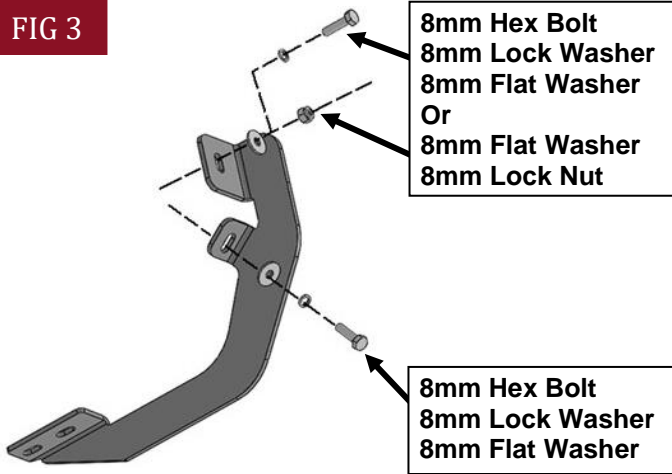
(Fig 2) 2016-on driver side rear mounting location pictured. Note: two factory threaded holes only

STEP 2

Select (1) Driver/Left Mounting Bracket. Attach the Bracket to the mounting location with:

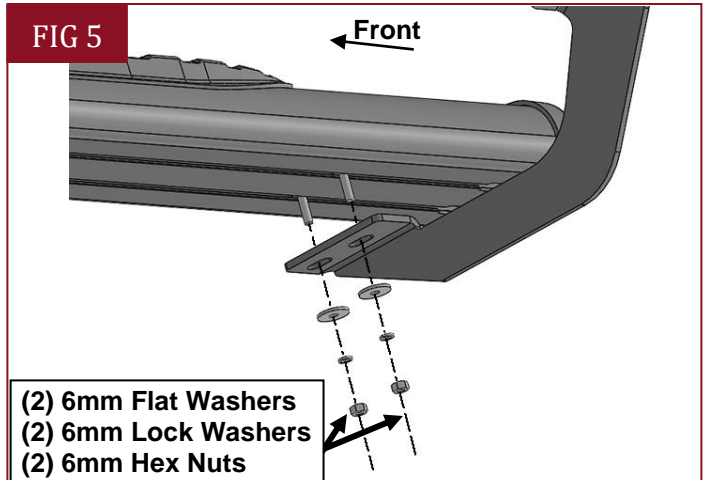
- a. **Models with threaded stud:** Attach Bracket to upper stud with (1) 8mm Flat Washer and (1) 8mm Nylon Lock Nut. Next, use (1) 8mm Hex Bolt, (1) 8mm Lock Washer and (1) 8mm Flat Washer to attach the Bracket to the lower threaded insert hole on the body panel, **(Fig 3)**. Do not tighten hardware at this time.
- b. **Models without threaded stud:** Attach Bracket to the two threaded holes with (2) 8mm Hex Bolt, (2) 8mm Lock Washer and (2) 8mm Flat Washer, **(Fig 3)**. Do not tighten hardware at this time.

FIG 3



(Fig 3) Driver/Left Mounting Bracket installation

FIG 5



(Fig 5) Attach the Driver/Left Side Step to the Mounting Brackets

STEP 3

Repeat **Steps 1 & 2** to install the Mounting Brackets on center and rear locations.

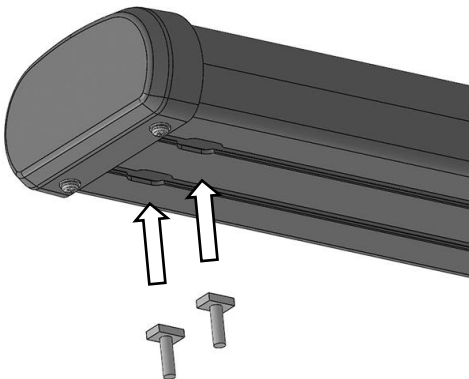
STEP 5

Level and adjust the Side Step and fully tighten all hardware.

STEP 4

Select the Driver/Left Side Step. Insert (6) 6mm T-Bolts into the slots underneath the Side Step (**Fig 4**). **NOTE:** The Driver/Left Side Step will have a **Sticker "D"** on the front. **IMPORTANT:** Do not slide the Side Step front to back or damage to the finish may result. Attach the Side Step to the (3) Mounting Brackets with (6) 6mm Flat Washers, (6) 6mm Lock Washers, and (6) 6mm Hex Nuts (**Fig 5**). Do not tighten hardware.

FIG 4



(Fig 4) Insert (6) 6mm T-Bolts into the channels in the bottom of the Side Step, (3 T-Bolts per channel)

STEP 6

Repeat **Steps 1—5** to attach the Passenger/Right Side Step.

STEP 7

Do periodic inspections to the installation to make sure that all hardware is secure and tight.

Attention

To protect your investment, do not use any type of polish or wax that may contain abrasives that could damage the finish.

Mild soap may be used also to clean the Side Steps.