



ARROW SIDE STEP

PART #: TB-F14

FITS:

2015-Up Ford F150 Super Cab

2017-Up Ford F250/F350/F450/F550 Super Duty Super Cab



60-120 min





Cutting Not Required



Drilling Not Required

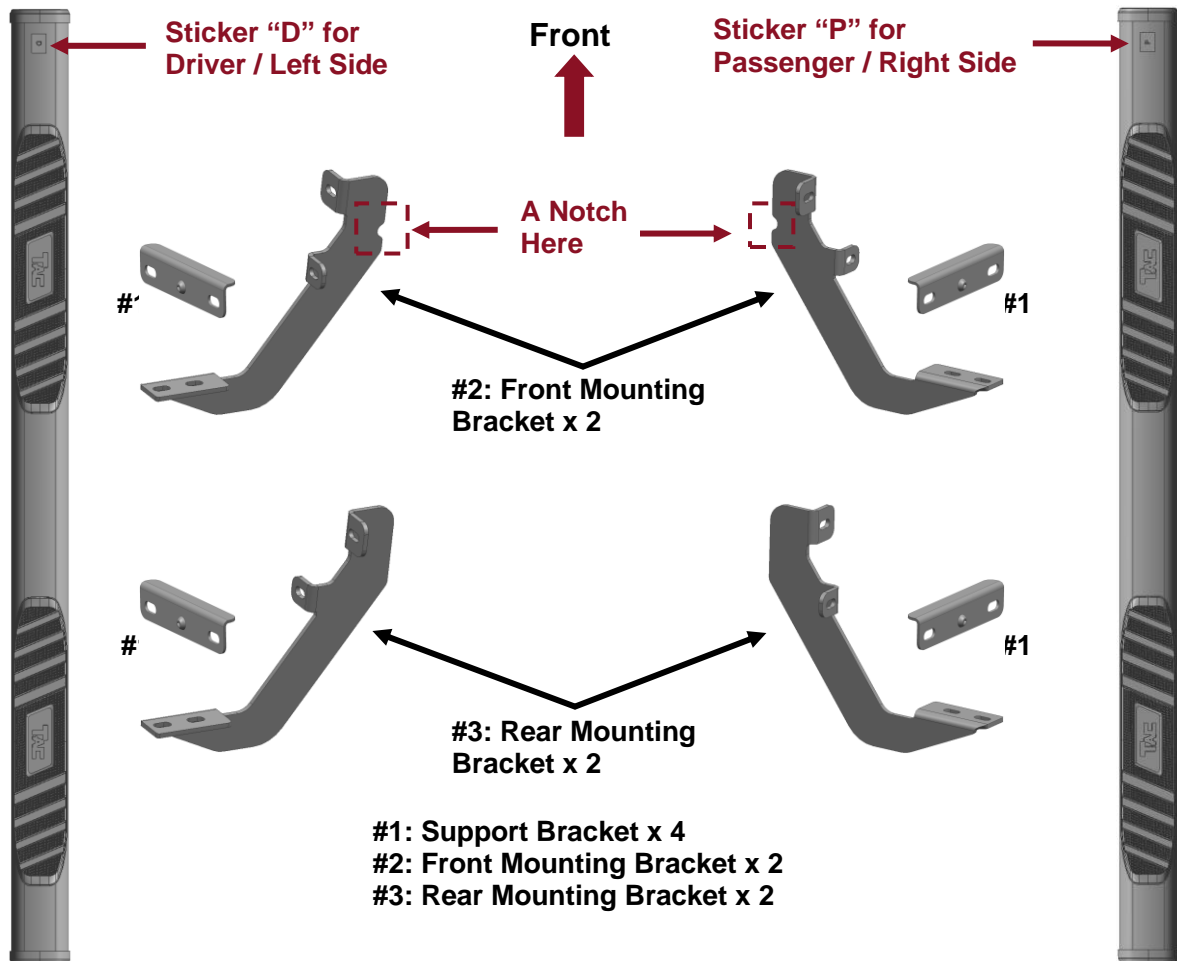
Torque & Tools

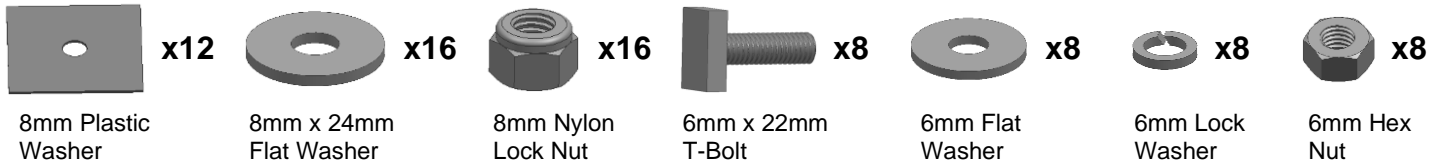
Fastener Size	Tightening Torque (ft-lbs)	Wrench Required	Allen Wrench Required	
				
<input checked="" type="checkbox"/> 6mm	<input checked="" type="checkbox"/> 7-8.5		<input checked="" type="checkbox"/> 10mm	<input type="checkbox"/> 4mm
<input checked="" type="checkbox"/> 8mm	<input checked="" type="checkbox"/> 18-20		<input checked="" type="checkbox"/> 13mm	<input type="checkbox"/> 5mm
<input type="checkbox"/> 10mm	<input type="checkbox"/> 35-40		<input type="checkbox"/> 16mm	<input type="checkbox"/> 6mm
<input type="checkbox"/> 12mm	<input type="checkbox"/> 60-70		<input type="checkbox"/> 18mm	<input type="checkbox"/> 8mm

BEFORE INSTALLATION

REMOVE CONTENTS FROM BOX. VERIFY ALL PARTS ARE PRESENT. READ INSTRUCTIONS CAREFULLY BEFORE STARTING INSTALLATION. ASSISTANCE IS RECOMMENDED.

Part List



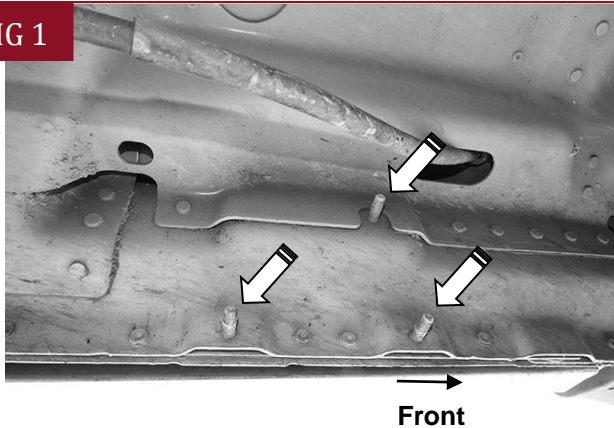


PLEASE NOTE THAT THE FOLLOWING PICTURES ARE BASED ON THE DRIVER SIDE INSTALLATION

STEP 1

Start the installation under the Driver/Left side of the vehicle. Locate the front factory mounting location along the inner side of the body, **(Fig 1)**. Use a wire brush or thread chaser die to remove excess paint and/or undercoating from all studs.

FIG 1

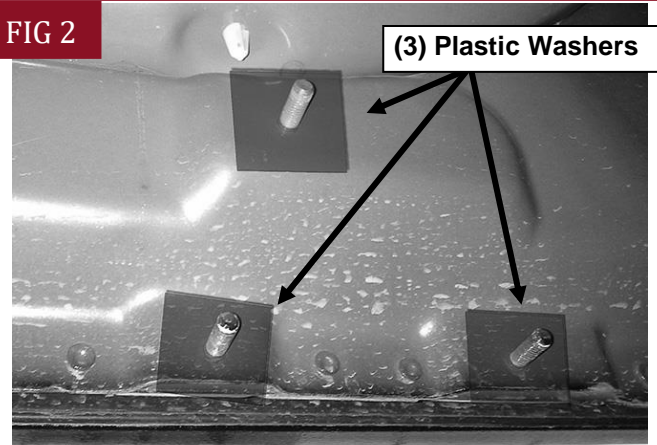


(Fig 1) Driver/Left front mounting location

STEP 2

Slide (1) Plastic Washer over each of the (3) factory mounting studs in the body panel, **(Fig 2)**. **IMPORTANT:** The Plastic Washers are designed to prevent corrosion between the aluminum body panel and the steel mounting brackets. **Do not install the Brackets without the Plastic Washers.**

FIG 2

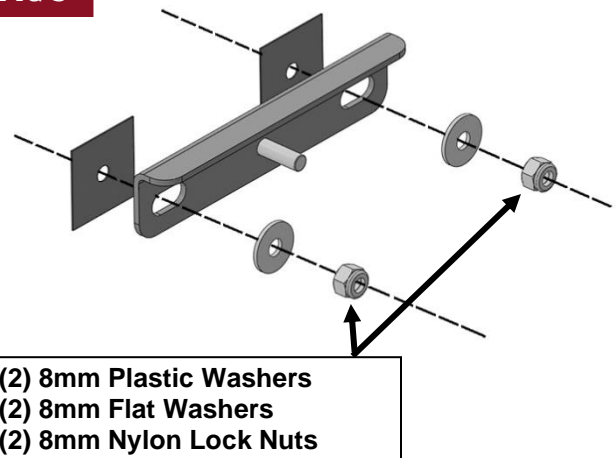


(Fig 2) Thread Plastic Washers onto all mounting studs

STEP 3

Select (1) Support Bracket (#1). Attach the Bracket to the studs on the pinch trim with (2) 8mm Flat Washers and (2) 8mm Nylon Lock Nuts, **(Figs 3-4)**. Do not tighten hardware.

FIG 3



(Fig 3) Attach (1) Support Bracket (#1) to the threaded studs

FIG 4



(Fig 4) Example of the Support Bracket (#1) attached to the threaded studs

FIG 6

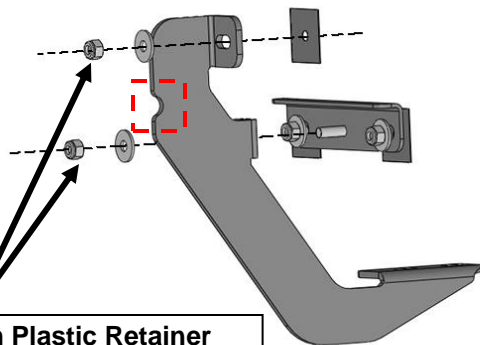


(Fig 6) Example of the Mounting Bracket attached to the upper mounting stud and Support Bracket

STEP 4

Select (1) Front Mounting Bracket. **Note: There is a notch on the back of the Front bracket.** Then attach (1) Front Mounting Bracket (#2) to the upper factory mounting stud and support bracket with (1) Plastic Retainer, (2) 8mm Flat Washers, and (2) 8mm Nylon Lock Nuts, (Figs 5-6).

FIG 5



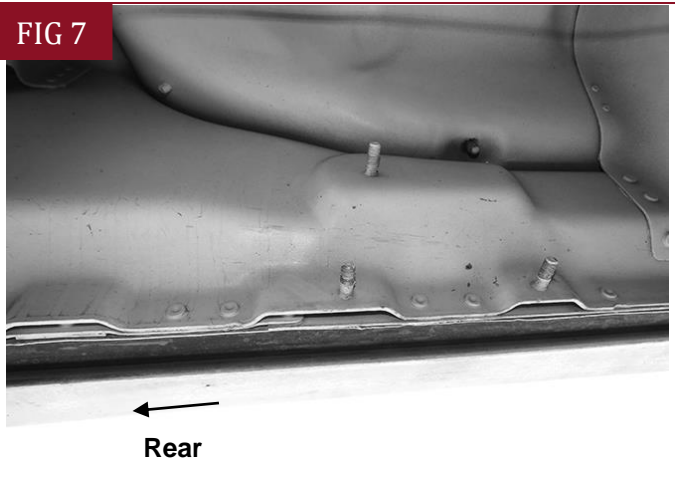
- (1) 8mm Plastic Retainer
- (2) 8mm Flat Washers
- (2) 8mm Nylon Lock Nuts

(Fig 5) Attach Front Mounting Bracket (#2) to the upper mounting stud and Support Bracket

STEP 5

Repeat **Step 1—4** to attach (1) Support Mounting Brackets (#1) and (1) Rear Mounting Brackets (#3) to the rear mounting location along the body panel, (Fig 7).

FIG 7

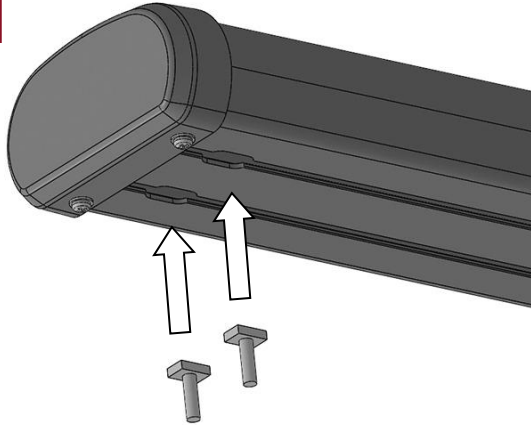


(Fig 7) Driver/Left Rear mounting location

STEP 6

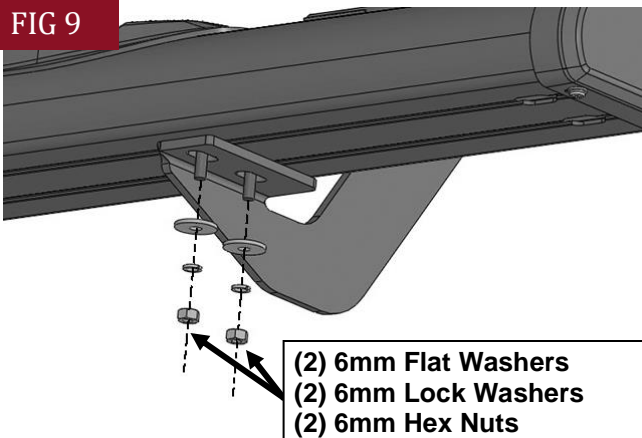
Select the Driver/Left Side Step. Insert (6) 6mm T-Bolts into the slots underneath the Side Step (**Fig 8**). **NOTE: The Driver/Left Side Step will have a Sticker "D" on the front.** **IMPORTANT:** Do not slide the Side Step front to back or damage to the finish may result. Attach the Side Step to the (3) Mounting Brackets with (6) 6mm Flat Washers, (6) 6mm Lock Washers, and (6) 6mm Hex Nuts (**Fig 9**). Do not tighten hardware.

FIG 8



(Fig 8) Insert (6) 6mm T-Bolts into the channels in the bottom of the Side Step, (3 T-Bolts per channel)

FIG 9



(2) 6mm Flat Washers
(2) 6mm Lock Washers
(2) 6mm Hex Nuts

(Fig 9) Attach Side Step to the Mounting Brackets

STEP 7

Level and adjust the Side Step and tighten all hardware.

STEP 8

Repeat **Steps 1—7** to attach Passenger/Right Side Step.

STEP 9

Do periodic inspections to the installation to make sure that all hardware is secure and tight.

Attention

To protect your investment, do not use any type of polish or wax that may contain abrasives that could damage the finish.

Mild soap may be used also to clean the Side Steps.