



ARROW SIDE STEP

PART #: TB-C07

FITS:

- 2019-Up Chevy Silverado 1500 Regular Cab
- 2020-Up Chevy Silverado 2500-3500 Regular Cab
- 2019-Up GMC Sierra 1500 Regular Cab
- 2020-Up GMC Sierra 2500-3500 Regular Cab



60-120 min



Cutting Not Required



Drilling Not Required

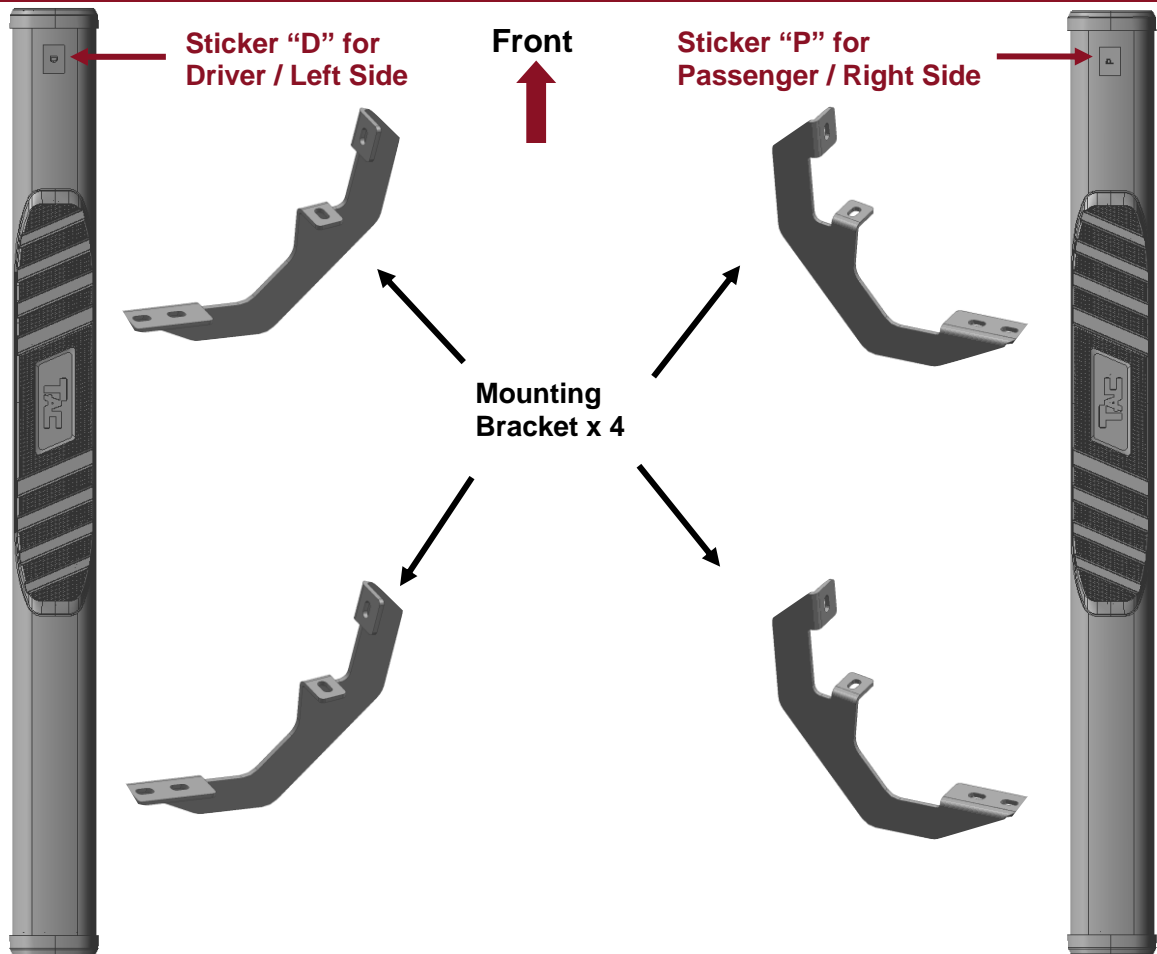
Torque & Tools

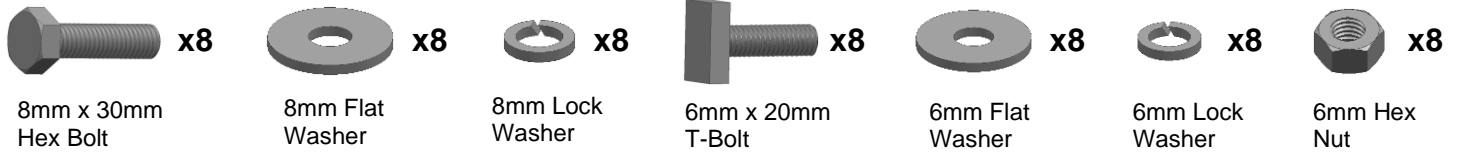
Fastener Size	Tightening Torque (ft-lbs)	Wrench Required	Allen Wrench Required
<input checked="" type="checkbox"/> 6mm	<input checked="" type="checkbox"/> 7-8.5		
<input checked="" type="checkbox"/> 8mm	<input checked="" type="checkbox"/> 18-20		
<input type="checkbox"/> 10mm	<input type="checkbox"/> 35-40		
<input type="checkbox"/> 12mm	<input type="checkbox"/> 60-70		
		<input checked="" type="checkbox"/> 10mm	<input type="checkbox"/> 4mm
		<input checked="" type="checkbox"/> 13mm	<input type="checkbox"/> 5mm
		<input type="checkbox"/> 16mm	<input type="checkbox"/> 6mm
		<input type="checkbox"/> 18mm	<input type="checkbox"/> 8mm

BEFORE INSTALLATION

REMOVE CONTENTS FROM BOX. VERIFY ALL PARTS ARE PRESENT. READ INSTRUCTIONS CAREFULLY BEFORE STARTING INSTALLATION. ASSISTANCE IS RECOMMENDED.

Part List





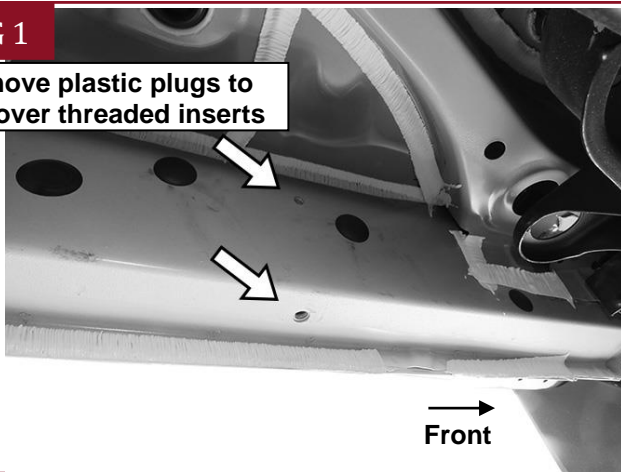
PLEASE NOTE THAT THE FOLLOWING PICTURES ARE BASED ON THE DRIVER SIDE INSTALLATION

STEP 1

Start the installation under the Driver/Left side of the vehicle. Remove the plastic plugs along the bottom edge of the body, **(Fig 1)**. Directly above each threaded insert is a top mounting location on the side of the body panel. Hold a Mounting Bracket up in place to help determine the correct mounting holes to use along the body. **NOTE:** Thread an 8mm Hex Bolt into the threaded inserts to clear paint as required.

FIG 1

Remove plastic plugs to uncover threaded inserts

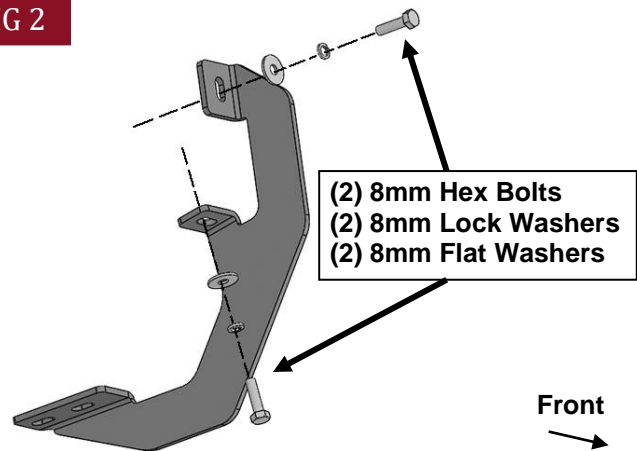


(Fig 1) Driver/Left front mounting location

STEP 2

Select (1) Driver/Left Mounting Bracket. Attach the Mounting Bracket to the front location with (2) 8mm x 30mm Hex Bolts, (2) 8mm Lock Washers and (2) 8mm Flat Washers, **(Fig 2)**. Do not fully tighten hardware.

FIG 2

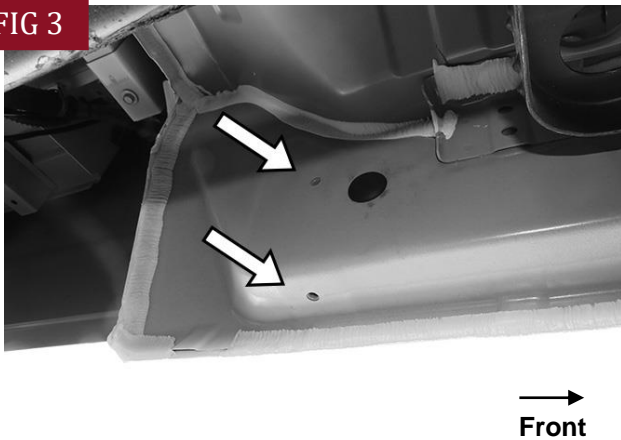


(Fig 2) Attach (1) Driver/Left Mounting Bracket to the front mounting location

STEP 3

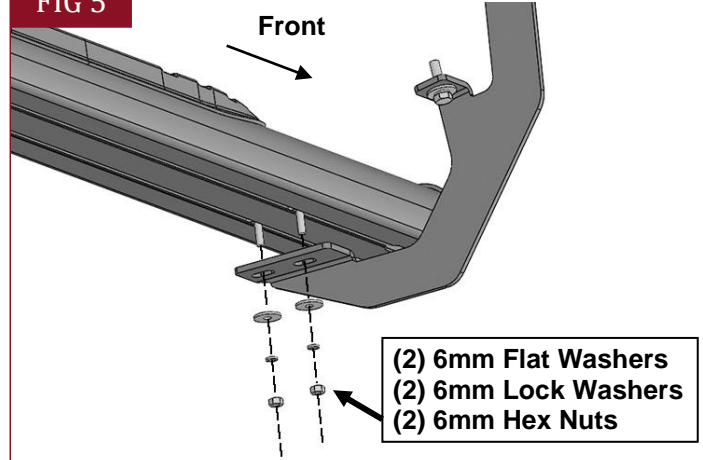
Repeat **Steps 1 & 2** to attach the remaining (1) Driver/Left Mounting Bracket to the rear mounting location along the body panel, **(Fig 3)**.

FIG 3



(Fig 3) Driver/Left rear mounting location

FIG 5

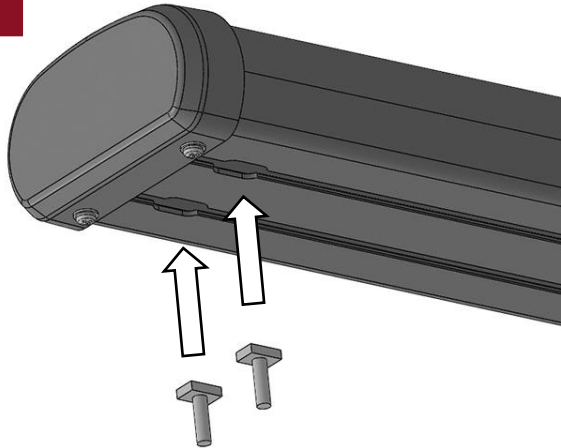


(Fig 5) Attach Side Step to Mounting Bracket

STEP 4

Select the Driver/Left Side Step. **NOTE: The Driver/Left Side Step will have a Sticker "D" on the front.** Insert (4) 6mm T-Bolts into the channels in the bottom of the Side Step, (Fig 4), (2 T-Bolts per channel). Attach the Side Step to the (2) Mounting Brackets with (4) 6mm Flat Washers, (4) 6mm Lock Washers and (4) 6mm Hex Nuts, (Fig 5). Do not tighten hardware.

FIG 4



(Fig 4) Insert (4) 6mm T-Bolts into the channels in the bottom of the Side Step, (2 T-Bolts per channel)

STEP 5

Level and adjust the Side Step and fully tighten all hardware.

STEP 6

Repeat **Steps 1—5** to attach the Passenger/Right Side Step.

STEP 7

Do periodic inspections to the installation to make sure that all hardware is secure and tight.

Attention

To protect your investment, do not use any type of polish or wax that may contain abrasives that could damage the finish.

Mild soap may be used also to clean the Side Steps.