



# COBRA RUNNING BOARD

PART #: TAC-JWB-009

**FITS:** 2021-Up Jeep Grand Cherokee L  
2022-Up Jeep Grand Cherokee (Exclude 2022-24 4xe Models)



60-120 min



Cutting Required



Drilling May Required

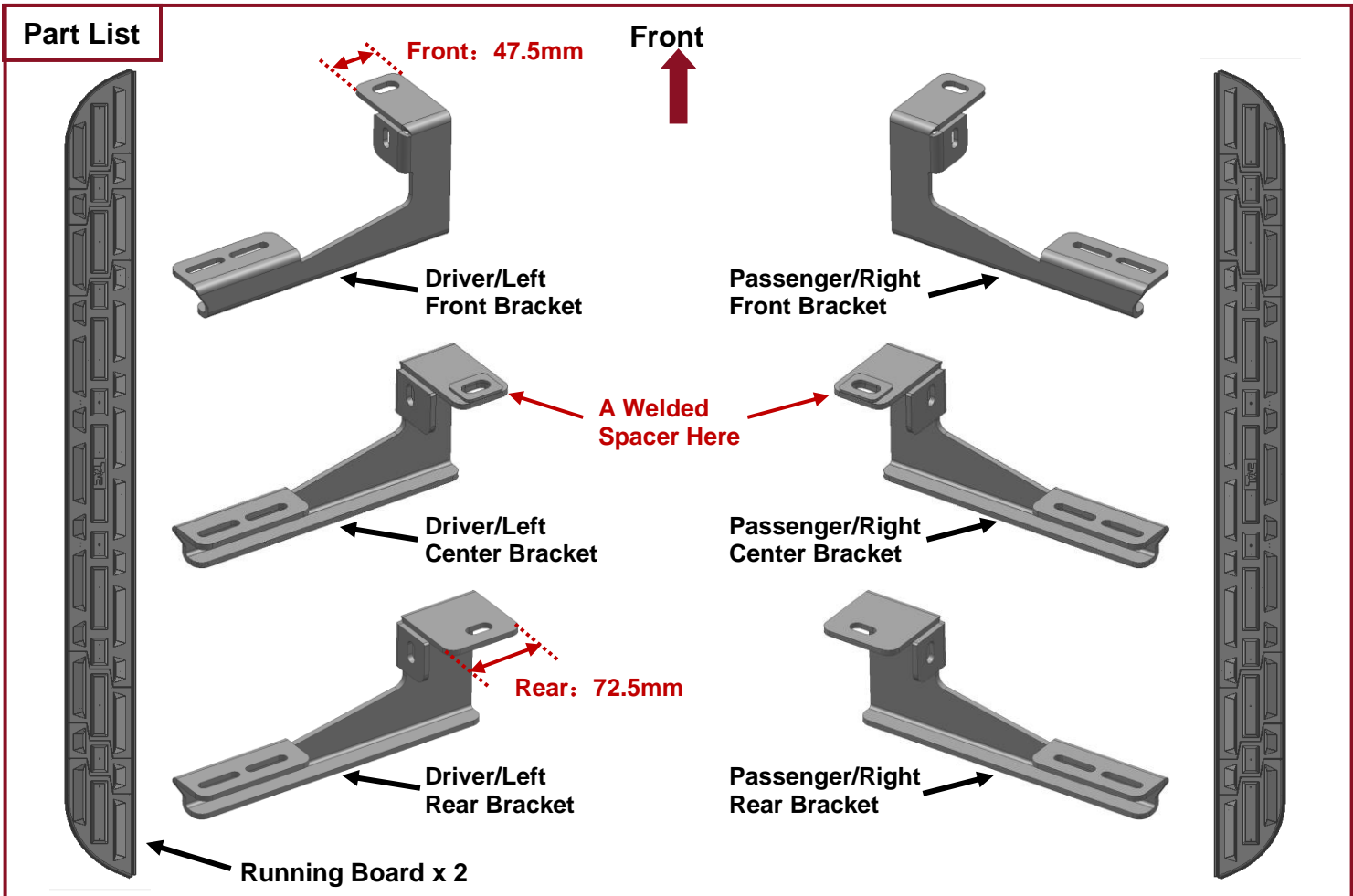
## Torque & Tools

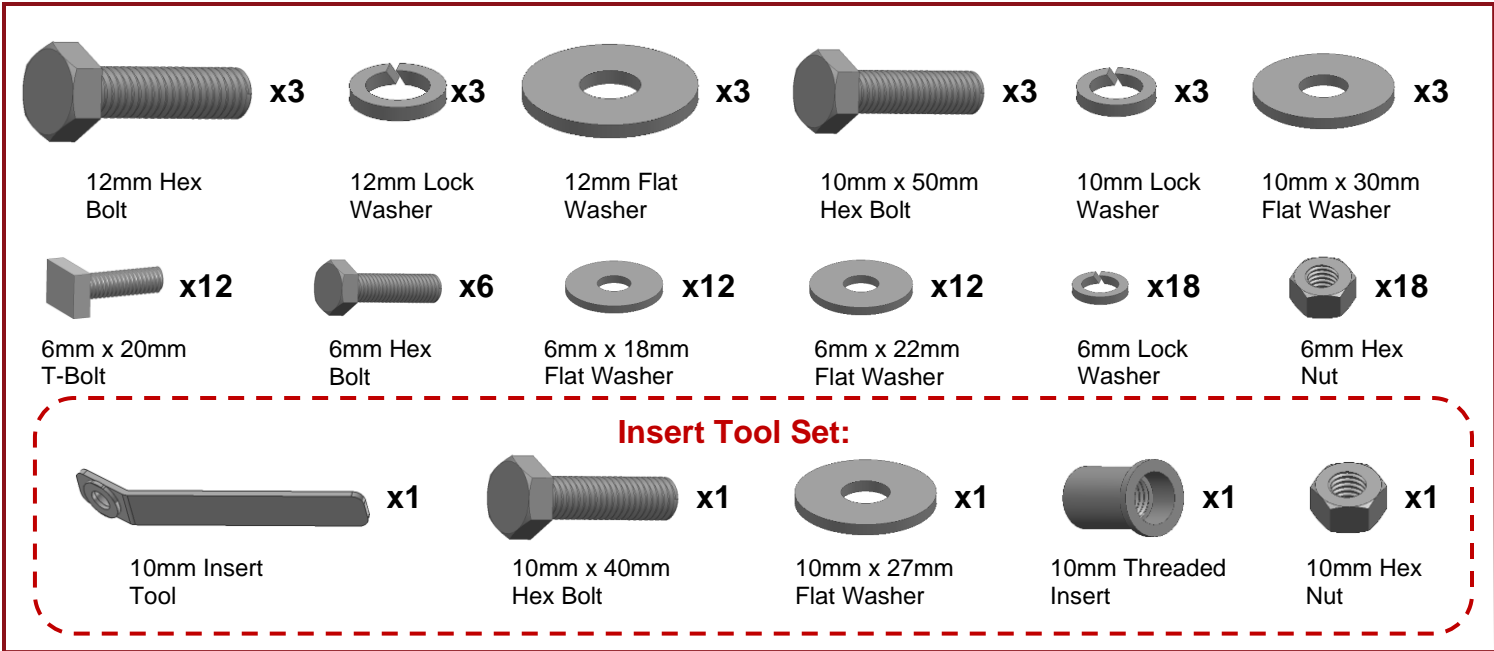
Fastener Size	Tightening Torque (ft-lbs)	Wrench Required		Allen Wrench Included	
			10mm		4mm
6mm	7-8.5		13mm		5mm
8mm	18-20		16mm		6mm
10mm	35-40		18mm		8mm
12mm	60-70				

## BEFORE INSTALLATION

REMOVE CONTENTS FROM BOX. VERIFY ALL PARTS ARE PRESENT. READ INSTRUCTIONS CAREFULLY BEFORE STARTING INSTALLATION. ASSISTANCE IS RECOMMENDED.

## Part List

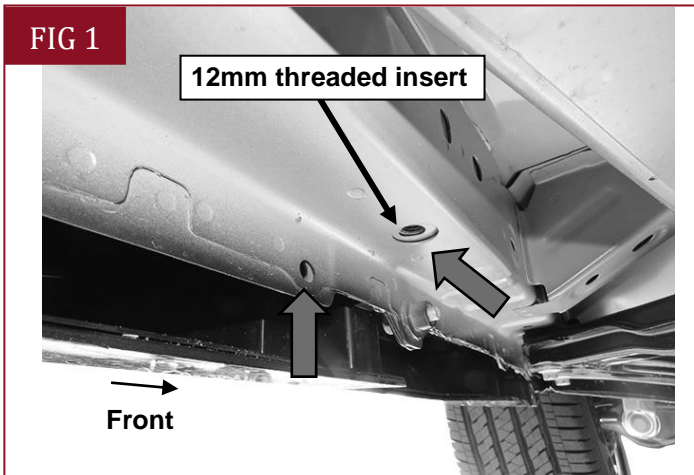




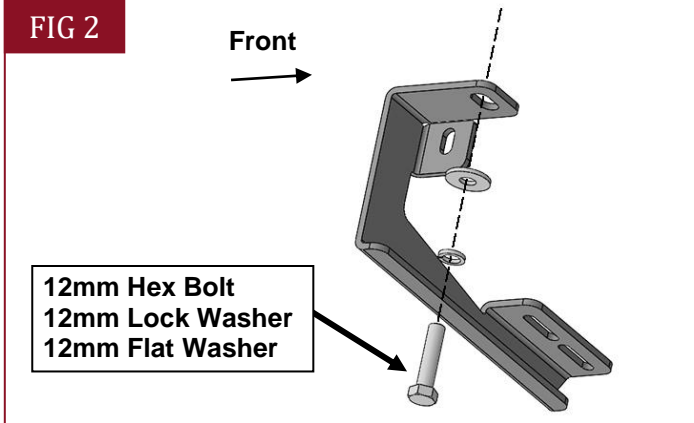
**PLEASE NOTE THAT THE FOLLOWING PICTURES ARE BASED ON THE DRIVER SIDE INSTALLATION**

## STEP 1

Starting on the Driver/Left front of the vehicle, remove the cover on the bottom of the vehicle. Select the Driver/Left Front Mounting Bracket. **IMPORTANT: The Front, Center, Rear Brackets are similar but unique. Please identify it according to the Part List.** Attach the Mounting Bracket to the threaded insert in the front location with (1) 12mm Hex Bolt, (1) 12mm Lock Washer and (1) 12mm Flat Washer, (Figs 1 & 2). Do not tighten hardware.



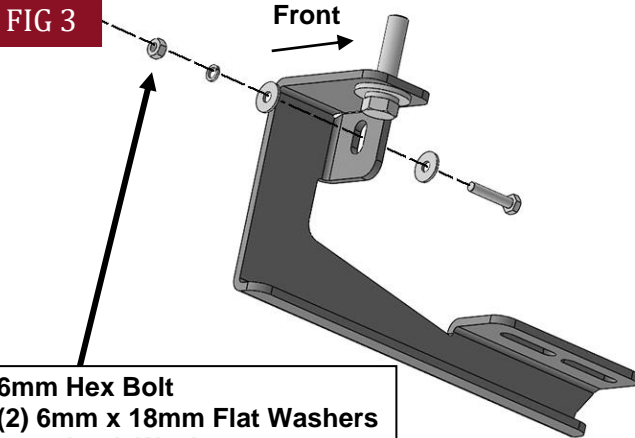
(Fig 1) Driver/Left front mounting location



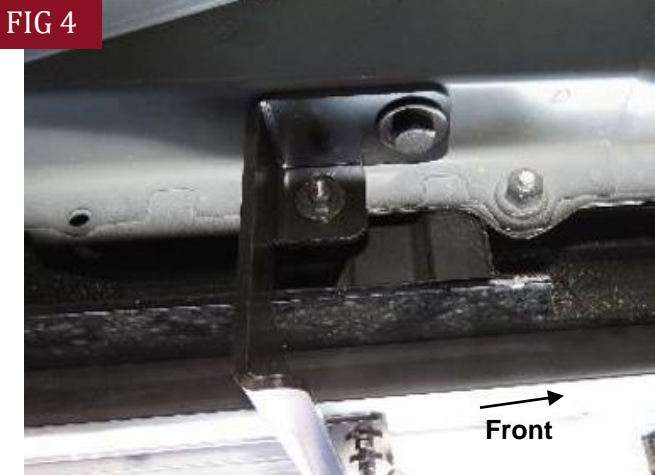
(Fig 2) Attach Driver/Left Front Mounting Bracket to the front mounting location

## STEP 2

Attach the Mounting Bracket to the pinch trim with (1) 6mm Bolt Plate, (2) 6mm x 18mm Flat Washer, (1) 6mm Lock Washer and (1) 6mm Hex Nut, (**Figs 3 & 4**). Do not tighten hardware.



(Fig 3) Attach Driver/Left Front Mounting Bracket to the pinch trim

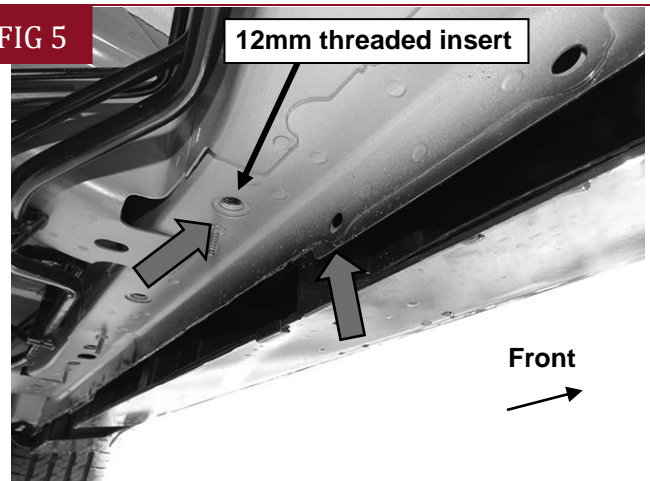


(Fig 4) Driver/Left Front Mounting Bracket attached

## STEP 3

Move along the body panel to the center mounting location, (**Fig 5**). Select the Driver/Left Center Mounting Bracket. Repeat **Steps 1-2** to install the Bracket, (**Figs 2, 3 & 6**). Do not tighten hardware.

FIG 5



(Fig 5) Driver/Left center mounting location

FIG 6

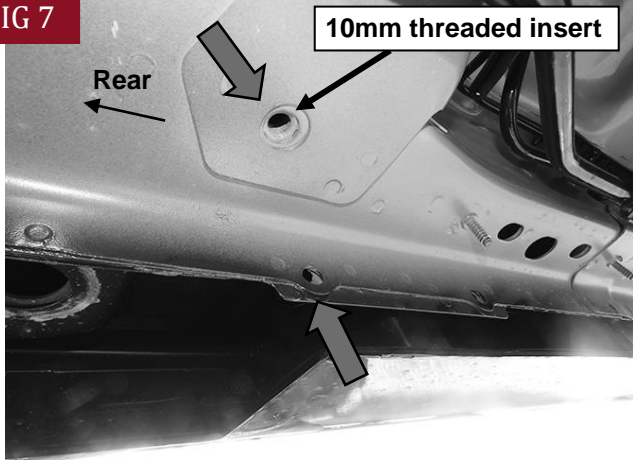


(Fig 6) Driver/Left Center Mounting Bracket attached

## STEP 4

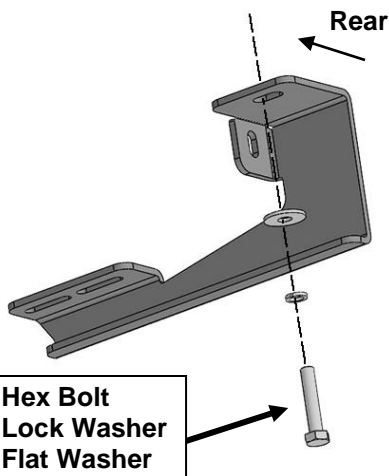
Continue to the rear mounting location in front of the rear tire, (**Fig 7**). Select the Driver/Left Rear Mounting Bracket. Attach the Bracket to the threaded insert with (1) 10mm Hex Bolt, (1) 10mm Lock Washer and (1) 10mm Flat Washer, (**Figs 8**). Do not tighten hardware. Repeat **Step 2** to attach the Bracket to the pinch trim with (1) 6mm Bolt Plate, (2) 6mm x 18mm Flat Washer, (1) 6mm Lock Washer and (1) 6mm Hex Nut, (**Fig 9**).

FIG 7



(Fig 7) Driver/Left rear mounting location. The threaded insert is smaller than the front and center locations

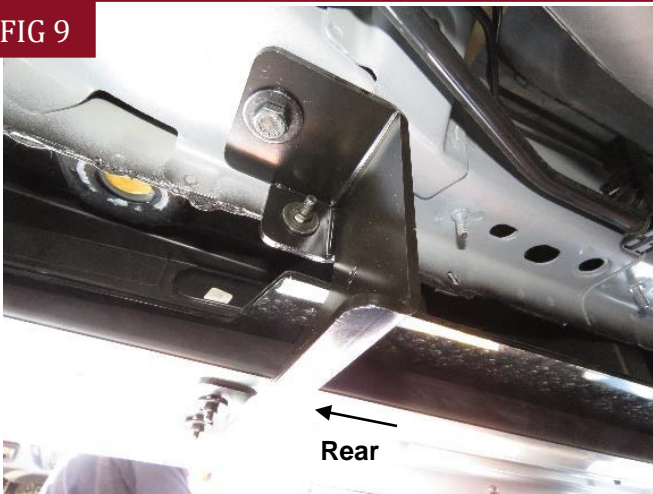
FIG 8



10mm Hex Bolt  
10mm Lock Washer  
10mm Flat Washer

(Fig 8) Attach Driver/Left Rear Mounting Bracket

FIG 9

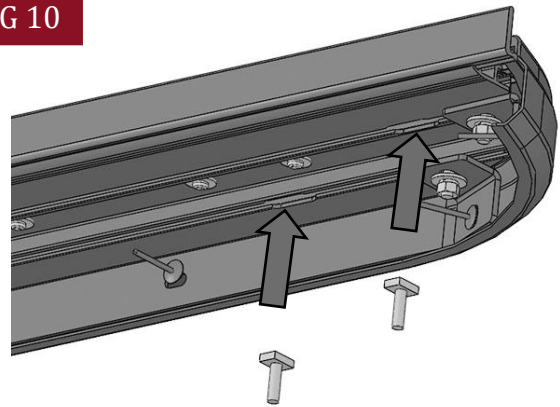


(Fig 9) Driver/Left Rear Mounting Bracket attached

## STEP 5

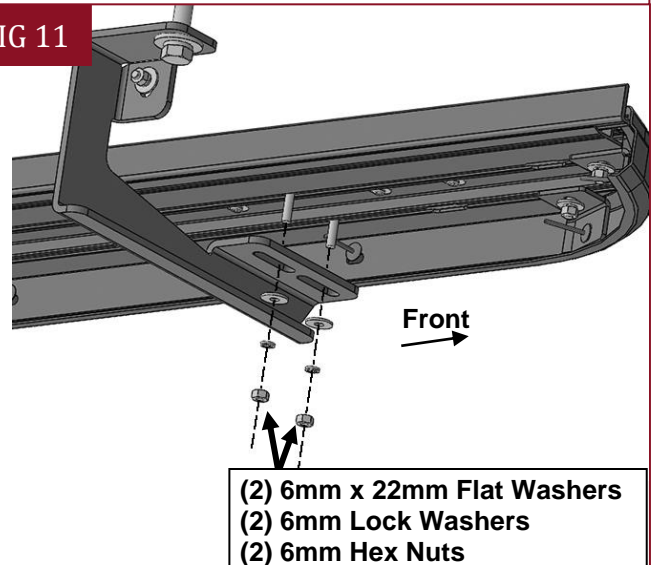
Select (1) Running Board. Insert (6) T-Bolts into the channels in the bottom of the Running Board, (3) per channel, (Fig 10). Place the Running Board onto the Mounting Brackets and line up the T-Bolts. Attach the Running Board to the Mounting Brackets with (6) 6mm x 22mm Flat Washers, (6) 6mm Lock Washers and (6) 6mm Hex Nuts, (Fig 11). Do not tighten hardware.

FIG 10



(Fig 10) Insert (6) T-Bolts into the bottom of the Running Board, (3) per channel

FIG 11



(2) 6mm x 22mm Flat Washers  
(2) 6mm Lock Washers  
(2) 6mm Hex Nuts

(Fig 11) Attach (1) Running Board to the (3) Mounting Brackets



## STEP 6

Level and adjust the Running Board and tighten all hardware.

## STEP 7

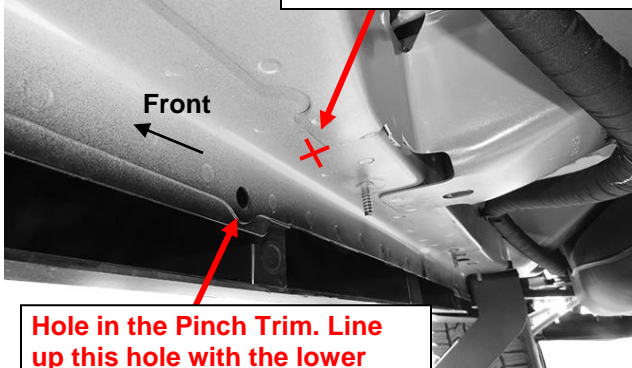
Move to the Passenger/Right side. Repeat **Step 1 & Step 4** to attach the Passenger/Right Front and Rear Mounting Brackets.

## STEP 8

Locate the center mounting location, (**Fig 12**). Select the Passenger/Right Center Mounting Bracket. Hold the Bracket and line up to the hole in the pinch trim to the lower slot in the top of the Bracket. Mark where the top slot is located on the floor panel. Using a 1/2" drill bit, (not included) to drill through only the bottom layer of the floor panel.

FIG 12

Hold the bracket to locate the drilling location and mark it down



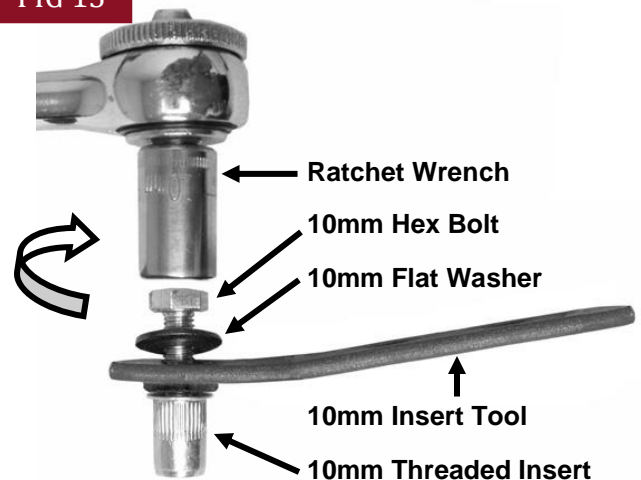
Hole in the Pinch Trim. Line up this hole with the lower slot in the top of the Bracket

(**Fig 12**) Locate the Passenger/Right center mounting location. Line up the top of the Passenger/Right Center Mounting Bracket to the hole in the pinch trim. Mark the top slot for drilling. Use a 1/2" drill bit, not included

## STEP 9

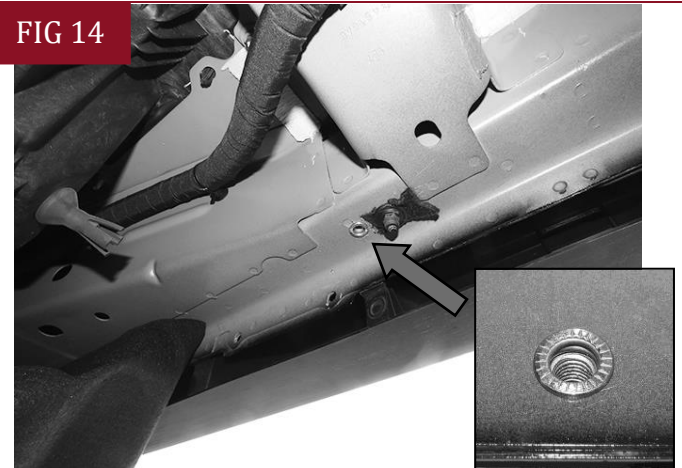
- Select 10mm Threaded Insert and the 10mm Insert Tool. Thread Insert onto end of Insert Tool, (**Fig 13**). Hand tightened only, do not tighten hex bolt.
- Firmly hold assembly and push Insert into drilled hole. **NOTE: If Insert fits too tight, lightly tap it into place with a small hammer.**
- Hold Tool Assembly up tight in body panel. Turn hex bolt in Tool clockwise to expand insert in body panel until it is fully collapsed and locked in place, (**Figs 13-14**). **NOTE: Do not over tighten the Insert or Insert may be damaged and a pull out may occur.** Remove Tool once Insert is fully tightened.

FIG 13



(**Fig 13**) Insert Tool Assembly

FIG 14



(**Fig 14**) Threaded Insert installed in the floor panel

## STEP 10

Attach the Passenger/Right Center Mounting Bracket to the Threaded Insert with (1) 10mm Hex Bolt, (1) 10mm Lock Washer and (1) 10mm Flat Washer. And repeat **Step 2** to attach the Bracket to the pinch trim with (1) 6mm Bolt Plate, (2) 6mm x 18mm Flat Washer, (1) 6mm Lock Washer and (1) 6mm Hex Nut. Do not tighten hardware.

## STEP 11

Repeat **Steps 5 & 6** to attach the Passenger/Right Running Board. Do not tighten hardware.

## STEP 12

Level and adjust the Running Board and tighten all hardware.

## STEP 13

Reinstall the cover which removed on **step 1**. The cover will need to be trimmed for bracket clearance.

## STEP 14

Do periodic inspections to the installation to make sure that all hardware is secure and tight.

### Attention

To protect your investment, do not use any type of polish or wax that may contain abrasives that could damage the finish.

Mild soap may be used also to clean the Running Boards.