



SPEAR RUNNING BOARD

PART #: TAC-JA6-017

FITS: 2020-Up Jeep Gladiator JT



60-120 min



Cutting Not Required



Drilling Not Required

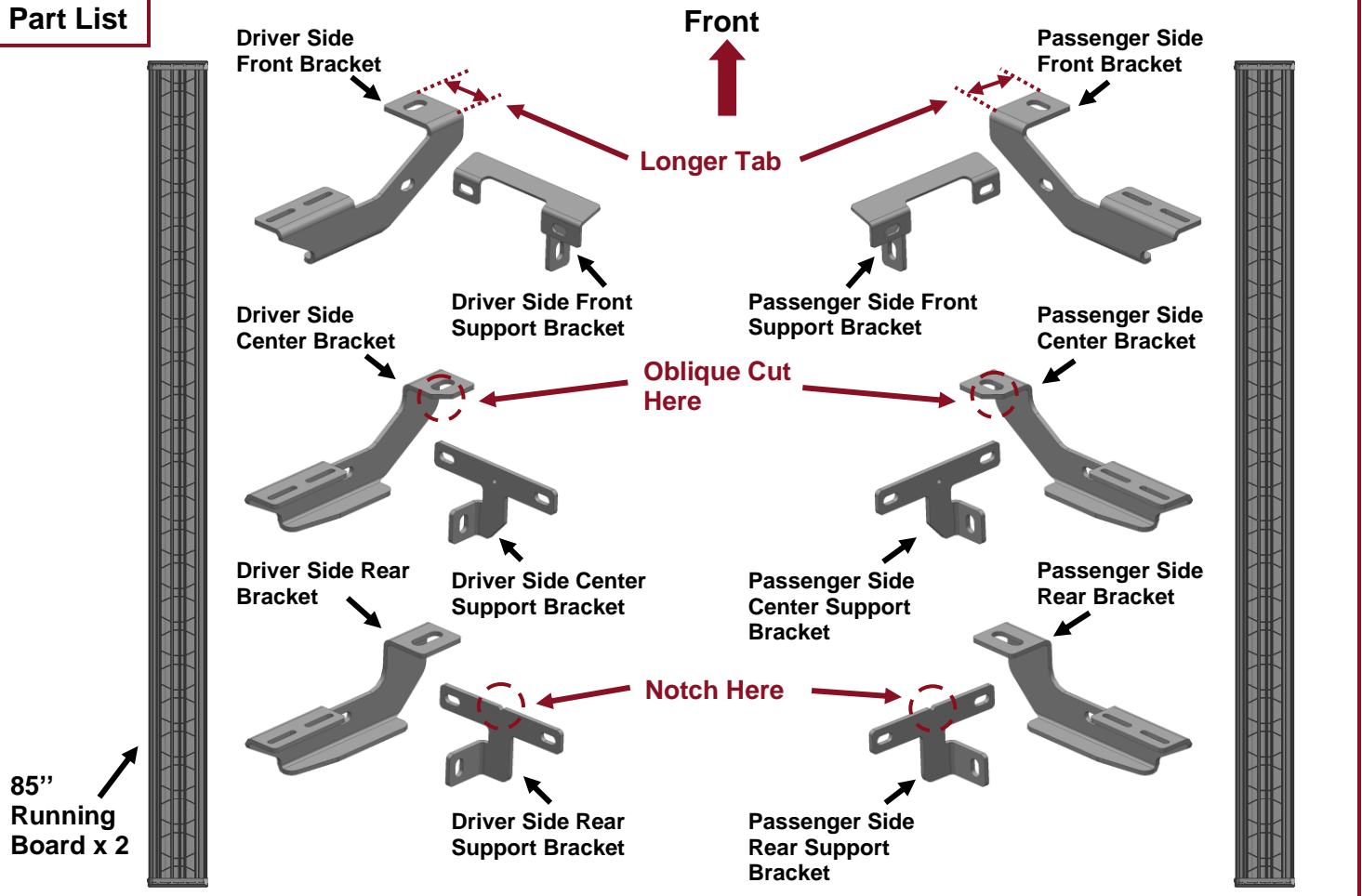
Torque & Tools

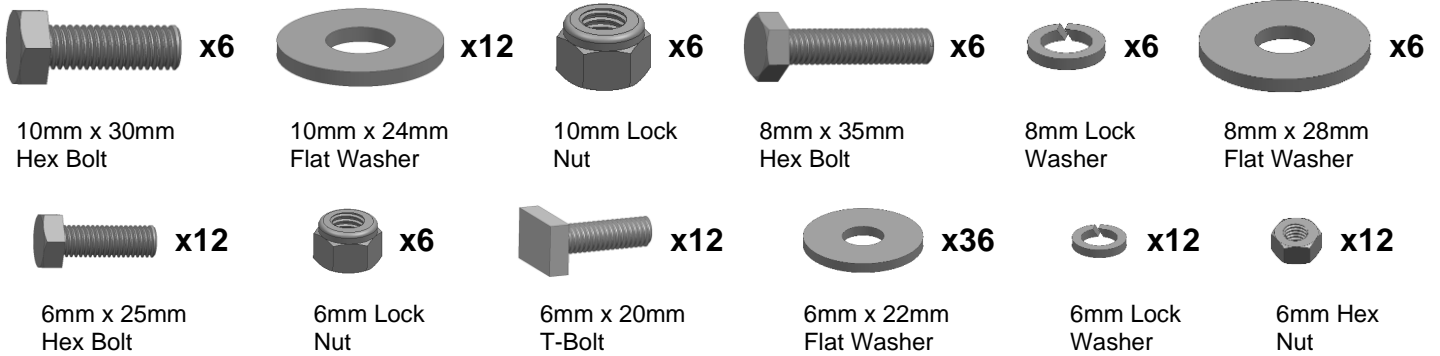
Fastener Size	Tightening Torque (ft-lbs)	Wrench Required		Allen Wrench Required	
			<input checked="" type="checkbox"/> 10mm <input checked="" type="checkbox"/> 13mm <input checked="" type="checkbox"/> 16mm <input type="checkbox"/> 18mm		<input type="checkbox"/> 4mm <input type="checkbox"/> 5mm <input type="checkbox"/> 6mm <input type="checkbox"/> 8mm
<input checked="" type="checkbox"/> 6mm	<input checked="" type="checkbox"/> 7-8.5				
<input checked="" type="checkbox"/> 8mm	<input checked="" type="checkbox"/> 18-20				
<input checked="" type="checkbox"/> 10mm	<input checked="" type="checkbox"/> 35-40				
<input type="checkbox"/> 12mm	<input type="checkbox"/> 60-70				

BEFORE INSTALLATION

REMOVE CONTENTS FROM BOX. VERIFY ALL PARTS ARE PRESENT. READ INSTRUCTIONS CAREFULLY BEFORE STARTING INSTALLATION. ASSISTANCE IS RECOMMENDED.

Part List

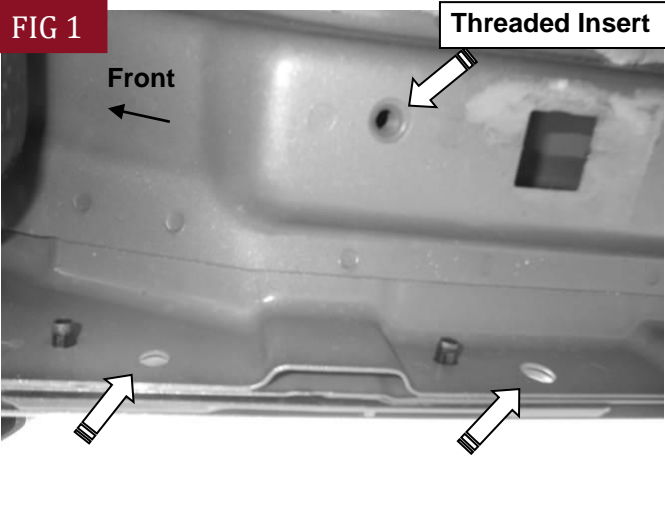




PLEASE NOTE THAT THE FOLLOWING PICTURES ARE BASED ON THE PASSENGER SIDE INSTALLATION

STEP 1

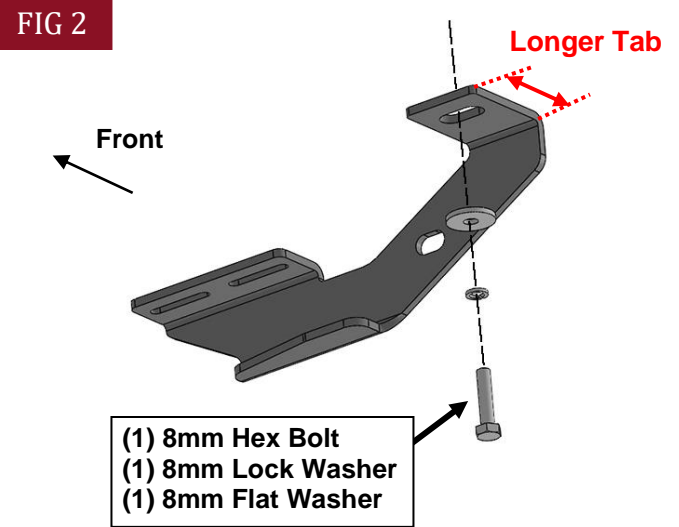
Start installation on the Passenger/Right front of the of the vehicle. Find the front threaded insert located in between the first pair of holes along the pinch weld, (Fig 1).



(Fig 1) Passenger/Right side front mounting location with threaded insert

STEP 2

Select the Passenger/Right Front Mounting Bracket. **IMPORTANT:** Mounting Brackets look very similar but are unique. **The Front Mounting Bracket** has a **Longer Tab** on the top; **The Center Mounting Bracket** has an **angled edge** on the top. Please identify the Front, Center, Rear Brackets according to the illustration on Part List. Attach the Mounting Bracket to the threaded insert using (1) 8mm Hex Bolt, (1) 8mm Lock Washer and (1) 8mm Flat Washer, (Fig 2). Do not tighten hardware.

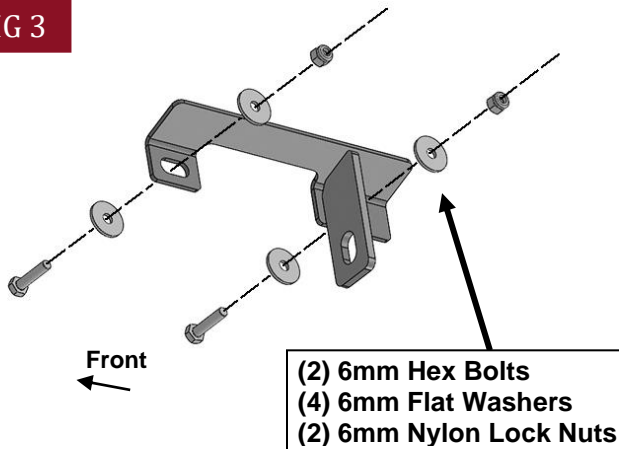


(Fig 2) Attach the Passenger/Right Front Mounting Bracket to the front location

STEP 3

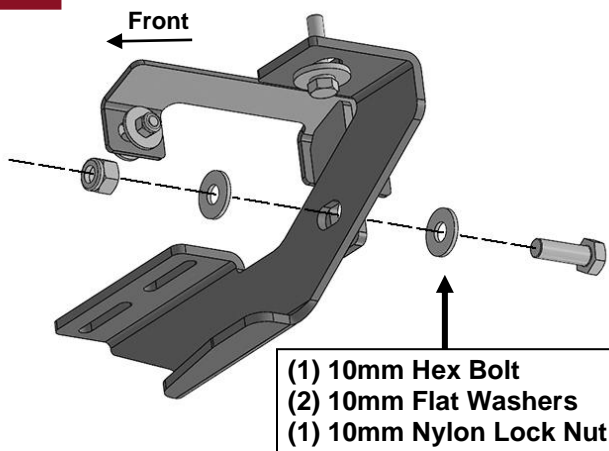
Select the Passenger/Right Front Support Bracket. **IMPORTANT:** Please identify the **Front, Center, Rear Support Brackets** according to the illustration on Part List. Attach the Support Bracket to the pinch weld using (2) 6mm Hex Bolts, (4) 6mm Flat Washers and (2) 6mm Nylon Lock Nuts, (Fig 3). **NOTE:** Insert Bolts from the **outside of the pinch weld**. Attach the Support Bracket to the Mounting Bracket with (1) 10mm Hex Bolt, (2) 10mm Flat Washers and (1) 10mm Nylon Lock Nut, (Fig 4). Do not tighten hardware.

FIG 3



(Fig 3) Attach the Passenger/Right Front Support Bracket to the pinch trim

FIG 4

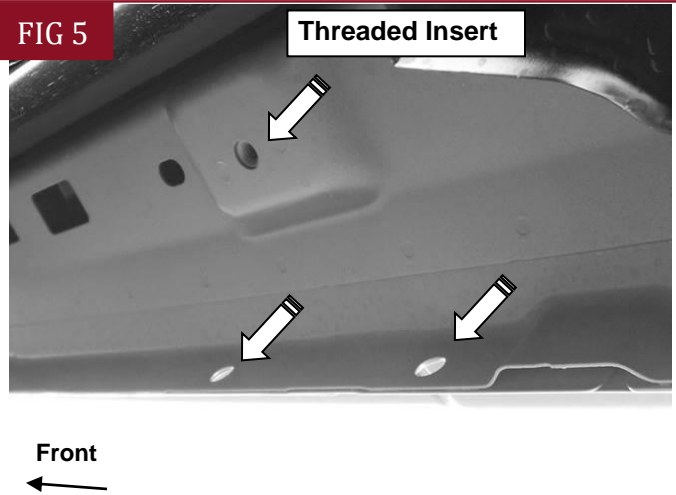


(Fig 4) Attach the Passenger/Right Front Support Bracket to the Mounting Bracket

STEP 4

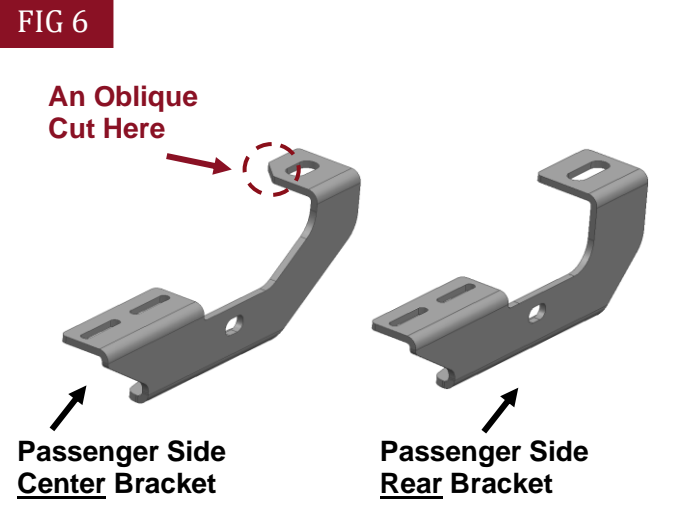
Move to the center mounting location and locate the threaded insert and pair of holes in the pinch weld, (Fig 5). Repeat **Steps 2 & 3** to attach the Passenger/Right Center Mounting Bracket (Fig 6) and Passenger/Right Center Support Bracket (Fig 7), (Fig 8). **IMPORTANT:** The **Center Mounting Bracket** has an **Oblique Cut** on the top. (Fig 6). The **Center Support Bracket** has a **Hole**. The **Rear Support Bracket** has a **Notch** (Fig 7). Do not tighten hardware.

FIG 5



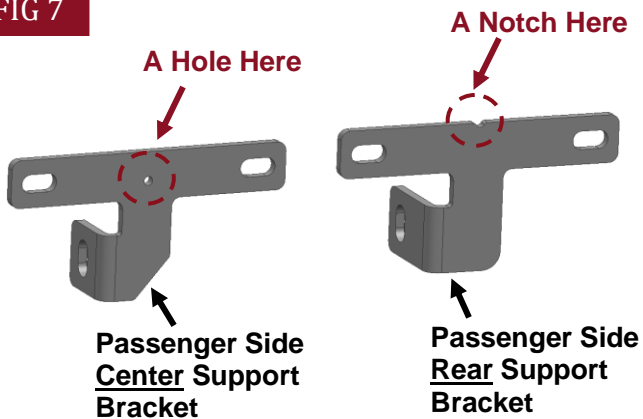
(Fig 5) Passenger/Right center mounting location

FIG 6



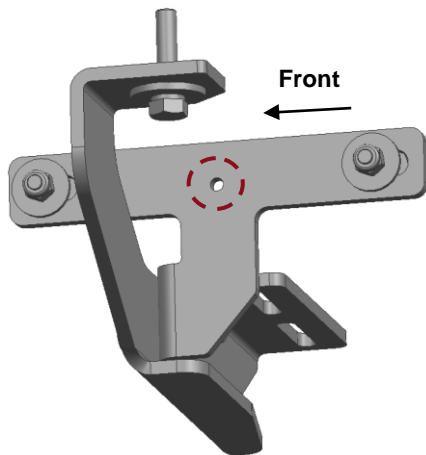
(Fig 6) The Center and Rear Mounting Brackets are similar but are unique

FIG 7



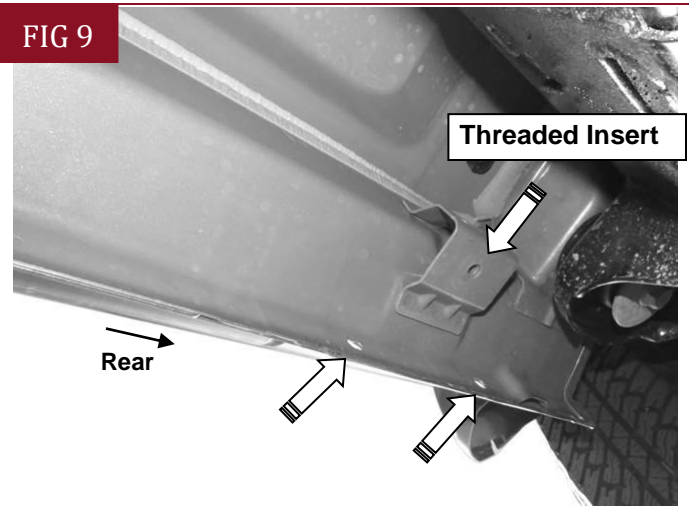
(Fig 7) The Center and Rear Support Brackets are similar but are unique

FIG 8



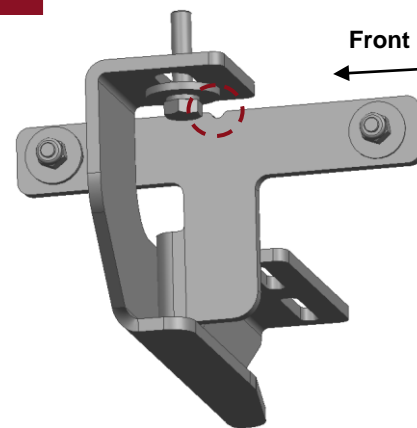
(Fig 8) Attach Passenger/Right Center Bracket and Passenger/Right Center Support Bracket to the center location

FIG 9



(Fig 9) Passenger/Right rear mounting location

FIG 10



(Fig 10) Attach Passenger/Right Rear Bracket and Passenger/Right Rear Support Bracket to the rear location

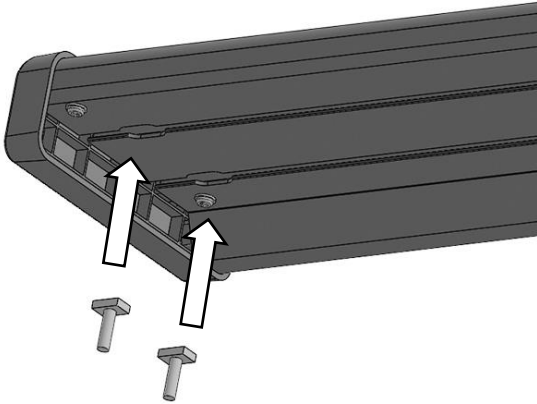
STEP 5

Move to the rear mounting location on the rocker panel and locate the threaded insert and pair of holes in the pinch weld, (Fig 9). Repeat **Steps 2 & 3** to attach the Passenger/Right Rear Mounting Bracket (Fig 6) and Passenger/Right Rear Support Bracket (Fig 7), (Fig 10). **IMPORTANT:** The **Rear Support Bracket** has a **Notch** on the **Top** (Fig 7). Do not tighten hardware.

STEP 6

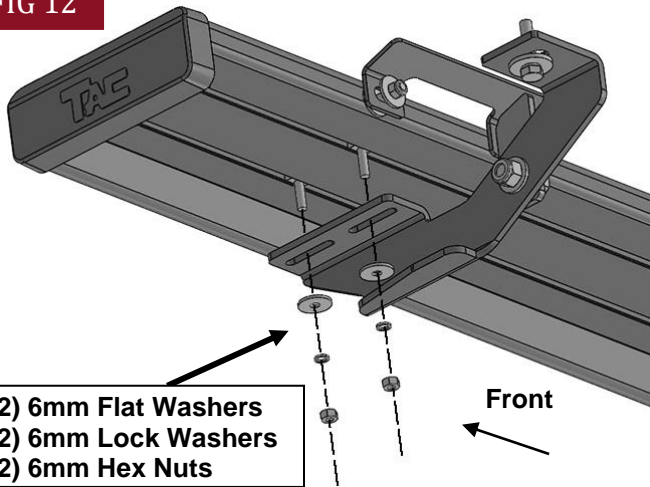
Select (1) Running Board. Insert (6) 6mm T-Bolts into the channels in the bottom of the Running Board, (Fig 11), (3 T-Bolts per channel). Attach the Running Board to the (3) Mounting Brackets with (6) 6mm Flat Washers, (6) 6mm Lock Washers and (6) 6mm Hex Nuts, (Fig 12). Do not tighten hardware.

FIG 11



(Fig 11) Insert (6) 6mm T-Bolts into the channels in the bottom of the Running Board, (3 T-Bolts per channel)

FIG 12



(Fig 12) Attach (1) Running Board to the Mounting Brackets

STEP 7

Level and adjust the Running Board and tighten all hardware.

STEP 8

Repeat **Steps 1—7** to attach the other side Running Board.

STEP 9

Do periodic inspections to the installation to make sure that all hardware is secure and tight.

Attention

To protect your investment, do not use any type of polish or wax that may contain abrasives that could damage the finish.

Mild soap may be used also to clean the Running Boards.