



# SPEAR RUNNING BOARD

PART #: TAC-DA6-011

**FITS:** 2019-Up Dodge RAM 1500 Crew Cab  
(Exclude 2019-2023 RAM 1500 **Classic** Crew Cab)



60-120 min



Cutting Not Required



Drilling Not Required

## Torque & Tools

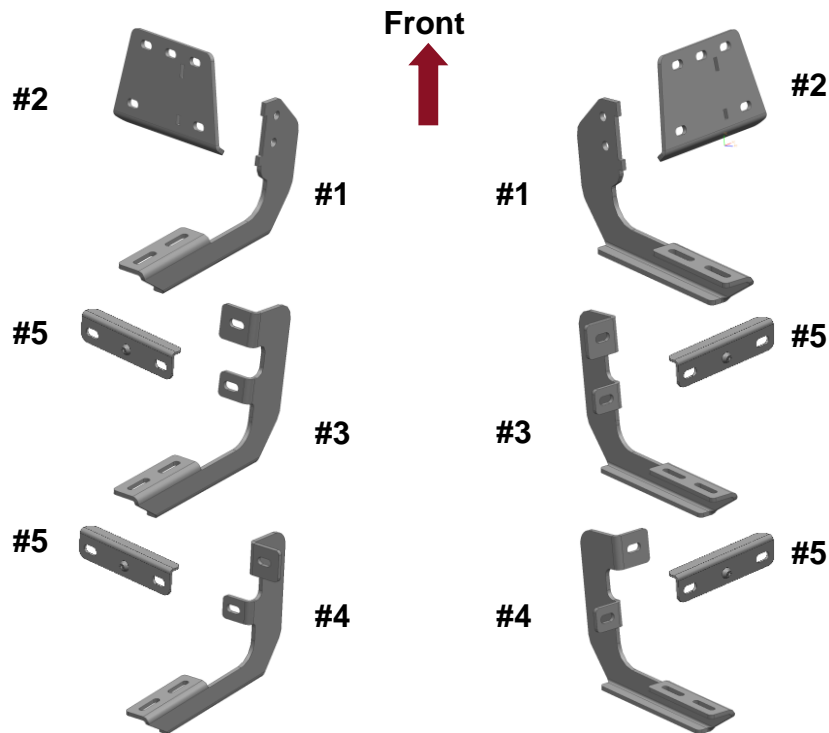
Fastener Size	Tightening Torque (ft-lbs)	Wrench Required		Allen Wrench Required	
			<input checked="" type="checkbox"/> 10mm		<input type="checkbox"/> 4mm
<input checked="" type="checkbox"/> 6mm	<input checked="" type="checkbox"/> 7-8.5		<input checked="" type="checkbox"/> 13mm		<input type="checkbox"/> 5mm
<input checked="" type="checkbox"/> 8mm	<input checked="" type="checkbox"/> 18-20		<input type="checkbox"/> 16mm		<input type="checkbox"/> 6mm
<input type="checkbox"/> 10mm	<input type="checkbox"/> 35-40		<input type="checkbox"/> 18mm		<input type="checkbox"/> 8mm
<input type="checkbox"/> 12mm	<input type="checkbox"/> 60-70				

### BEFORE INSTALLATION

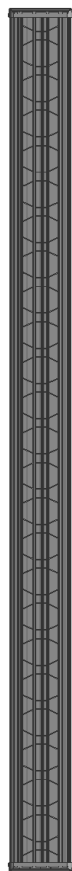
REMOVE CONTENTS FROM BOX. VERIFY ALL PARTS ARE PRESENT. READ INSTRUCTIONS CAREFULLY BEFORE STARTING INSTALLATION. ASSISTANCE IS RECOMMENDED.

### Part List

85" Running Board x 2



- #1: Front Lower Mounting Bracket x 2
- #2: Front Upper Mounting Bracket x 2
- #3: Center Mounting Bracket x 2
- #4: Rear Mounting Bracket x 2
- #5: Center/Rear Support Bracket x 4





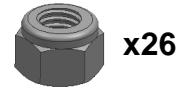
8mm x 25mm  
Hex Bolt



8mm x 16mm  
Flat Washer



8mm x 24mm  
Flat Washer



8mm Nylon  
Lock Nut



6mm x 20mm  
T-Bolt



6mm x 22mm  
Flat Washer



6mm Lock  
Washer



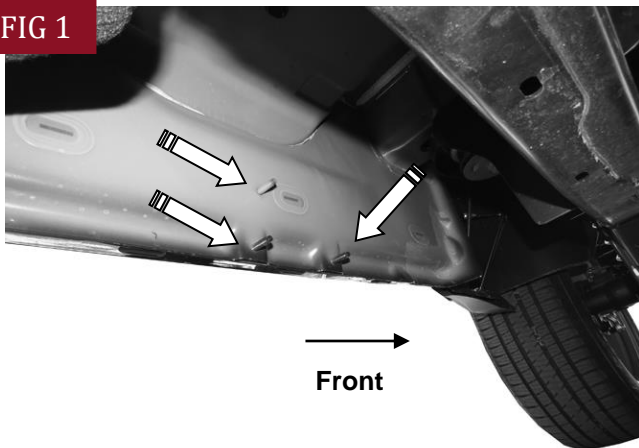
6mm Hex  
Nut

**PLEASE NOTE THAT THE FOLLOWING PICTURES ARE BASED ON THE DRIVER SIDE INSTALLATION**

## STEP 1

Start the installation under the Driver/Left side of the vehicle. Locate the front (3) factory studs along the inner side of the body panel, (Fig 1).

FIG 1

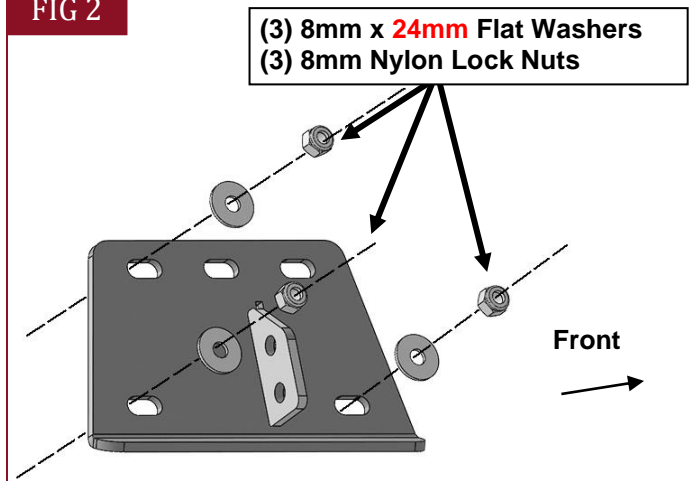


(Fig 1) Driver/Left Front mounting location

## STEP 2

Select (1) Front Upper Mounting Bracket (#2). Attach the Mounting Bracket to the (3) factory studs with (3) 8mm x 24mm Flat Washers and (3) 8mm Nylon Lock Nuts, (Fig 2). Do not tighten hardware.

FIG 2

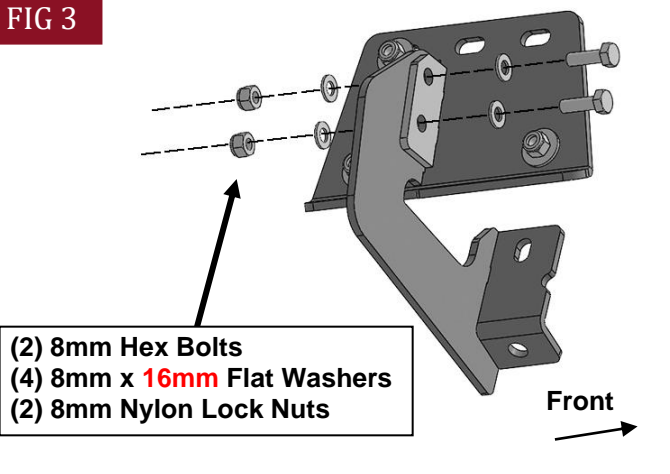


(Fig 2) Attach (1) Front Upper Mounting Bracket (#2) to the threaded studs

## STEP 3

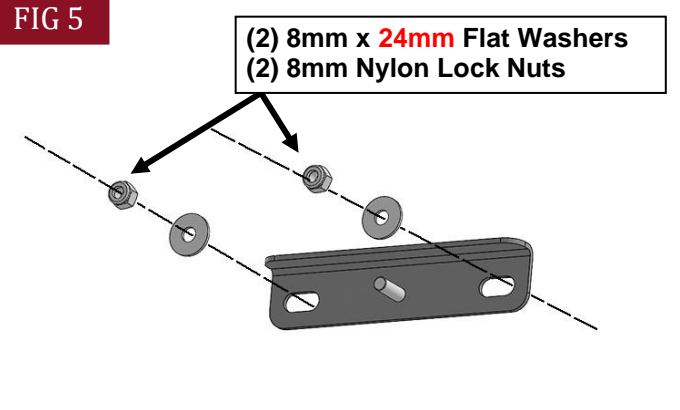
Select (1) Front Lower Mounting Bracket (#1). Attach the Lower Bracket to the short side of the Upper Bracket with (2) 8mm Hex Bolts, (4) 8mm x 16mm Flat Washers and (2) 8mm Nylon Lock Nuts, (Fig 3). Do not tighten hardware.

FIG 3



(Fig 3) Attach (1) Front Lower Mounting Bracket (#1) to the Upper Mounting Bracket (#2)

FIG 5

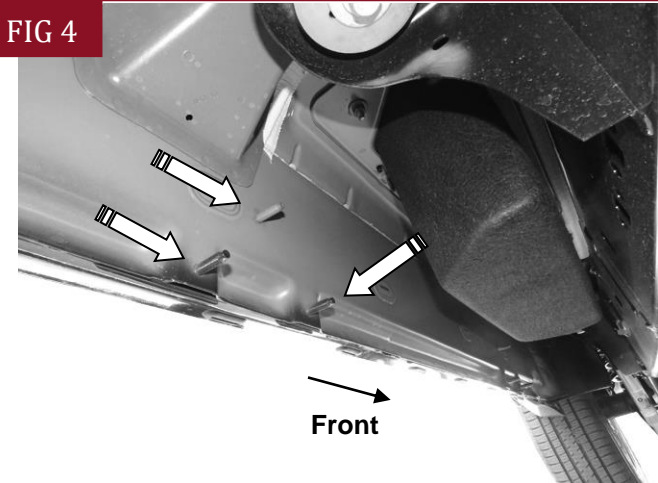


(Fig 5) Attach (1) Center/Rear Support Bracket (#5) to the lower (2) threaded studs on the mounting location

## STEP 4

Move to the center location, (Fig 4). Select (1) Center/Rear Support Bracket (#5). Attach the Support Bracket to the (2) lower threaded studs with (2) 8mm x 24mm Flat Washers and (2) 8mm Nylon Lock Nuts, (Fig 5).

FIG 4

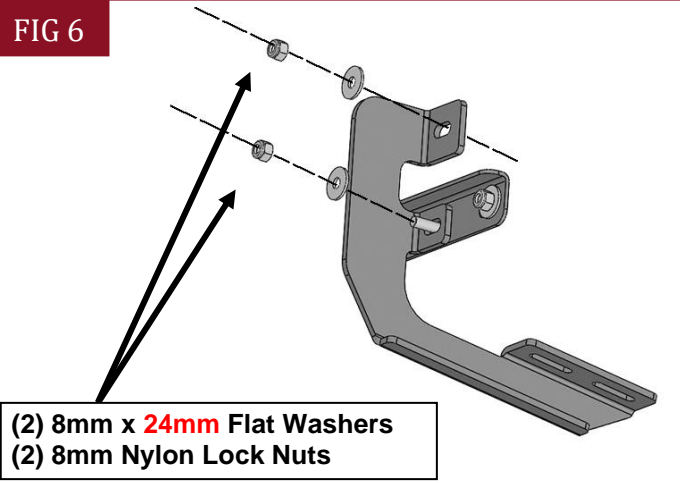


(Fig 4) Driver/Left Center mounting location

## STEP 5

Select (1) Center Mounting Bracket (#3) and attach to the Support Bracket and upper threaded stud with (2) 8mm x 24mm Flat Washers and (2) 8mm Nylon Lock Nuts, (Fig 6). Do not tighten hardware.

FIG 6

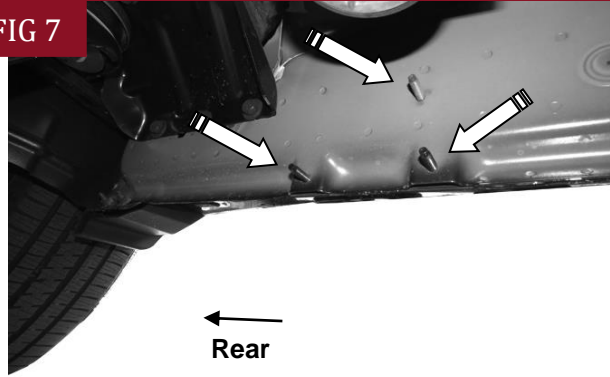


(Fig 6) Attach (1) Center Mounting Bracket (#3) to the upper threaded stud and Support Bracket (#5)

## STEP 6

Repeat **Steps 4 & 5** to attach (1) Center/Rear Support Bracket (#5) and (1) Rear Mounting Bracket (#4) to the rear mounting location, (**Figs 4- 7**). Do not tighten hardware.

FIG 7

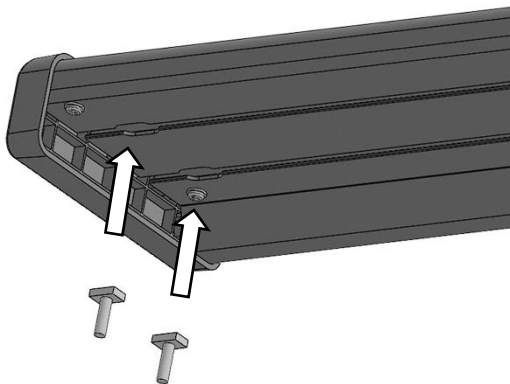


(Fig 7) Driver/Left Rear mounting location

## STEP 7

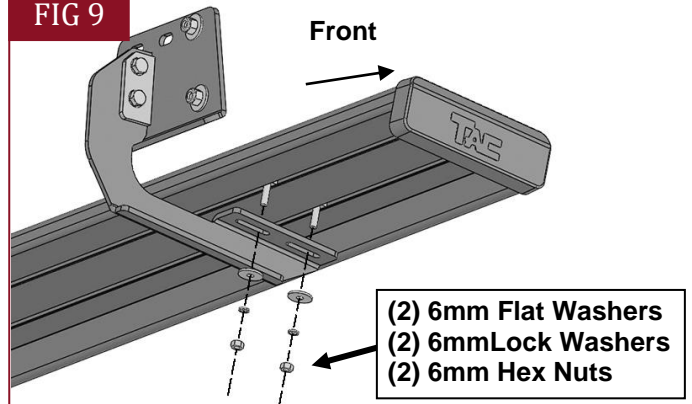
Select (1) Running Board. Insert (6) 6mm T-Bolts into the channels in the bottom of the Running Board, (**Fig 8**), (3 T-Bolts per channel). Attach the Running Board to the (3) Mounting Brackets with (6) 6mm Flat Washers, (6) 6mm Lock Washers and (6) 6mm Hex Nuts, (**Fig 9**). Do not tighten hardware.

FIG 8



(Fig 8) Insert (6) 6mm T-Bolts into the channels in the bottom of the Side Step, (3 T-Bolts per channel)

FIG 9



(Fig 9) Attach (1) Running Board to the (3) Mounting Brackets

## STEP 8

Level and adjust the Running Board as necessary and fully tighten all hardware.

## STEP 9

Repeat **Steps 1—8** to attach the other side Running Board to the vehicle.

## STEP 10

Do periodic inspections to the installation to make sure that all hardware is secure and tight.

### Attention

To protect your investment, do not use any type of polish or wax that may contain abrasives that could damage the finish.

Mild soap may be used also to clean the Running Boards.