



# SNIPER RUNNING BOARD

PART #: TAC-CDS9-006

**FITS:**

- 2019-Up Chevy Silverado 1500 Double Cab (Exclude LD Model)
- 2020-Up Chevy Silverado 2500-3500 Double Cab
- 2019-Up GMC Sierra 1500 Double Cab (Exclude Limited Model)
- 2020-Up GMC Sierra 2500-3500 Double Cab



60-120 min



Cutting Not Required



Drilling Not Required

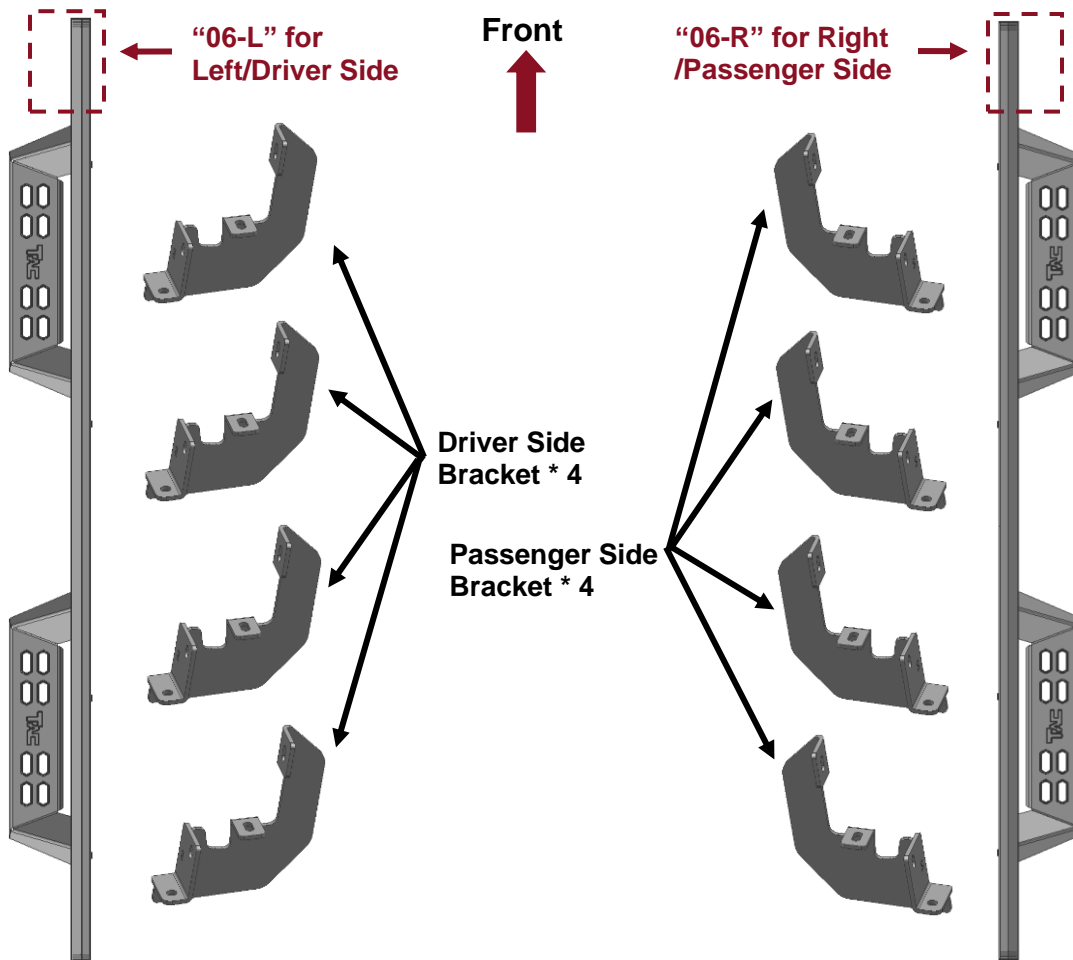
## Torque & Tools

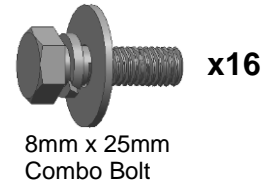
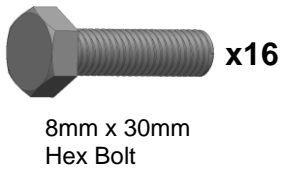
Fastener Size	Tightening Torque (ft-lbs)	Wrench Required		Allen Wrench Required	
			<input type="checkbox"/> 10mm		<input type="checkbox"/> 4mm
<input type="checkbox"/> 6mm	<input type="checkbox"/> 7-8.5		<input checked="" type="checkbox"/> 13mm		<input type="checkbox"/> 5mm
<input checked="" type="checkbox"/> 8mm	<input checked="" type="checkbox"/> 18-20		<input type="checkbox"/> 16mm		<input type="checkbox"/> 6mm
<input type="checkbox"/> 10mm	<input type="checkbox"/> 35-40		<input type="checkbox"/> 18mm		<input type="checkbox"/> 8mm
<input type="checkbox"/> 12mm	<input type="checkbox"/> 60-70				

### BEFORE INSTALLATION

REMOVE CONTENTS FROM BOX. VERIFY ALL PARTS ARE PRESENT. READ INSTRUCTIONS CAREFULLY BEFORE STARTING INSTALLATION. ASSISTANCE IS RECOMMENDED.

### Part List



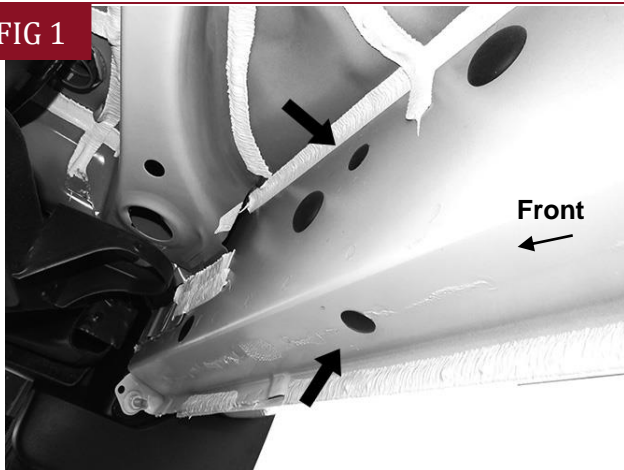


**PLEASE NOTE THAT THE FOLLOWING PICTURES ARE BASED ON THE PASSENGER SIDE INSTALLATION**

## STEP 1

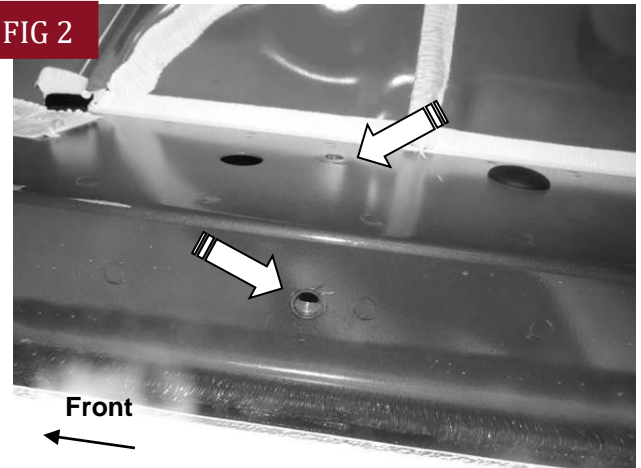
Start the installation under the Passenger/Right side of the vehicle. Locate the 8 plugs along the bottom edge of the body. Remove the plastic plugs from each mounting location, **(Fig 1)**.

**FIG 1**



**(Fig 1) Remove plastic plugs (arrows) to uncover threaded holes in floor**

**FIG 2**

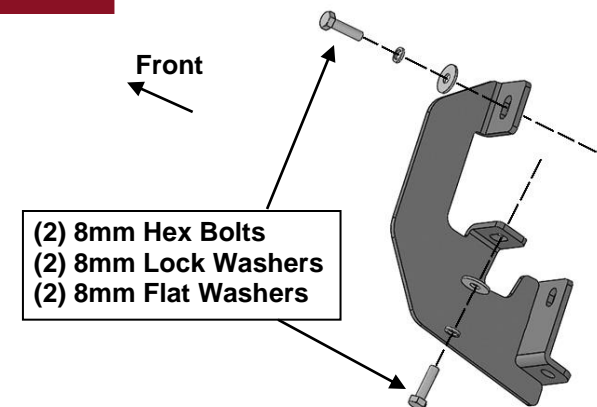


**(Fig 2) Threaded holes (arrows) under the plastic plugs**

## STEP 3

Select (1) Passenger/Right Mounting Bracket. Attach the Mounting Bracket to the factory threaded holes with (2) 8mm Hex Bolts, (2) 8mm Lock Washers and (2) 8mm Flat Washers, **(Fig 3)**. Do not tighten hardware.

**FIG 3**



**(Fig 3) Attach (1) Mounting Bracket to the Passenger/Right front location**

## STEP 2

Mounting Brackets will attach to all threaded mounting holes, **(Fig 2)**. Directly above each threaded hole is a top mounting location on the side of the body panel. Hold a Bracket up in place to help determine the mounting holes to use along the body. **NOTE: Thread an 8mm Hex Bolt into the threaded holes to clear paint as required.**

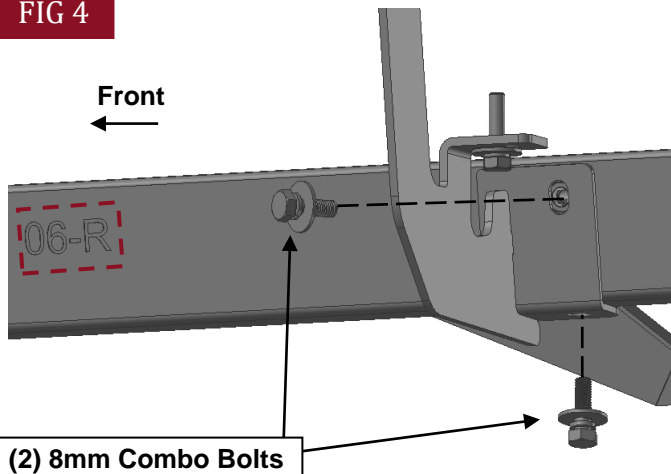
## STEP 4

Move along the body to the next mounting location. Repeat **Steps 1 - 3** to attach the remaining (3) Passenger/Right Mounting Bracket to the (3) remaining locations.

## STEP 5

Select the Passenger/Right Running Board. **NOTE:** The Passenger/Right Running Board will have a "06-R" on the front. Place the Running Board onto the Mounting Brackets. **IMPORTANT:** Do not slide the Running Board front to back or damage to the finish may result. Attach the Running Board to the Mounting Brackets with (8) 8mm Combo Bolts, (**Fig 4**).

FIG 4



(Fig 4) Attach the Passenger/Right Running Board to the Mounting Brackets

## STEP 6

Level and adjust the Running Board and fully tighten all hardware.

## STEP 7

Repeat **Steps 1—6** to attach the Driver/Left Running Board.

## STEP 8

Do periodic inspections to the installation to make sure that all hardware is secure and tight.

### Attention

To protect your investment, do not use any type of polish or wax that may contain abrasives that could damage the finish.

Mild soap may be used also to clean the Running Boards.