



SPEAR RUNNING BOARD

PART #: TAC-CA6-005

FITS:

- 2019-Up Chevy Silverado 1500 Crew Cab
- 2020-Up Chevy Silverado 2500-3500 Crew Cab
- 2019-Up GMC Sierra 1500 Crew Cab
- 2020-Up GMC Sierra 2500-3500 Crew Cab



60-120 min



Cutting Not Required



Drilling May Required

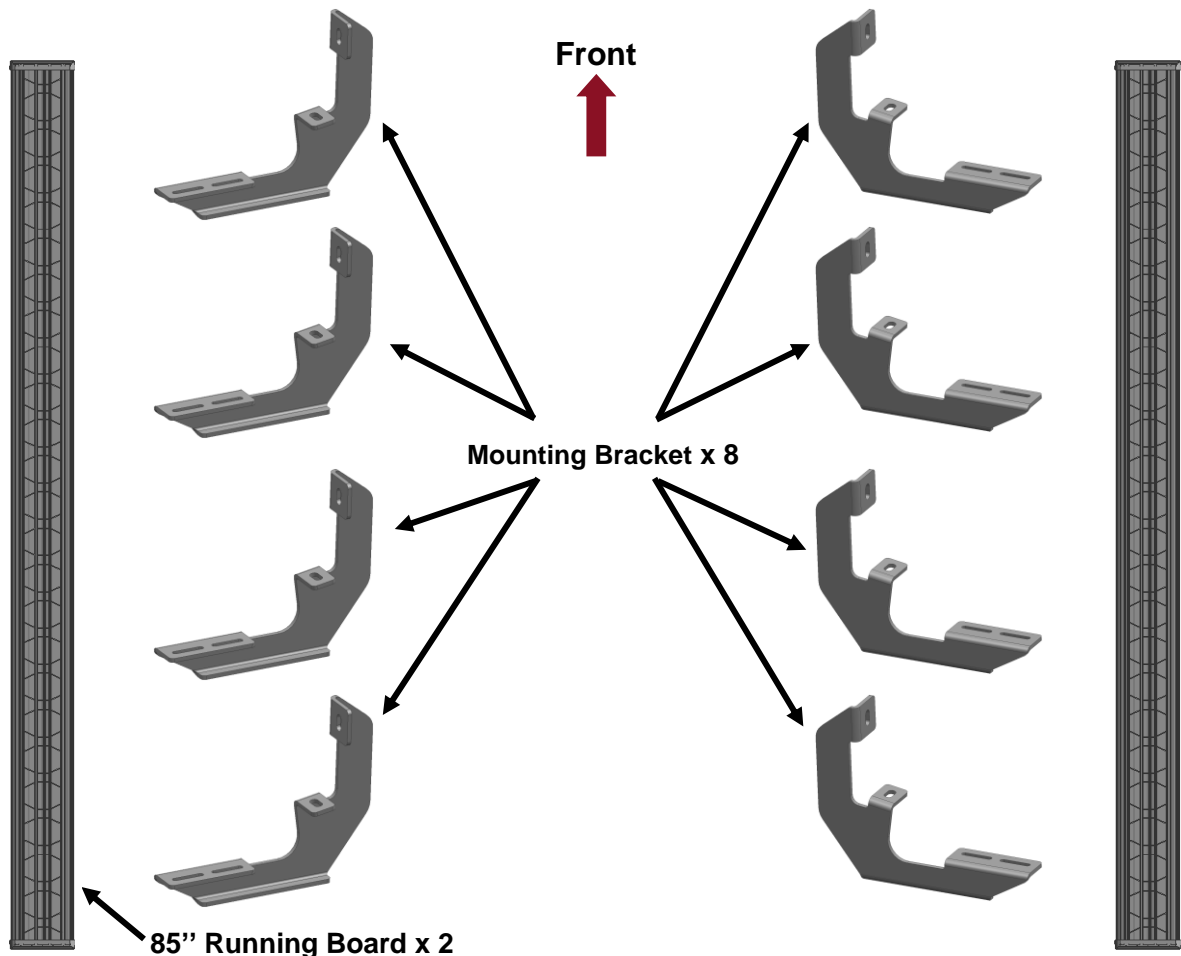
Torque & Tools

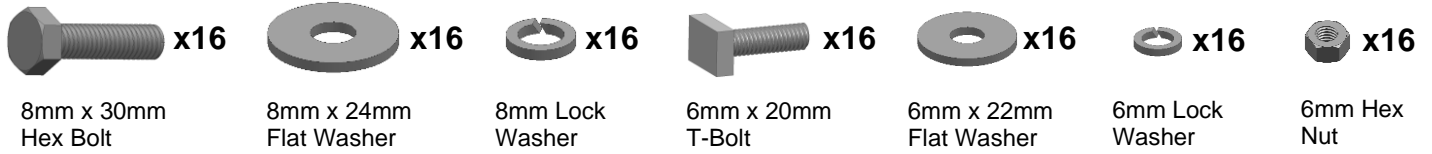
Fastener Size	Tightening Torque (ft-lbs)	Wrench Required	Allen Wrench Included
<input checked="" type="checkbox"/> 6mm	<input checked="" type="checkbox"/> 7-8.5		
<input checked="" type="checkbox"/> 8mm	<input checked="" type="checkbox"/> 18-20		
<input type="checkbox"/> 10mm	<input type="checkbox"/> 35-40		
<input type="checkbox"/> 12mm	<input type="checkbox"/> 60-70		
		<input checked="" type="checkbox"/> 10mm	<input type="checkbox"/> 4mm
		<input checked="" type="checkbox"/> 13mm	<input type="checkbox"/> 5mm
		<input type="checkbox"/> 16mm	<input type="checkbox"/> 6mm
		<input type="checkbox"/> 18mm	<input type="checkbox"/> 8mm

BEFORE INSTALLATION

REMOVE CONTENTS FROM BOX. VERIFY ALL PARTS ARE PRESENT. READ INSTRUCTIONS CAREFULLY BEFORE STARTING INSTALLATION. ASSISTANCE IS RECOMMENDED.

Part List





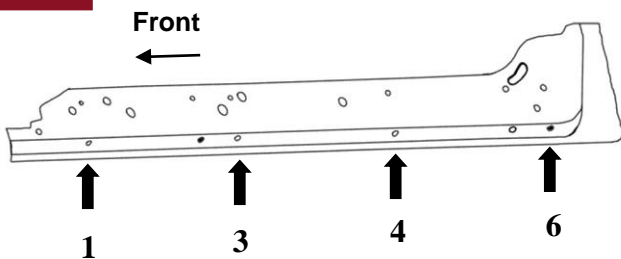
PLEASE NOTE THAT THE FOLLOWING PICTURES ARE BASED ON THE PASSENGER SIDE INSTALLATION

STEP 1

Start the installation under the Passenger/Right side of the vehicle.

- For “Early” 2019 models, locate the 8 plugs along the bottom edge of the body. Mounting Brackets will bolt to the 1st, 3rd, 4th and 6th threaded mounting holes, (Fig 1).
- For “Late” 2019 models, all (4) mounting locations will be used.

FIG 1

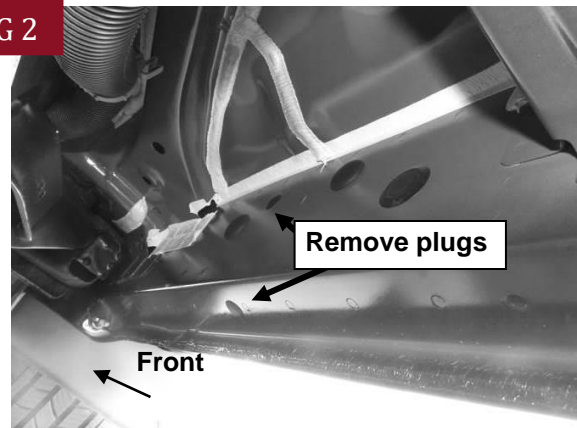


(Fig 1) Passenger/Right “Early” rocker panel mounting locations (arrows) NOTE: Hold Bracket up to body panel to help determine the correct mounting locations.

STEP 2

Remove the plastic plugs from the Passenger/Right front mounting location, (Fig 2).

FIG 2

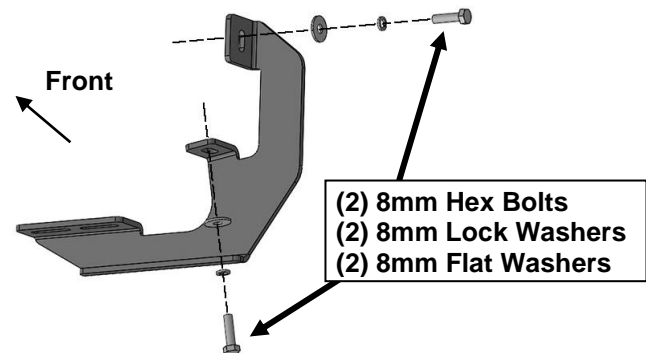


(Fig 2) Remove plastic plugs to uncover threaded inserts

STEP 3

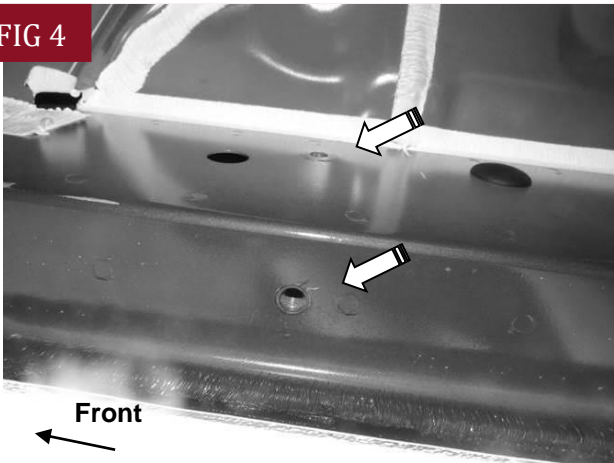
Select (1) Mounting Bracket. Attach the Mounting Bracket to the factory threaded holes with (2) 8mm Hex Bolts, (2) 8mm Lock Washers and (2) 8mm Flat Washers, (Fig 3 & 4). Do not tighten hardware.

FIG 3



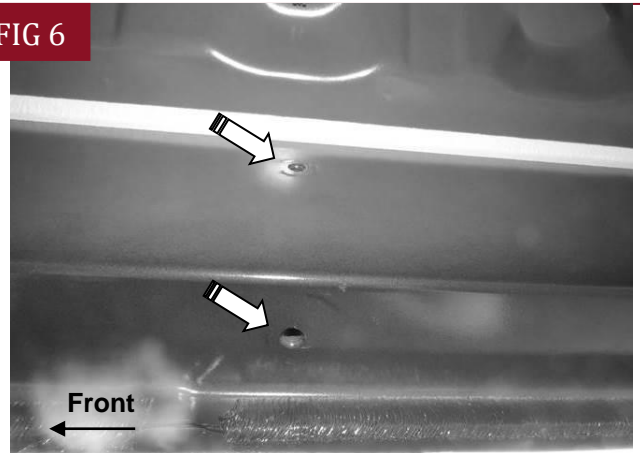
(Fig 3) Attach (1) Mounting Bracket to the mounting location

FIG 4



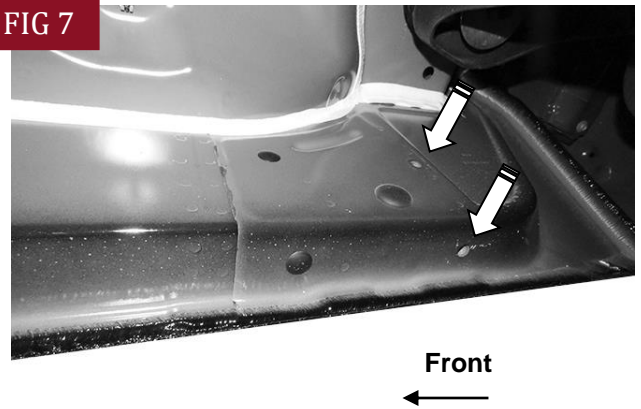
(Fig 4) Passenger/Right front mounting location

FIG 6



(Fig 6) Passenger/Right 3rd mounting location

FIG 7

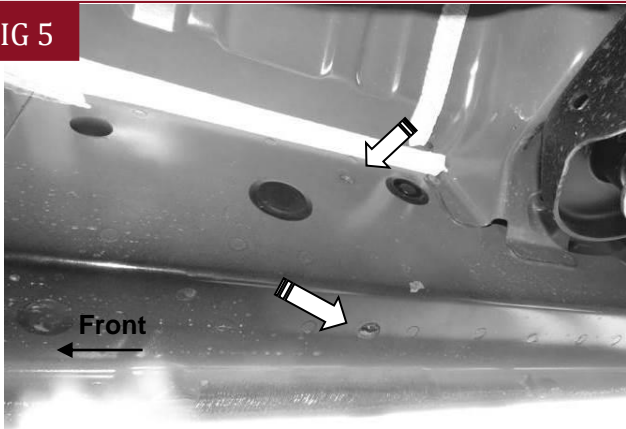


(Fig 7) Passenger/Right near mounting location

STEP 4

Repeat **Steps 1 - 3** to attach the (3) remaining Mounting Brackets to the (3) remaining locations along the rocker panel, (**Figs 5—7**). Do not tighten hardware.

FIG 5

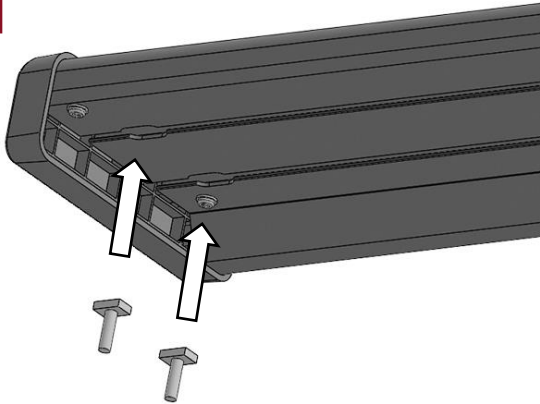


(Fig 5) Passenger/Right 2nd mounting location

STEP 5

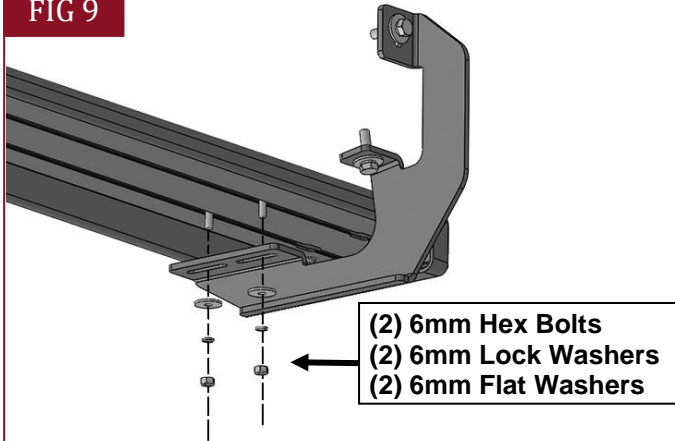
Select (1) Running Board. Insert (8) 6mm T-Bolts into the channels in the bottom of the Running Board, (**Fig 8**), (4 T-Bolts per channel). Attach the Running Board to the (4) Mounting Brackets with (8) 6mm Flat Washers, (8) 6mm Lock Washers and (8) 6mm Hex Nuts, (**Fig 9**). Do not tighten hardware.

FIG 8



(Fig 8) Insert (8) 6mm T-Bolts into the channels in the bottom of the Side Step, (4 T-Bolts per channel)

FIG 9



(Fig 9) Attach (1) Running Board to the Mounting Brackets

STEP 6

Level and adjust the Running Board and fully tighten all hardware.

STEP 7

Repeat **Steps 1—6** to attach the other side Running Board.

STEP 8

Do periodic inspections to the installation to make sure that all hardware is secure and

Attention

To protect your investment, do not use any type of polish or wax that may contain abrasives that could damage the finish.

Mild soap may be used also to clean the Running Boards.