



# SIDEWINDER RUNNING BOARD

PART #: SW-T25

**FITS:** 2007-2021 Toyota Tundra Double Cab



60-120 min



Cutting Not Required



Drilling Not Required

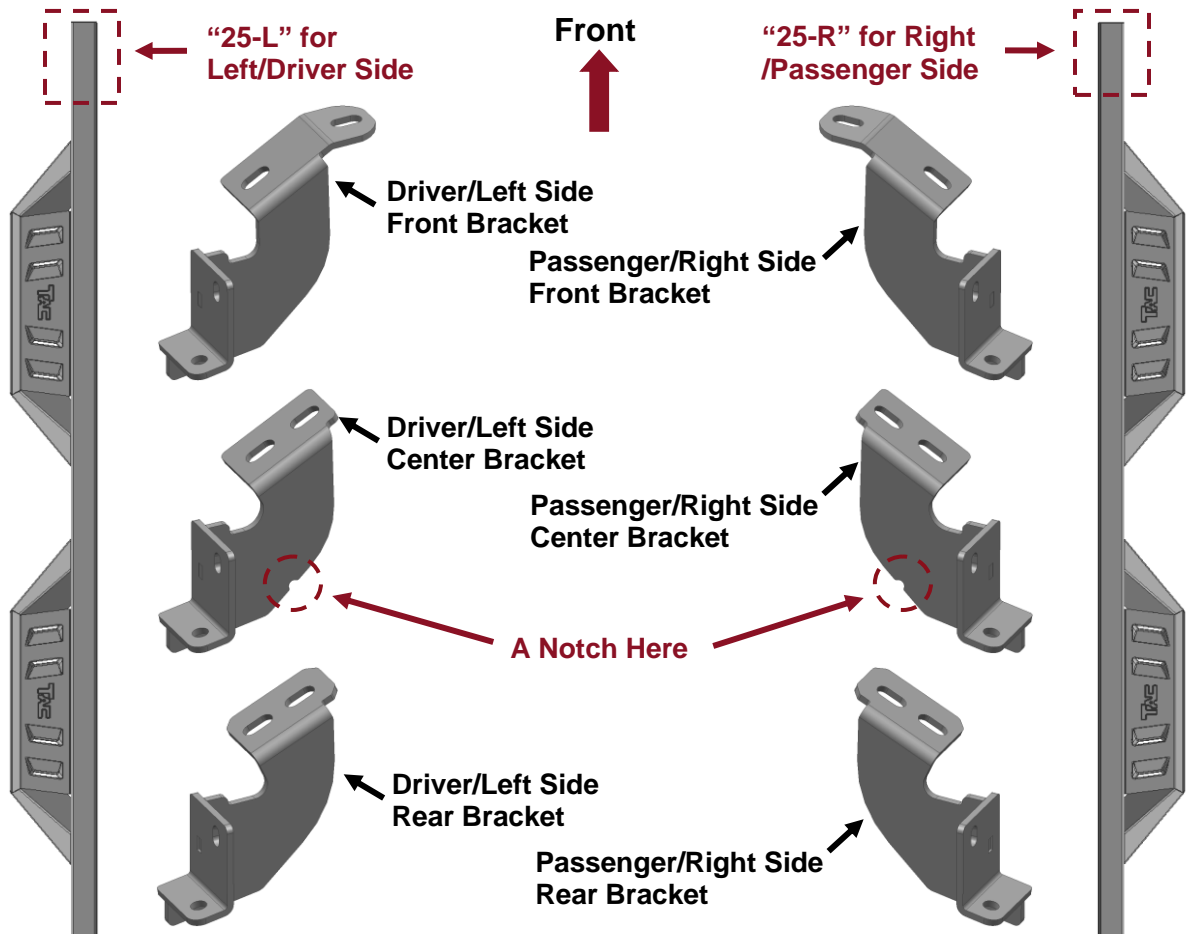
## Torque & Tools

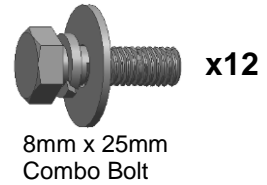
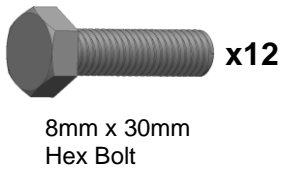
Fastener Size	Tightening Torque (ft-lbs)	Wrench Required		Allen Wrench Required	
			<input type="checkbox"/> 10mm		<input type="checkbox"/> 4mm
6mm	7-8.5		<input checked="" type="checkbox"/> 13mm		<input type="checkbox"/> 5mm
8mm	18-20		<input type="checkbox"/> 16mm		<input type="checkbox"/> 6mm
10mm	35-40		<input type="checkbox"/> 18mm		<input type="checkbox"/> 8mm
12mm	60-70				

### BEFORE INSTALLATION

REMOVE CONTENTS FROM BOX. VERIFY ALL PARTS ARE PRESENT. READ INSTRUCTIONS CAREFULLY BEFORE STARTING INSTALLATION. ASSISTANCE IS RECOMMENDED.

### Part List



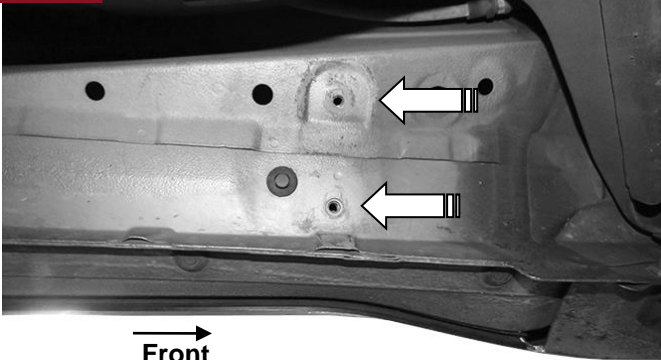


**PLEASE NOTE THAT THE FOLLOWING PICTURES ARE BASED ON THE DRIVER SIDE INSTALLATION**

## STEP 1

Starting on the Driver/Left front of the vehicle, remove the plastic plugs, (or hex bolts), covering the threaded holes in the body panel, **(Fig 1)**.

FIG 1



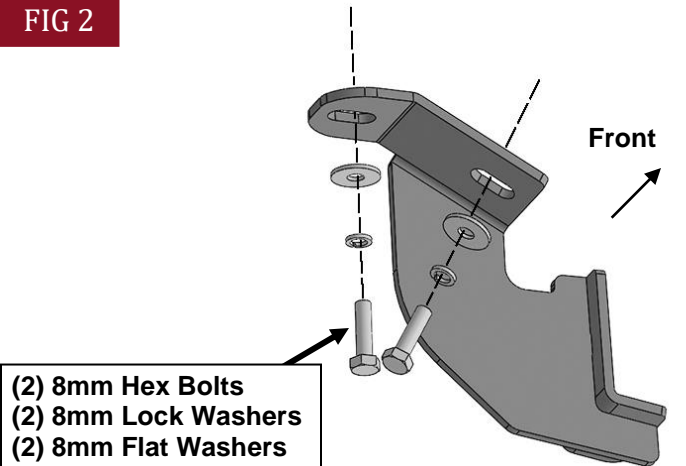
Remove plastic plugs or factory hex bolts (if equipped)

**(Fig 1) Driver/Left front mounting location**

## STEP 2

Select the Driver/Left Front Mounting Bracket. Attach the Bracket to the vehicle with (2) 8mm Hex Bolts, (2) 8mm Lock Washers and (2) 8mm Flat Washers, **(Fig 2)**. Do not tighten hardware at this time.

FIG 2



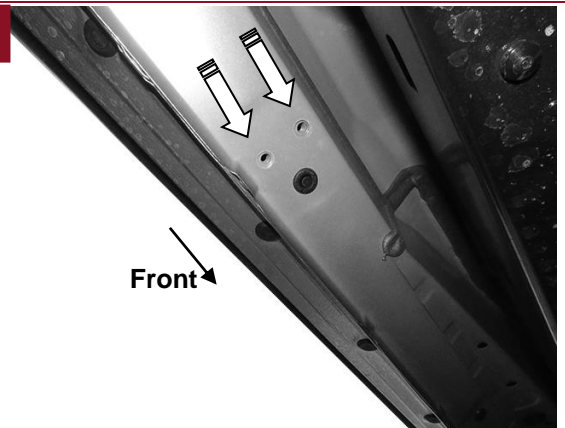
(2) 8mm Hex Bolts  
(2) 8mm Lock Washers  
(2) 8mm Flat Washers

**(Fig 2) Attach Driver/Left Front Mounting Bracket to the front mounting location**

## STEP 3

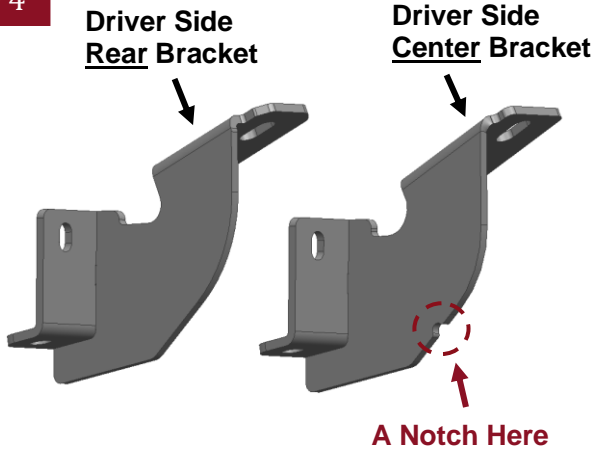
Move along the body panel to the center mounting location, **(Fig 3)**. Select Driver/Left Center Mounting Bracket, **(Fig 4)**. **IMPORTANT: The Center and Rear Mounting Brackets look very similar but are unique. The Center Mounting Bracket has a Notch on the bottom.** Repeat **Step 2** to install the Mounting Bracket on center mounting location, **(Fig 5)**. Do not tighten hardware.

FIG 3



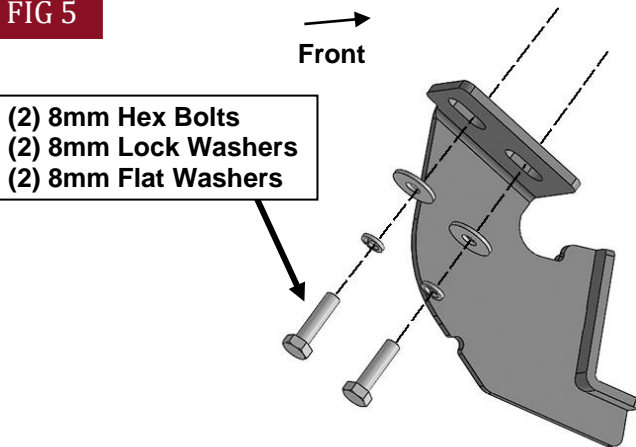
**(Fig 3) Driver/Left center mounting location**

FIG 4



(Fig 4) The Center and Rear Mounting Brackets are similar but are unique

FIG 5

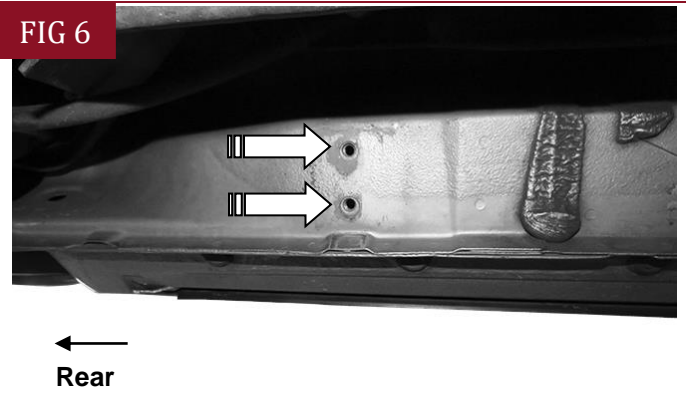


(Fig 5) Attach Driver/Left Center Mounting Brackets to the center mounting locations

## STEP 4

Move along the body panel to the rear mounting location, (Fig 6). Select Driver/Left Rear Mounting Bracket, (Fig 4). **IMPORTANT:** The Rear and Center Mounting Brackets look very similar but are unique. Please identify the Rear Bracket according to the Fig 4 illustration. Repeat Step 2 to install the Mounting Bracket on rear mounting location, (Fig 5). Do not tighten hardware.

FIG 6

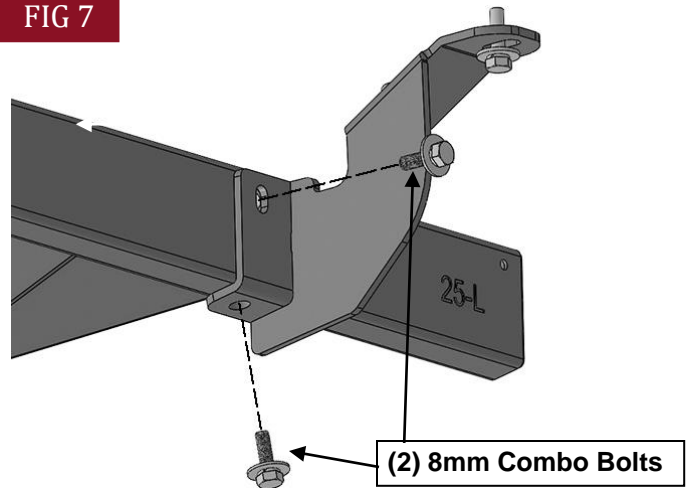


(Fig 6) Driver/Left rear mounting location

## STEP 5

Select the Driver/Left Running Board. **NOTE:** The Driver/Left Running Board will have a "25-L" on the front. Carefully place Running Board on the brackets. **IMPORTANT:** Do not slide the Running Board front to back or damage to the finish may result. Attach Running Board to the (3) Mounting Brackets with (6) 8mm Combo Bolts, (Fig 7). Do not tighten hardware.

FIG 7



(Fig 7) Attach Driver/Left Running Board to the Mounting Brackets

---

## STEP 6

Level and adjust the Running Board and fully tighten all hardware.

---

## STEP 7

Repeat **Steps 1—6** to attach the Passenger/Right Running Board.

---

## STEP 8

Do periodic inspections to the installation to make sure that all hardware is secure and tight.

### Attention

To protect your investment, do not use any type of polish or wax that may contain abrasives that could damage the finish.

Mild soap may be used also to clean the Running Boards.