



# SIDEWINDER RUNNING BOARD

PART #: SW-F29

**FITS:** 2021-Up Ford Bronco 2 Door



60-120 min





Cutting Not Required



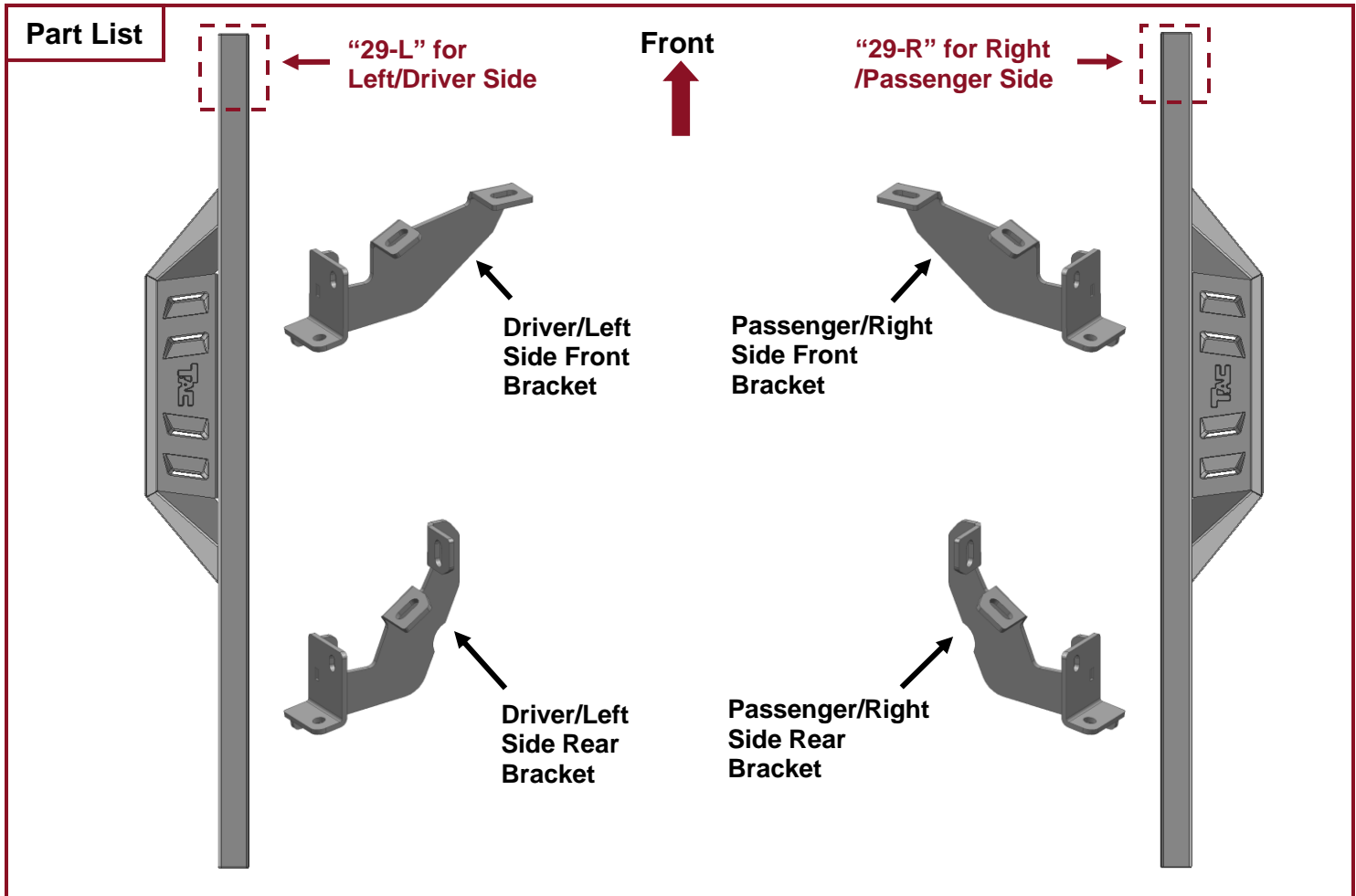
Drilling Not Required

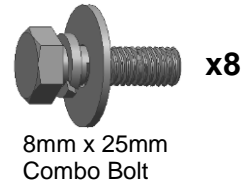
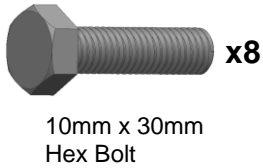
## Torque & Tools

| Fastener Size | Tightening Torque (ft-lbs) | Wrench Required  | Allen Wrench Required   |                              |
|---------------|----------------------------|--|---|------------------------------|
|               |                            |  |  |                              |
| 6mm           | 7-8.5                      |  | <input type="checkbox"/> 10mm   | <input type="checkbox"/> 4mm |
| 8mm           | 18-20                      |  | <input checked="" type="checkbox"/> 13mm  | <input type="checkbox"/> 5mm |
| 10mm          | 35-40                      |  | <input checked="" type="checkbox"/> 16mm  | <input type="checkbox"/> 6mm |
| 12mm          | 60-70                      |  | <input type="checkbox"/> 18mm   | <input type="checkbox"/> 8mm |

### BEFORE INSTALLATION

REMOVE CONTENTS FROM BOX. VERIFY ALL PARTS ARE PRESENT. READ INSTRUCTIONS CAREFULLY BEFORE STARTING INSTALLATION. ASSISTANCE IS RECOMMENDED.





**PLEASE NOTE THAT THE FOLLOWING PICTURES ARE BASED ON THE PASSENGER SIDE INSTALLATION**

## STEP 1

Starting from underneath the Passenger/Right body panel, locate the front mounting location and the threaded holes in the body panel, **(Fig 1)**. Remove the plastic plugs covering the holes.

**FIG 1**



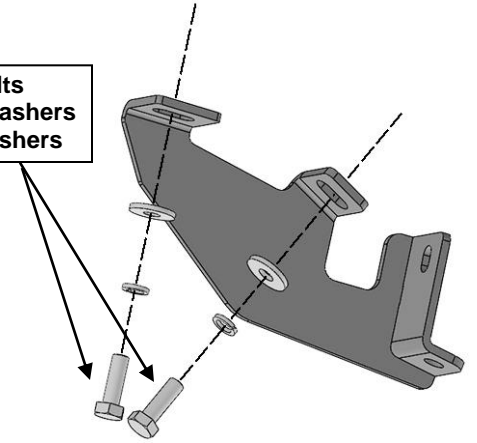
**(Fig 1) Passenger/Right front mounting location**

## STEP 2

Select the Passenger/Right Front Mounting Bracket. Attach the Mounting Bracket to the front location with (2) 10mm Hex Bolts, (2) 10mm Lock Washers and (2) 10mm Flat Washers, **(Fig 2)**. Do not tighten hardware.

**FIG 2**

(2) 10mm Hex Bolts  
(2) 10mm Lock Washers  
(2) 10mm Flat Washers

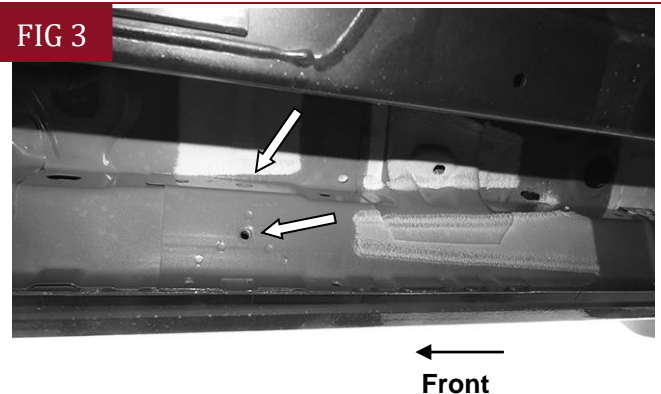


**(Fig 2) Attach the Passenger/Right Front Mounting Bracket to the front location**

## STEP 3

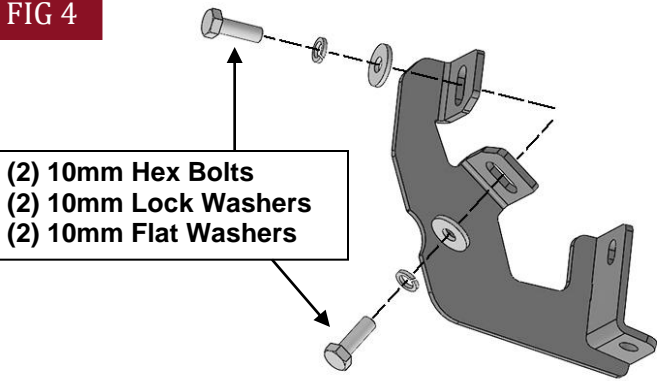
Repeat **Steps 1-2** to attach (1) Passenger/Right Rear Mounting Brackets to the rear locations, **(Figs 3-4)**. Do not tighten hardware.

**FIG 3**



**(Fig 3) Passenger/Right rear mounting location**

FIG 4



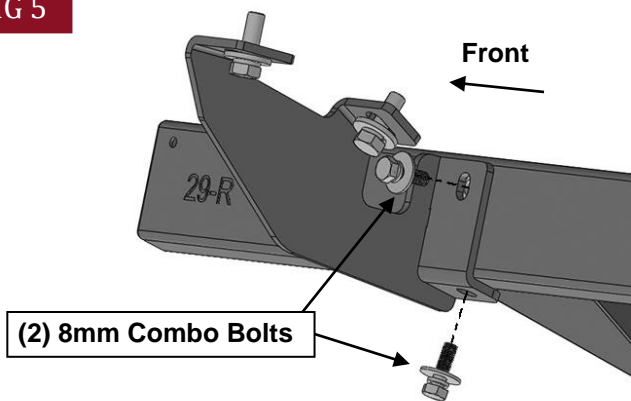
(Fig 4) Attach (1) Passenger/Right Rear Mounting Bracket to the rear location.

## STEP 4

Select the Passenger/Right Running Board.

**NOTE:** The Passenger/Right Running Board will have a “29-R” on the front. Carefully place Running Board on the brackets. Attach Running Board to the (3) Mounting Brackets with (6) 8mm Combo Bolts, (Fig 5). Do not tighten hardware.

FIG 5



(Fig 5) Attach the Passenger/Right Running Board to the Mounting Brackets

## STEP 5

Level and adjust the Running Board and fully tighten all hardware.

## STEP 6

Repeat **Steps 1—5** to attach the Driver/Left Running Board.

## STEP 7

Do periodic inspections to the installation to make sure that all hardware is secure and tight.

### Attention

To protect your investment, do not use any type of polish or wax that may contain abrasives that could damage the finish.

Mild soap may be used also to clean the Running Boards.