



# SIDEWINDER RUNNING BOARD

PART #: SW-F13N

**FITS:**

- 2015-Up Ford F150 SuperCrew Cab
- 2022-Up Ford F150 Lightning EV SuperCrew Cab
- 2017-Up Ford F250/F350/F450/F550 Super Duty Crew Cab



60-120 min



Cutting Not Required



Drilling Not Required

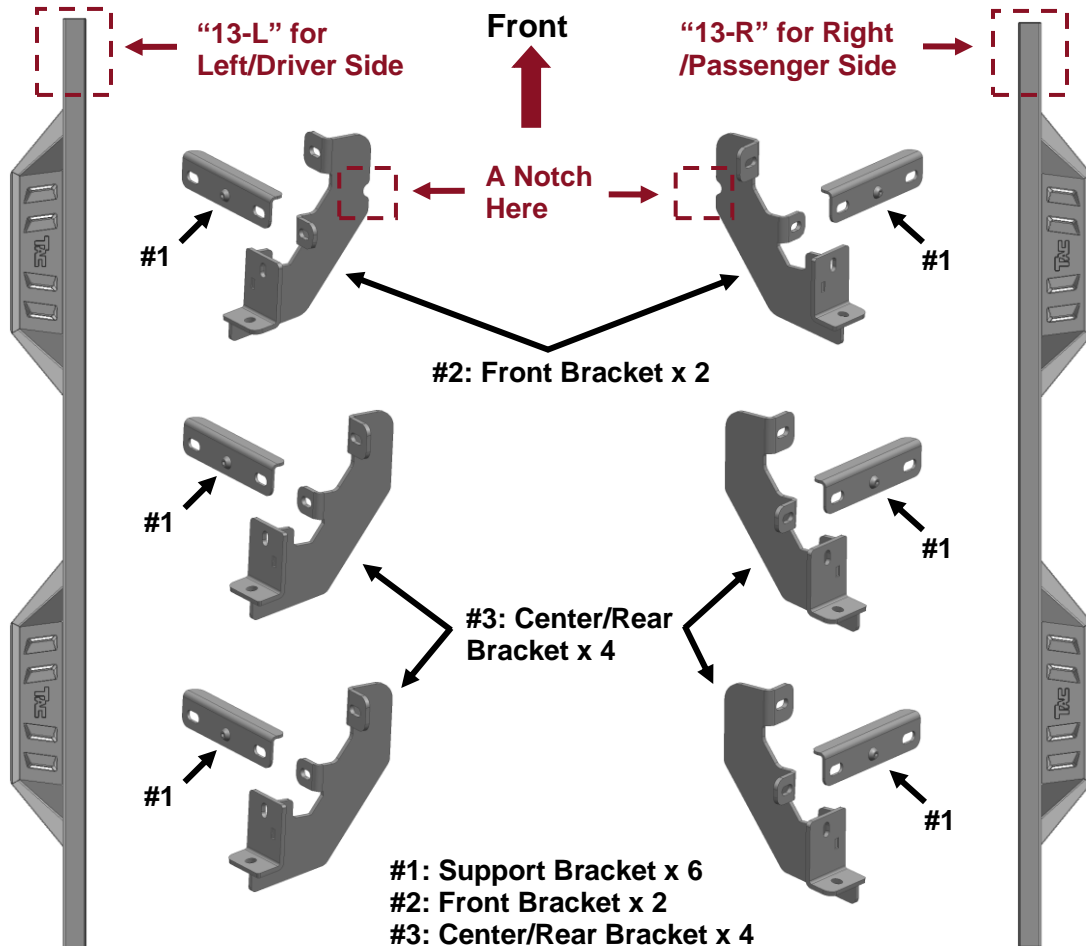
## Torque & Tools

Fastener Size	Tightening Torque (ft-lbs)	Wrench Required	Allen Wrench Required	
				<input type="checkbox"/>
6mm	7-8.5		<input type="checkbox"/> 10mm	<input type="checkbox"/> 4mm
8mm	18-20		<input checked="" type="checkbox"/> 13mm	<input type="checkbox"/> 5mm
10mm	35-40		<input type="checkbox"/> 16mm	<input type="checkbox"/> 6mm
12mm	60-70		<input type="checkbox"/> 18mm	<input type="checkbox"/> 8mm

### BEFORE INSTALLATION

REMOVE CONTENTS FROM BOX. VERIFY ALL PARTS ARE PRESENT. READ INSTRUCTIONS CAREFULLY BEFORE STARTING INSTALLATION. ASSISTANCE IS RECOMMENDED.

### Part List





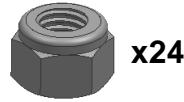
8mm Plastic Washer

x18



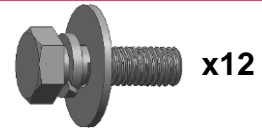
8mm x 24mm Flat Washer

x24



8mm Nylon Lock Nut

x24



8mm x 25mm Combo Bolt

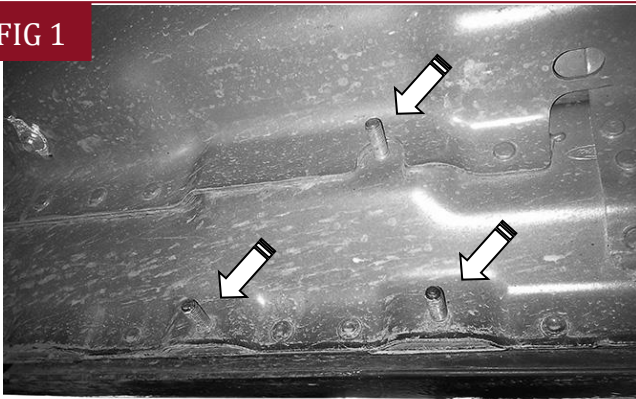
x12

**PLEASE NOTE THAT THE FOLLOWING PICTURES ARE BASED ON THE PASSENGER SIDE INSTALLATION**

## STEP 1

Start the installation under the Passenger/Right side of the vehicle. Locate the front factory mounting location along the inner side of the body, **(Fig 1)**. Use a wire brush or thread chaser die to remove excess paint and/or undercoating from all studs.

FIG 1

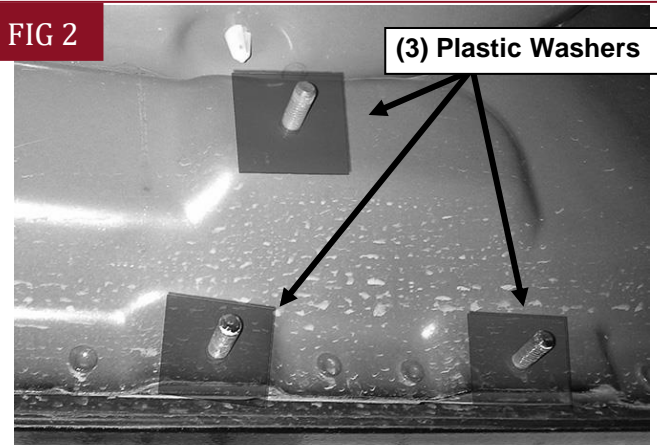


**(Fig 1) Example of typical mounting location**

## STEP 2

Slide (1) Plastic Washer over each of the (3) factory mounting studs in the body panel, **(Fig 2)**. **IMPORTANT:** The Plastic Washers are designed to prevent corrosion between the aluminum body panel and the steel mounting brackets. **Do not install the Brackets without the Plastic Washers.**

FIG 2

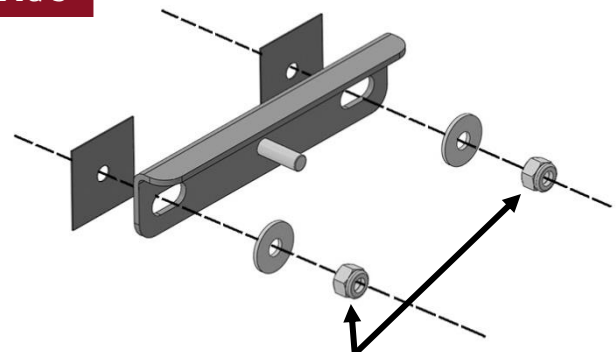


**(Fig 2) Thread Plastic Washers onto all mounting studs**

## STEP 3

Select (1) Support Mounting Bracket **(#1)**. Attach the Bracket to the studs with (2) 8mm Flat Washers and (2) 8mm Nylon Lock Nuts, **(Figs 3-4)**. Do not tighten hardware.

FIG 3



(2) 8mm Plastic Washers  
(2) 8mm Flat Washers  
(2) 8mm Nylon Lock Nuts

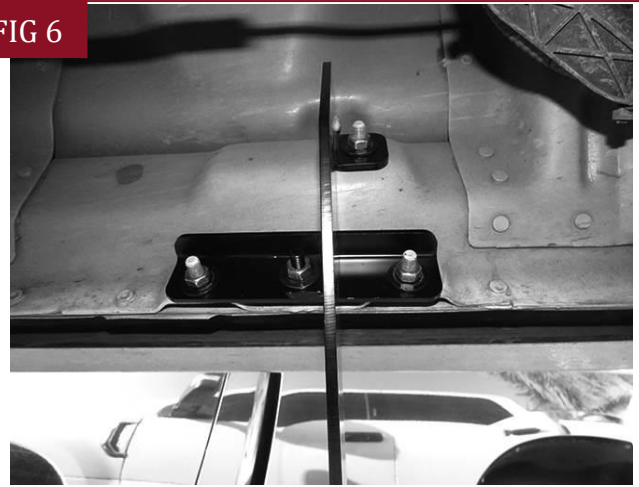
**(Fig 3) Attach (1) Support Bracket (#1) to the threaded studs**

FIG 4



(Fig 4) Example of the Support Bracket (#1) attached to the threaded studs

FIG 6

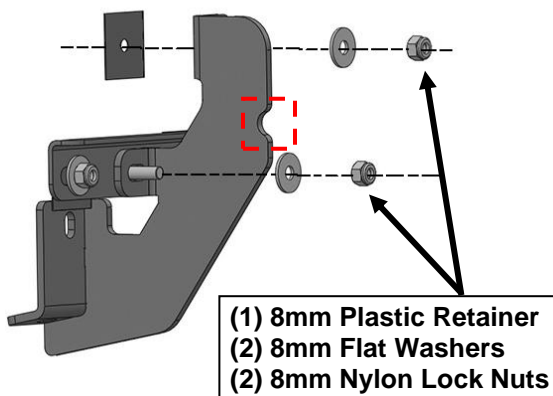


(Fig 6) Example of the Mounting Bracket attached to the upper mounting stud and Support Bracket

## STEP 4

Then attach (1) Front Mounting Bracket (#2) to the upper factory mounting stud and support bracket with (1) Plastic Retainer, (2) 8mm Flat Washers, and (2) 8mm Nylon Lock Nuts, (Figs 5-6). **Note:** There is a notch on the back of the Front bracket.

FIG 5



(Fig 5) Attach Front Mounting Bracket (#2) to the upper mounting stud and Support Bracket

## STEP 5

Repeat **Step 3—4** to attach the remaining (2) Support Mounting Brackets (#1) and (2) Center/Rear Mounting Brackets (#3) to the center and rear mounting locations along the body panel, (Figs 7-8).

FIG 7



(Fig 7) Passenger/Right Center mounting location

FIG 8



→  
Rear

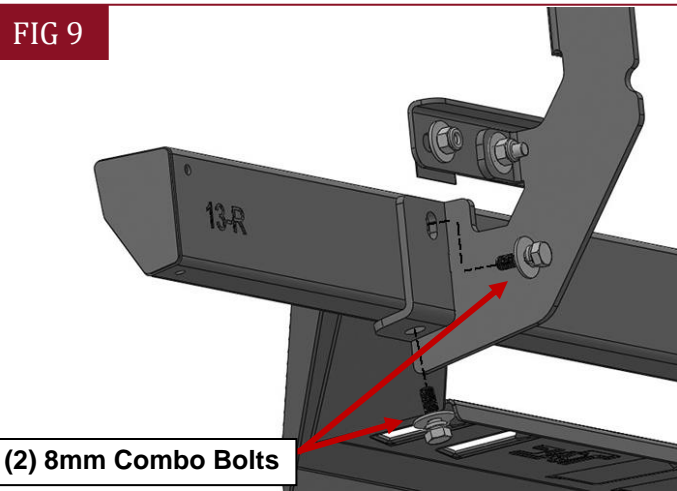
(Fig 8) Passenger/Right Rear mounting location

## STEP 6

Select the Passenger/Right Running Board.

**NOTE:** The Passenger/Right Running Board will have a "13-R" on the front. Attach the Running Board to the Mounting Brackets with (6) 8mm Combo Bolts, (Fig 9).

FIG 9



(Fig 9) Attach the Passenger/Right Running Board to the Mounting Brackets

## STEP 7

Level and adjust the Running Board and tighten all hardware.

## STEP 8

Repeat **Steps 1—7** to attach Driver/Left Running Board.

## STEP 9

Do periodic inspections to the installation to make sure that all hardware is secure and tight.

### Attention

To protect your investment, do not use any type of polish or wax that may contain abrasives that could damage the finish.

Mild soap may be used also to clean the Running Boards.