



SIDEWINDER RUNNING BOARD

PART #: SW-D10

FITS:

2009-2018 Dodge RAM 1500 Regular Cab
 2019-2023 Dodge RAM 1500 **Classic** Model Regular Cab
 2010-Up Dodge RAM 2500 / 3500 Regular Cab



60-120 min



Cutting Not Required



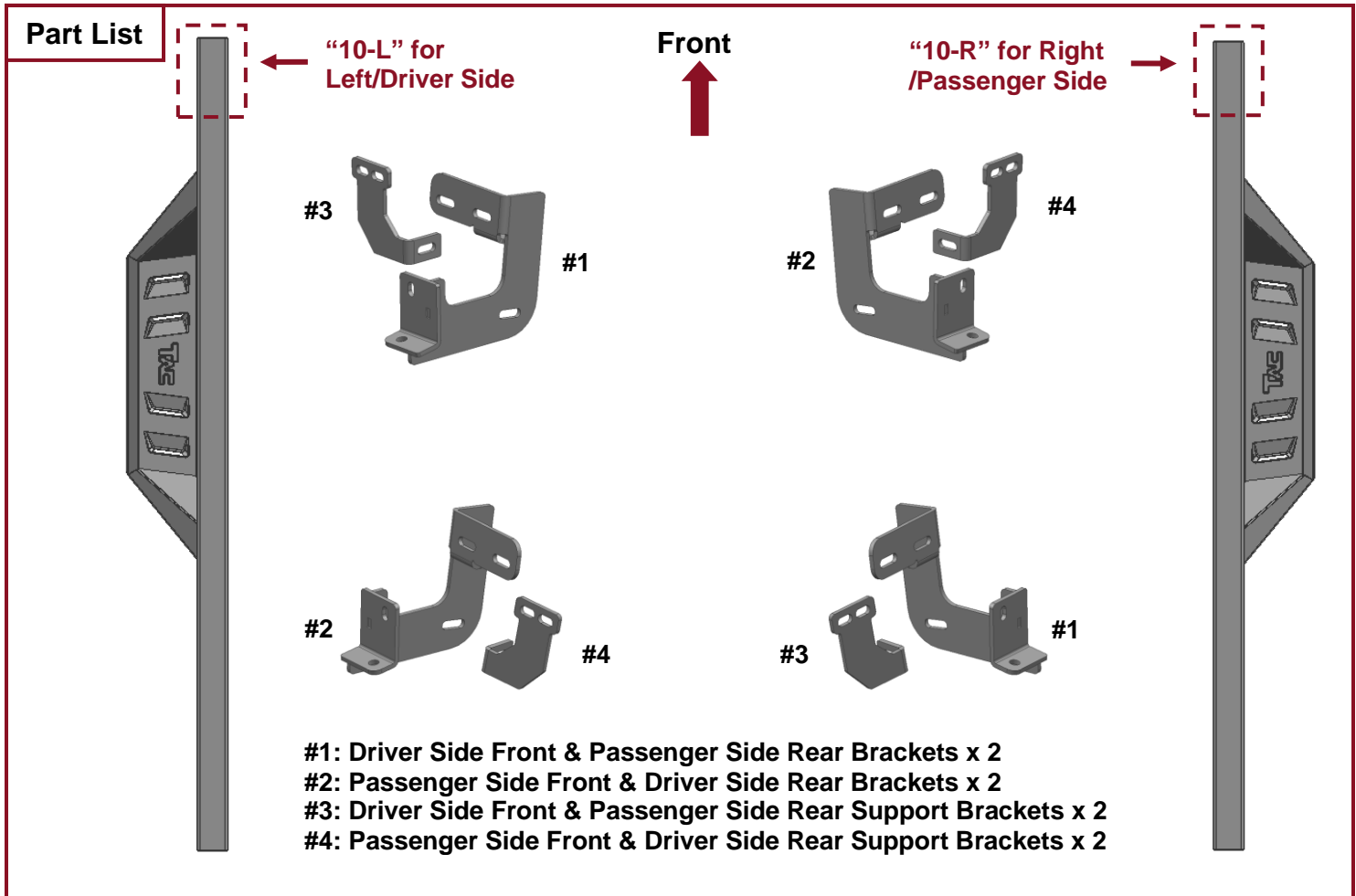
Drilling May Required

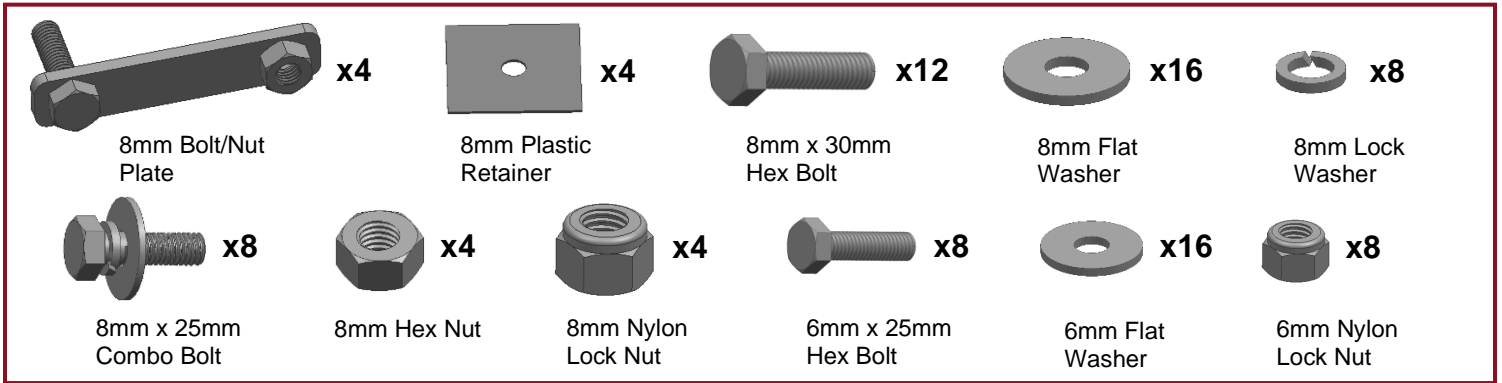
Torque & Tools

| Fastener Size | Tightening Torque (ft-lbs) | Wrench Required | | Allen Wrench Required | |
|---------------|----------------------------|-----------------|--|-----------------------|------------------------------|
| | | | <input checked="" type="checkbox"/> 10mm | | <input type="checkbox"/> 4mm |
| 6mm | 7-8.5 | | <input checked="" type="checkbox"/> 13mm | | <input type="checkbox"/> 5mm |
| 8mm | 18-20 | | <input type="checkbox"/> 16mm | | <input type="checkbox"/> 6mm |
| 10mm | 35-40 | | <input type="checkbox"/> 18mm | | <input type="checkbox"/> 8mm |
| 12mm | 60-70 | | | | |

BEFORE INSTALLATION

REMOVE CONTENTS FROM BOX. VERIFY ALL PARTS ARE PRESENT. READ INSTRUCTIONS CAREFULLY BEFORE STARTING INSTALLATION. ASSISTANCE IS RECOMMENDED.

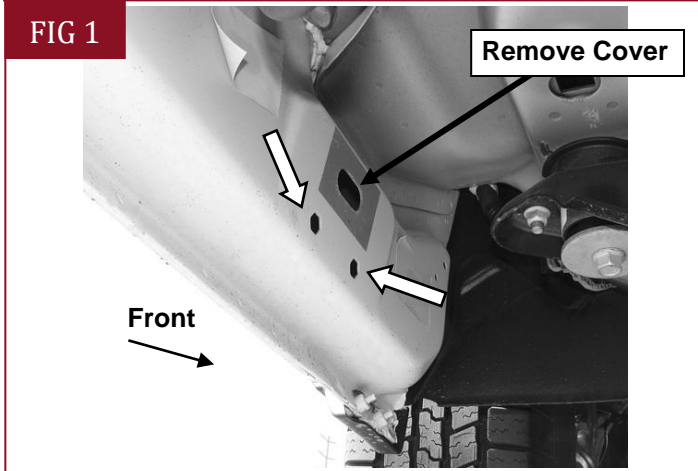




PLEASE NOTE THAT THE FOLLOWING PICTURES ARE BASED ON THE DRIVER SIDE INSTALLATION

STEP 1

Starting at the driver side-front of the vehicle, remove the sealing tape covering the factory holes in the side of the inner panel, **(Fig 1)**.



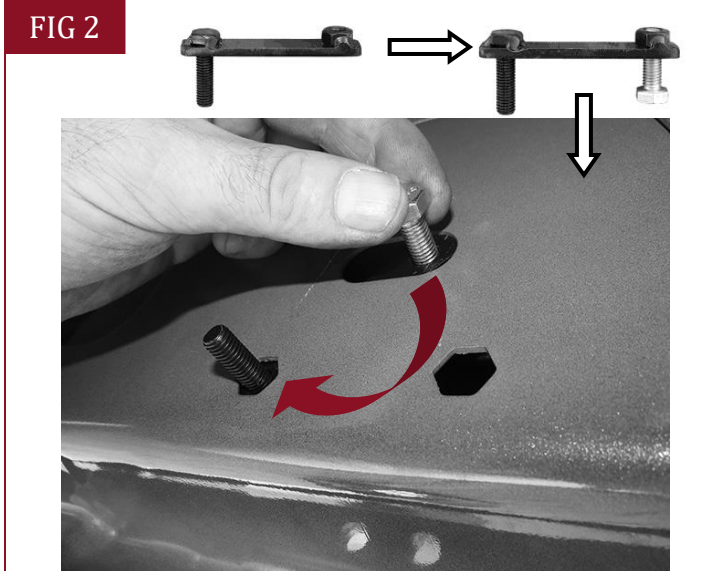
(Fig 1) 2009-mid 2015 driver front mounting location (No factory holes in pinch weld on 2009-2012 models). The two small hex holes are mounting holes, the large slot hole is required to assist installation.

STEP 2.1

Determine the correct procedure to attach the driver side front Bracket for your model/year:

Models without factory threaded inserts in body panel:

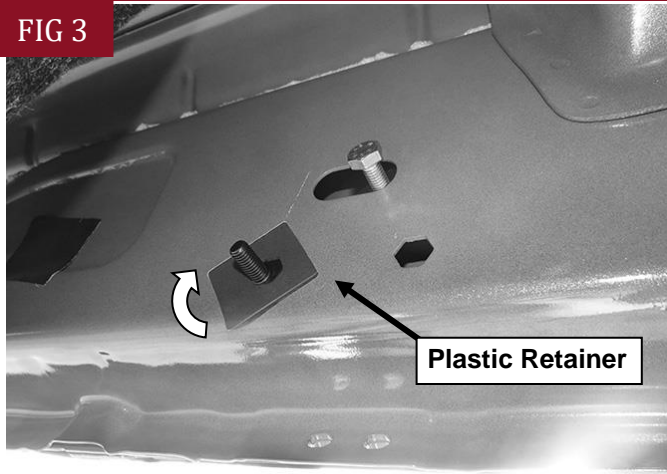
- Select (1) 8mm Bolt/nut Plate. Partially thread an 8mm Hex Bolt onto the threaded of the Nut Plate. Thread the Hex Bolt in until it is flush with the welded nut. Use the Hex Bolt as a handle and insert the Bolt and Nut Plate into the oval hole, **(Fig 2)**. Feed the threaded bolt on the Bolt Plate through one of the hex shaped factory holes.



(Fig 2) Insert 8mm Bolt/Nut Plate(NOTE: 8mm Bolt-Nut Plate is not required on models with threaded inserts). **IMPORTANT: Do not let go of the hex bolt until after Plastic Retainer has been threaded onto bolt (Fig 3)**

- b. Thread (1) 8mm Plastic Retainer onto the threaded end and down tight against the body panel, **(Fig 3)**. **NOTE: The Plastic Retainer is designed to keep the Bolt/Nut Plate from falling into the body panel and to aid in Bracket installation.**

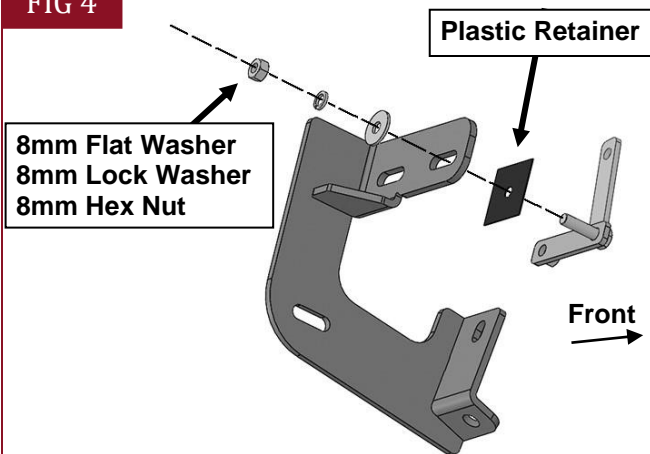
FIG 3



(Fig 3) Thread Plastic Retainer onto Bolt Plate to hold Bolt Plate in position.

- d. Select (1) Driver/Left Front Bracket (#1). Attach the Bracket to the threaded end of the Bolt Plate with (1) 8mm Flat Washer, (1) 8mm Lock washer and (1) 8mm Hex Nut, **(Fig 4)**. **IMPORTANT: Driver/Left Front Bracket is the same as the Driver/Left Center and Passenger/Right Rear Brackets.** Do not tighten hardware at this time.

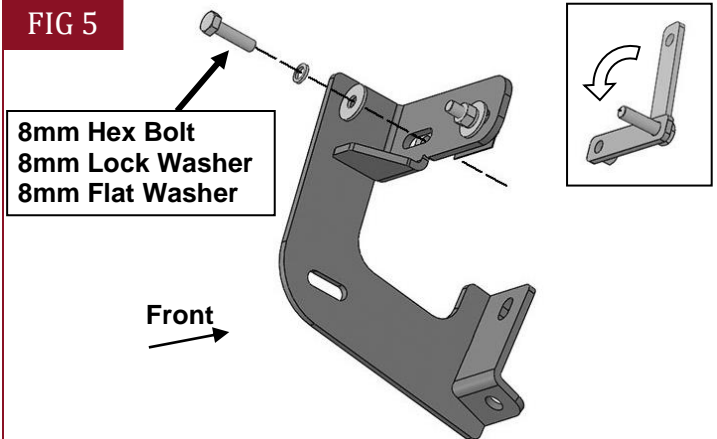
FIG 4



(Fig 4) Attach (#1) Bracket to 8mm Bolt/Nut Plate.

- c. Remove the 8mm Hex Bolt from the nut on the Bolt Plate from **Step 2a**. Rotate the Bolt on the Bolt Plate until the threaded nut lines up with the remaining hole in the Mounting Bracket and body panel, **(Fig 5)**. Attach the Bracket to the threaded Nut Plate with (1) 8mm x 30mm Hex Bolt, (1) 8mm Lock Washer and (1) 8mm Flat Washer, **(Fig 5)**. Do not tighten hardware.

FIG 5



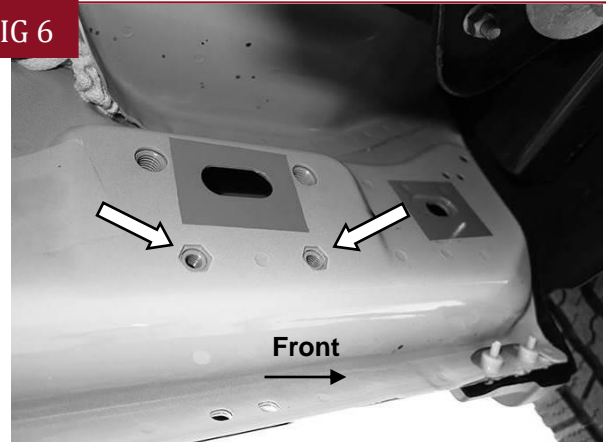
(Fig 5) Remove 8mm Hex Bolt. Rotate Bolt Plate to line up with remaining factory hex shaped hole. Attach Bracket to threaded end of Bolt Plate.

STEP 2.2

Models with factory threaded inserts:

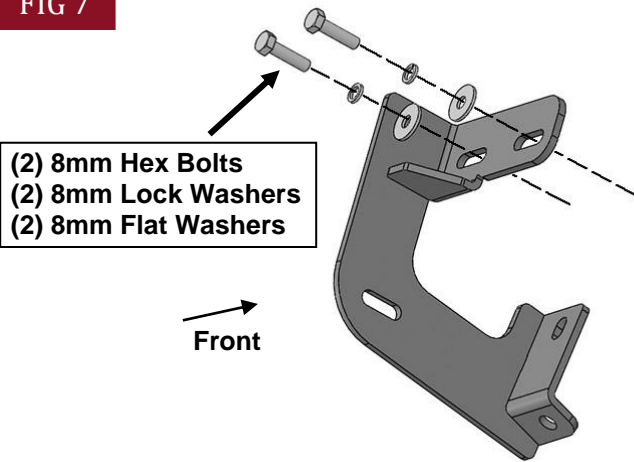
- a. Attach (1) Driver/Left Front Bracket (#1) to the threaded inserts with (2) 8mm x 30mm Hex Bolts, (2) 8mm Lock Washers and (2) 8mm Flat Washer, **(Figs 6 & 7)**. Do not tighten hardware.

FIG 6



(Fig 6) Driver/left side front mid 2015-on (example of models with factory installed threaded inserts)

FIG 7

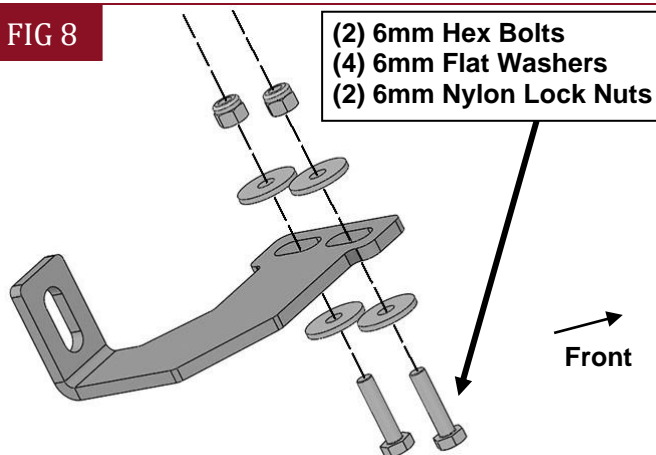


(Fig 7) Driver/left side front models with factory installed threaded inserts. **Bolt Plate not required**

STEP 3

Select (1) Driver/Left Front Support Bracket (#3). Attach the Bracket to the back of the pinch weld with (2) 6mm Hex Bolts, (4) 6mm Flat Washers and (2) 6mm Flange Nuts, (Fig 8). Do not fully tighten hardware at this time.

FIG 8



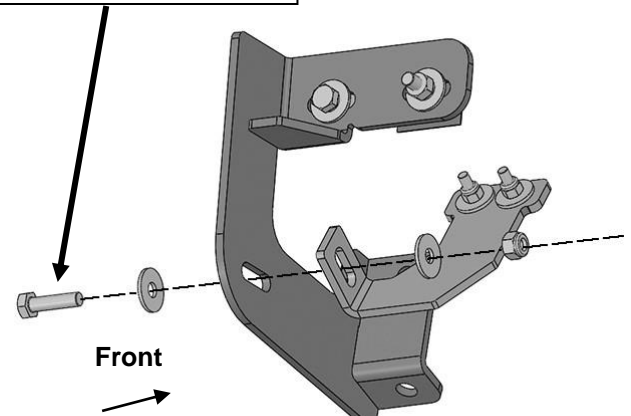
(Fig 8) Attach the Support Bracket (#3) to back of pinch weld (models with factory holes in pinch weld only)

STEP 4

Attach the Support Bracket to the Mounting Bracket with (1) 8mm Hex Bolt, (2) 8mm Flat Washers and (1) 8mm Nylon Lock Nut, (Fig 9). **IMPORTANT:** 2009-12 models not equipped with factory holes will require drilling through the pinch weld to fully attach Bracket. Do not drill through pinch weld at this time, (see Step 8).

FIG 9

8mm Hex Bolt
(2) 8mm Flat Washers
8mm Nylon Lock Nut



(Fig 9) Attach the Support Bracket to the Front Mounting Bracket

Attention

2009-2012 models without holes in pinch weld will require drilling 1/4" holes through pinch weld to attach the bracket. Do complete installation of Running Boards first, level Running Board before drilling holes for bracket.

STEP 5

Move to the rear location, (**Fig 10**). Repeat **Steps 1—4** to attach (1) Driver/Left Rear Bracket (**#2**) and (1) Driver/Left Rear Support Bracket (**#4**) to the Driver/Left rear mounting location.

FIG 10

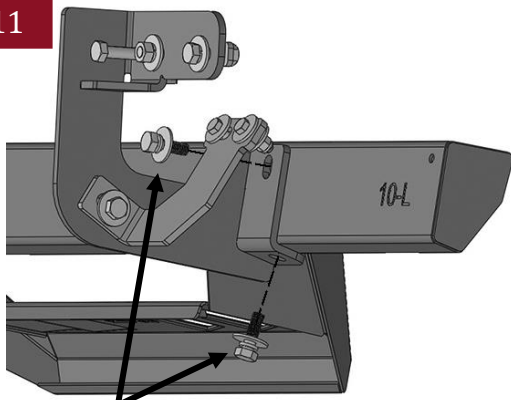


(Fig 10) Driver/left side rear mounting location

STEP 6

Select the Driver/Left Running Board. **NOTE: The Driver/Left Running Board will have a "10-L" on the front of the Running Board.** Place the Running Board onto the cradles on the Mounting Brackets with (6) 8mm Combo Bolts, (**Fig 11**). Do not tighten hardware.

FIG 11



(2) 8mm Combo Bolts

(Fig 11) Attach the Driver/Left Running Board to the (2) Mounting Brackets

STEP 7

Properly level and adjust the Running Board and fully tighten all hardware.

2009-12 models requiring drilling through pinch trim:

- Level the Sidebar to the vehicle. Make sure all (2) Brackets are tight against the bottom of the body panel and tighten all mounting hardware.
- Mark the location of the slots onto the pinch weld.
- Drill (2) 1/4" holes through the pinch weld for each Bracket. **IMPORTANT: Do not drill too close to the bottom edge of the pinch weld.** Drill the holes in the center of the marked slots.
- Repeat **Step 3** to attach the Brackets to the drilled holes in the pinch weld. Check for level then fully tighten all hardware.

STEP 8

Repeat **Steps 1—7** to attach the Passenger/Right Running Board.

STEP 9

Do periodic inspections to the installation to make sure that all hardware is secure and tight.

Attention

To protect your investment, do not use any type of polish or wax that may contain abrasives that could damage the finish.

Mild soap may be used also to clean the Running Boards.