



SIDEWINDER RUNNING BOARD

PART #: SW-D09

FITS:

2009-2018 Dodge RAM 1500 Quad Cab
 2019-2023 Dodge RAM 1500 **Classic** Model Quad Cab



60-120 min



Cutting Not Required



Drilling May Required

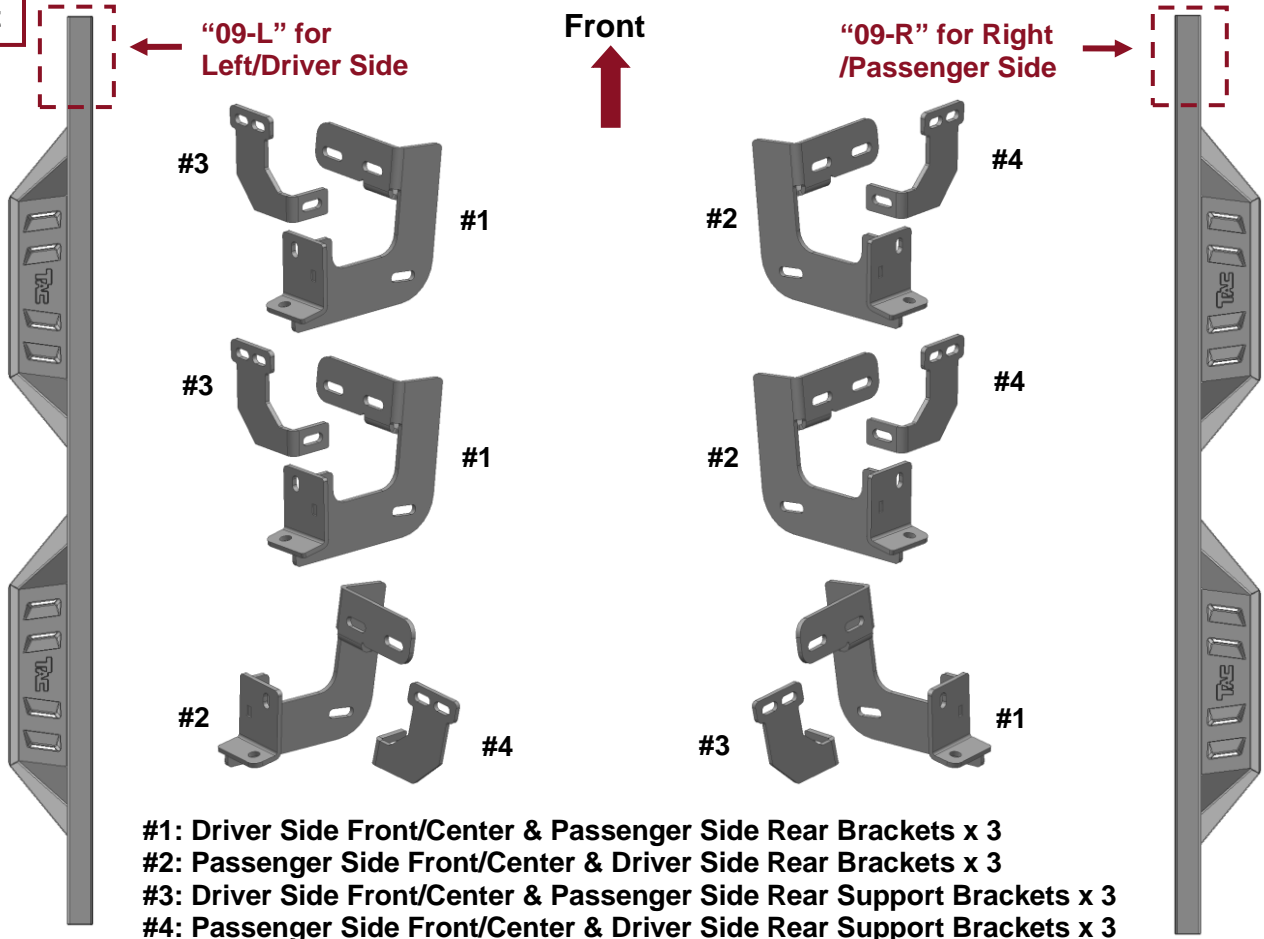
Torque & Tools

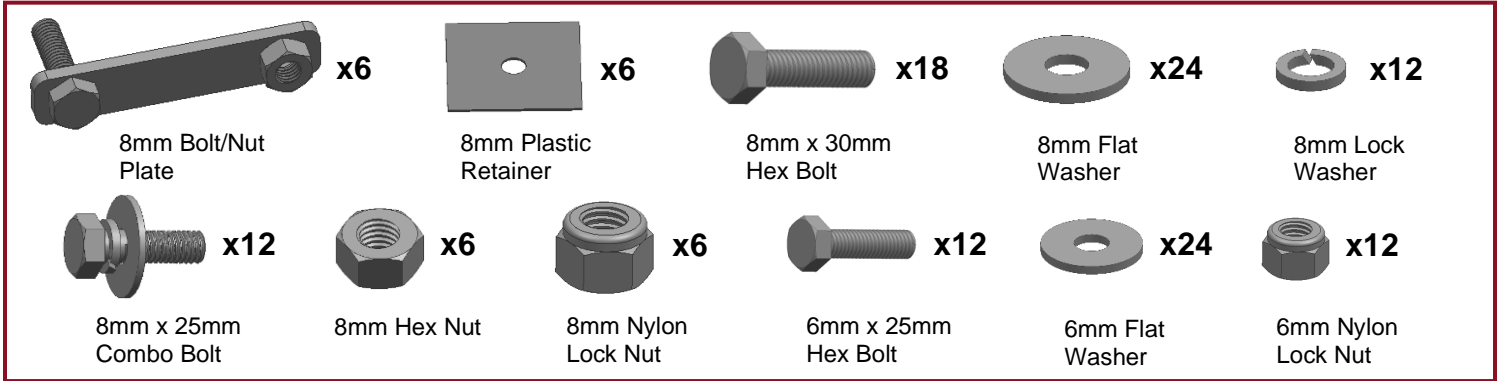
Fastener Size	Tightening Torque (ft-lbs)	Wrench Required		Allen Wrench Required	
			<input checked="" type="checkbox"/> 10mm		<input type="checkbox"/> 4mm
6mm	7-8.5		<input checked="" type="checkbox"/> 13mm		<input type="checkbox"/> 5mm
8mm	18-20		<input type="checkbox"/> 16mm		<input type="checkbox"/> 6mm
10mm	35-40		<input type="checkbox"/> 18mm		<input type="checkbox"/> 8mm
12mm	60-70				

BEFORE INSTALLATION

REMOVE CONTENTS FROM BOX. VERIFY ALL PARTS ARE PRESENT. READ INSTRUCTIONS CAREFULLY BEFORE STARTING INSTALLATION. ASSISTANCE IS RECOMMENDED.

Part List

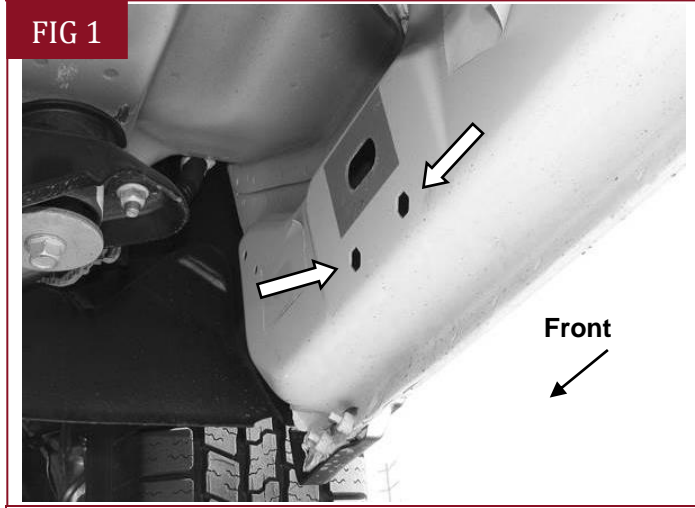




PLEASE NOTE THAT THE FOLLOWING PICTURES ARE BASED ON THE PASSENGER SIDE INSTALLATION

STEP 1

Starting at the passenger side-front of the vehicle, remove the sealing tape covering the factory holes in the side of the inner panel, **(Fig 1)**.



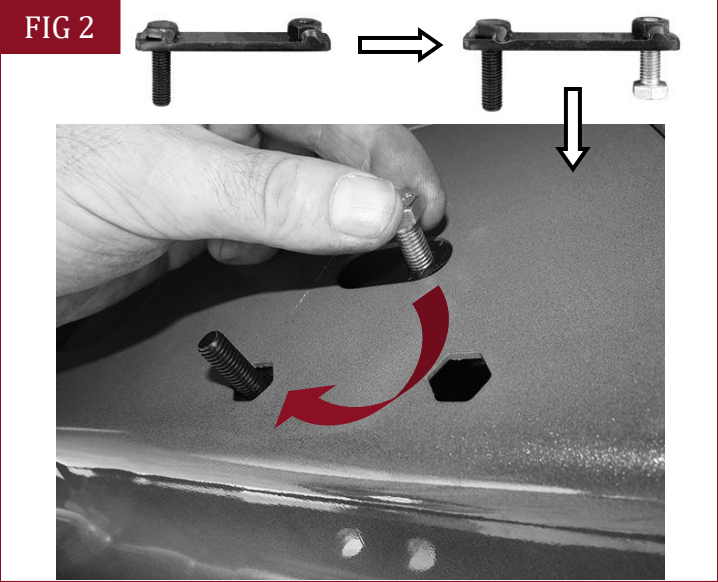
(Fig 1) 2009-mid 2015 Passenger front mounting location (No factory holes in pinch weld on 2009-2012 models). The two small hex holes are mounting holes, the large slot hole is required to assist installation.

STEP 2.1

Determine the correct procedure to attach the passenger side front Bracket for your model/year:

Models without factory threaded inserts in body panel:

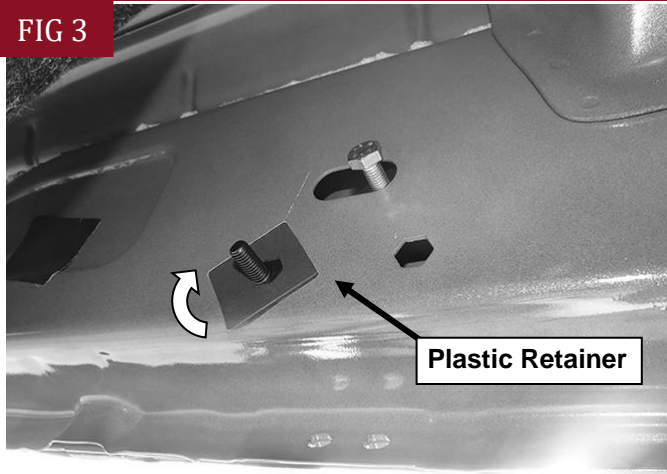
- Select (1) 8mm Bolt/nut Plate. Partially thread an 8mm Hex Bolt onto the threaded of the Nut Plate. Thread the Hex Bolt in until it is flush with the welded nut. Use the Hex Bolt as a handle and insert the Bolt and Nut Plate into the oval hole, **(Fig 2)**. Feed the threaded bolt on the Bolt Plate through one of the hex shaped factory holes.



(Fig 2) Insert 8mm Bolt/Nut Plate(NOTE: 8mm Bolt-Nut Plate is not required on models with threaded inserts). **IMPORTANT: Do not let go of the hex bolt until after Plastic Retainer has been threaded onto bolt (Fig 3)**

- b. Thread (1) 8mm Plastic Retainer onto the threaded end and down tight against the body panel, **(Fig 3)**. **NOTE: The Plastic Retainer is designed to keep the Bolt/Nut Plate from falling into the body panel and to aid in Bracket installation.**

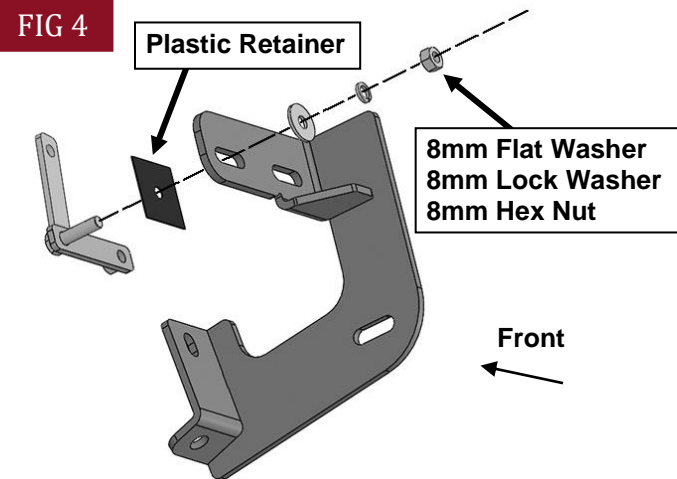
FIG 3



(Fig 3) Thread Plastic Retainer onto Bolt Plate to hold Bolt Plate in position.

- d. Select (1) Passenger/right Front Bracket (#2). Attach the Bracket to the threaded end of the Bolt Plate with (1) 8mm Flat Washer, (1) 8mm Lock washer and (1) 8mm Hex Nut, **(Fig 4)**. **IMPORTANT: Passenger/right Front Bracket is the same as the Passenger/right Center and Driver/Left Rear Brackets.** Do not tighten hardware at this time.

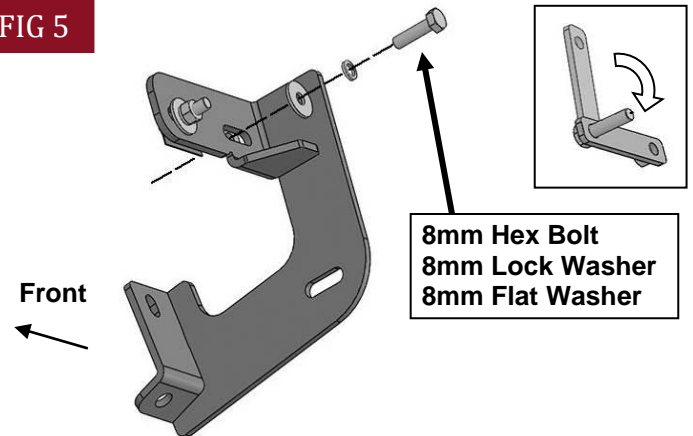
FIG 4



(Fig 4) Attach (#2) Bracket to 8mm Bolt/Nut Plate.

- c. Remove the 8mm Hex Bolt from the nut on the Bolt Plate from **Step 2a**. Rotate the Bolt on the Bolt Plate until the threaded nut lines up with the remaining hole in the Mounting Bracket and body panel, **(Fig 5)**. Attach the Bracket to the threaded Nut Plate with (1) 8mm x 30mm Hex Bolt, (1) 8mm Lock Washer and (1) 8mm Flat Washer, **(Fig 5)**. Do not tighten hardware.

FIG 5



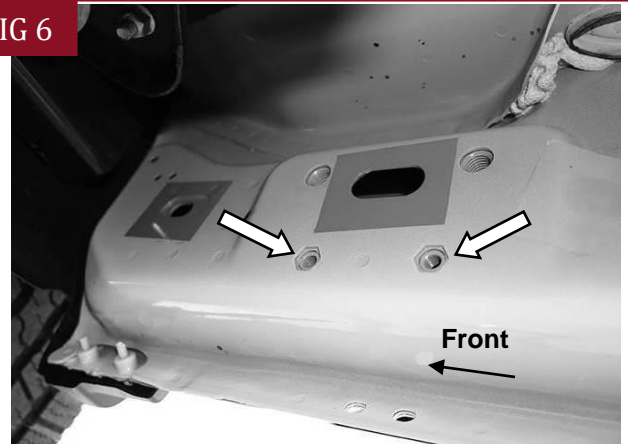
(Fig 5) Remove 8mm Hex Bolt. Rotate Bolt Plate to line up with remaining factory hex shaped hole. Attach Bracket to threaded hole of Bolt Plate.

STEP 2.2

Models with factory threaded inserts:

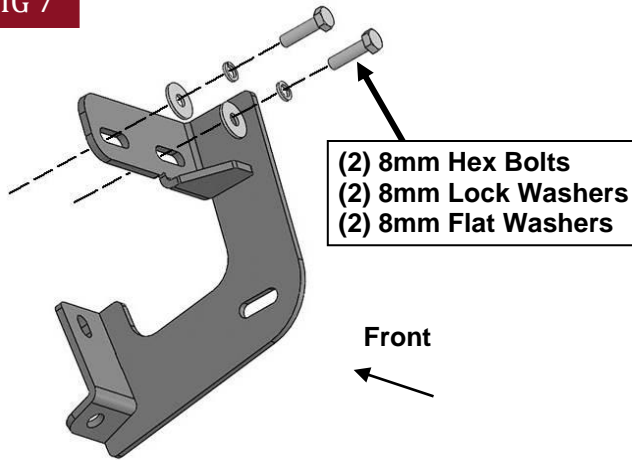
- a. Attach (1) Passenger/right Front Bracket (#2) to the threaded inserts with (2) 8mm x 30mm Hex Bolts, (2) 8mm Lock Washers and (2) 8mm Flat Washer, **(Figs 6 & 7)**. Do not tighten hardware.

FIG 6



(Fig 6) Passenger side front mid 2015-on (example of models with factory installed threaded inserts)

FIG 7

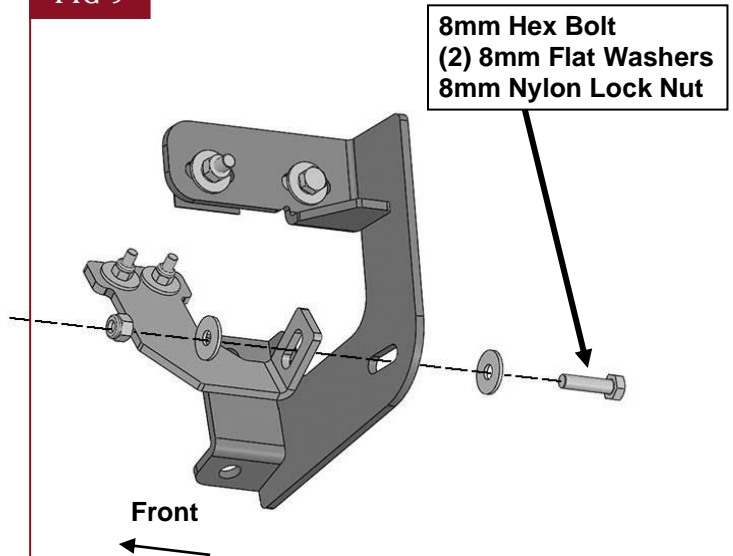


(Fig 7) Passenger/Right side front models with factory installed threaded inserts. **Bolt Plate not required**

STEP 4

Attach the Support Bracket to the Mounting Bracket with (1) 8mm Hex Bolt, (2) 8mm Flat Washers and (1) 8mm Nylon Lock Nut, (Fig 9). **IMPORTANT:** 2009-12 models not equipped with factory holes will require drilling through the pinch weld to fully attach Bracket. Do not drill through pinch weld at this time, (see Step 8).

FIG 9

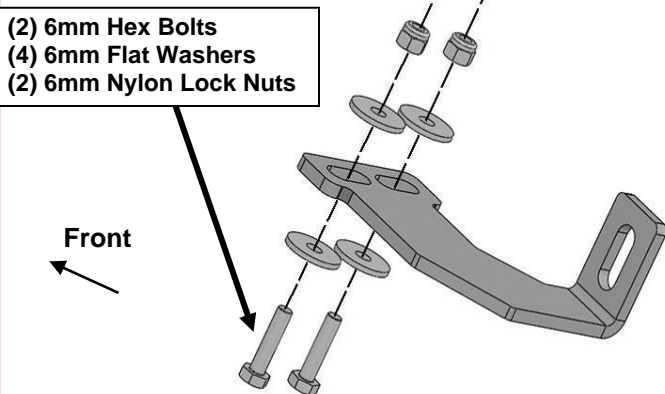


(Fig 9) Attach the Support Bracket to the Front Mounting Bracket

STEP 3

Select (1) Passenger/Right Front Support Bracket (#4). Attach the Bracket to the back of the pinch weld with (2) 6mm Hex Bolts, (4) 6mm Flat Washers and (2) 6mm Flange Nuts, (Fig 8). Do not fully tighten hardware at this time.

FIG 8



(Fig 8) Attach the Support Bracket (#4) to back of pinch weld (models with factory holes in pinch weld only)

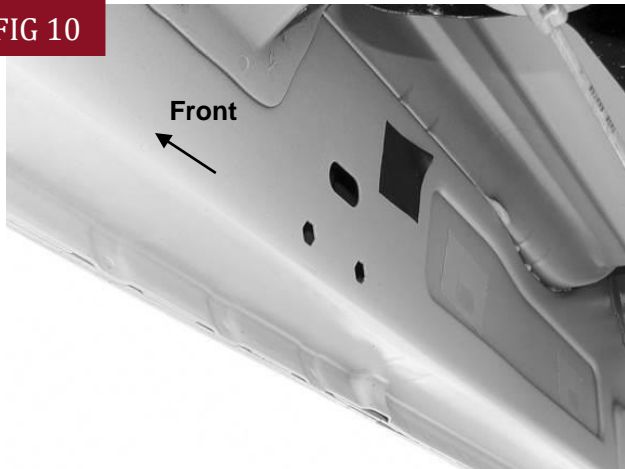
Attention

2009-2012 models without holes in pinch weld will require drilling 1/4" holes through pinch weld to attach the bracket. Do complete installation of Running Boards first, level Running Board before drilling holes for bracket.

STEP 5

Move along the side of the body panel to the center mounting location, (**Fig 10**). Repeat **Steps 1—4** to install (1) Passenger/Right Center Bracket (**#2**) and (1) Passenger/Right Center Support Bracket (**#4**) to the center mounting location.

FIG 10



(Fig 10) Passenger/Right center mounting location

STEP 6

Move to the rear location, (**Fig 11**). Repeat **Steps 1—4** to attach (1) Passenger/Right Rear Bracket (**#1**) and (1) Passenger/Right Rear Support Bracket (**#3**) to the rear mounting location.

FIG 11

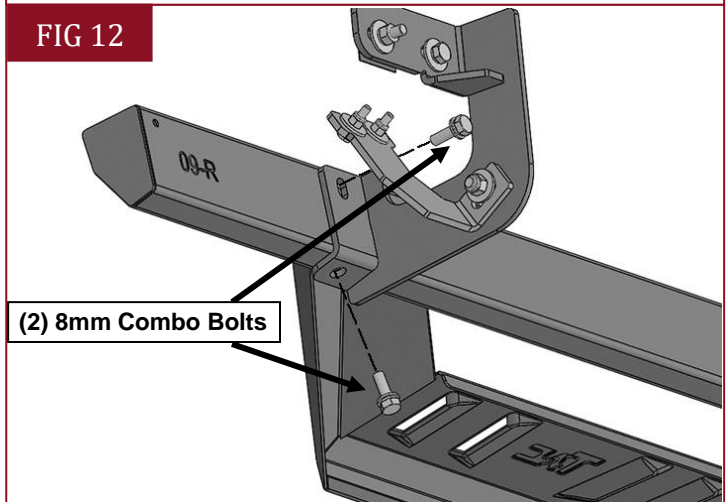


(Fig 11) Passenger/Right rear mounting location

STEP 7

Select the Passenger/Right Running Board. **NOTE:** The Passenger/Right Running Board will have a "09-R" on the front of the Running Board. Place the Running Board onto the cradles on the Mounting Brackets with (6) 8mm Combo Bolts, (**Fig 12**). Do not tighten hardware.

FIG 12



(Fig 12) Attach the Passenger/Right Running Board to the (3) Mounting Brackets

STEP 8

Properly level and adjust the Running Board and fully tighten all hardware.

2009-12 models requiring drilling through pinch trim:

- Level the Sidebar to the vehicle. Make sure all (3) Brackets are tight against the bottom of the body panel and tighten all mounting hardware.
- Mark the location of the slots onto the pinch weld.
- Drill (2) 1/4" holes through the pinch weld for each Bracket. **IMPORTANT:** Do not drill too close to the bottom edge of the pinch weld. Drill the holes in the center of the marked slots.
- Repeat **Step 3** to attach the Brackets to the drilled holes in the pinch weld. Check for level then fully tighten all hardware.

STEP 9

Repeat **Steps 1—8** to attach the Driver/Left Running Board.

STEP 10

Do periodic inspections to the installation to make sure that all hardware is secure and tight.

Attention

To protect your investment, do not use any type of polish or wax that may contain abrasives that could damage the finish.

Mild soap may be used also to clean the Running Boards.