



INSTALLATION INSTRUCTIONS

FORMED STEEL RUNNING BOARDS

15-23 FORD F150 & 2022-2023 F150 Lightning EV SUPER CREW CAB

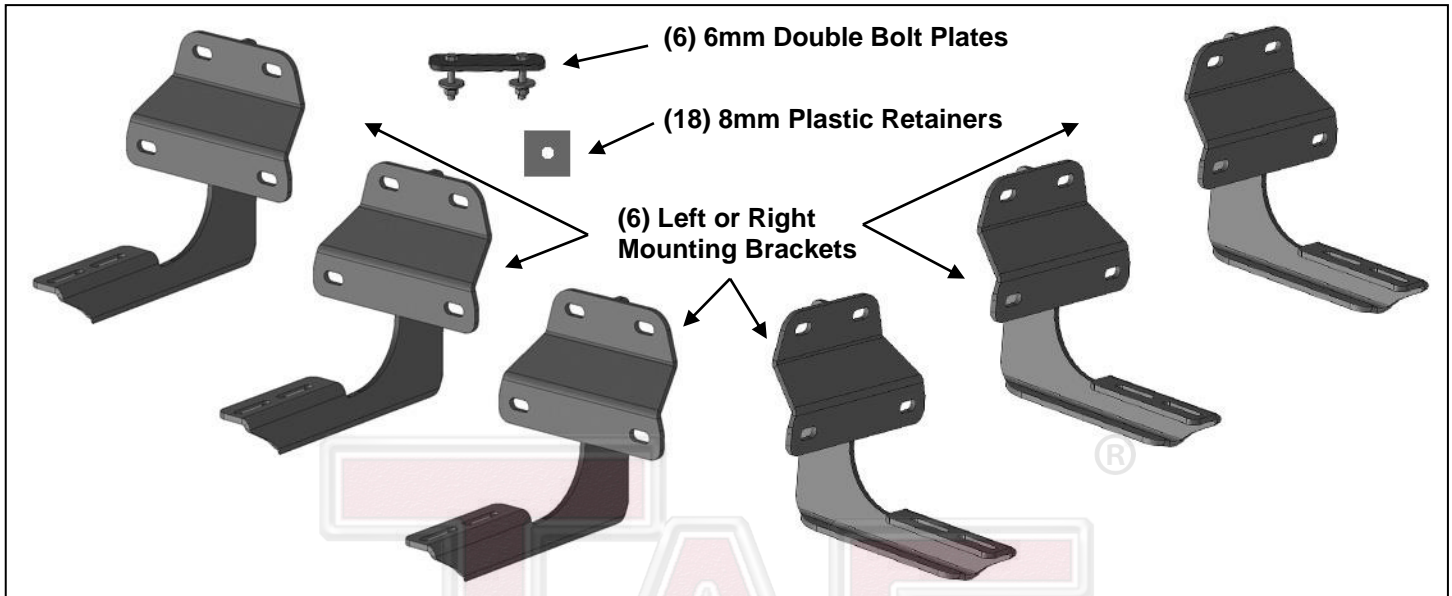
2017-2023 F250-550 SUPER CREW CAB

PART# FG91F03B+FG91F03BKIT

TRUCK ACCESSORIES COMPANY

PARTS LIST:

2	91" Running Boards	6	6mm Double Bolt Plates
6	Mounting Brackets (left or right)	12	6mm x 22mm x 2mm Flat Washers
18	8mm Plastic Retainers	12	6mm Lock Washers
18	8mm x 24mm x 2mm Washers	12	6mm Hex Nuts
18	8-1.25mm Nylon Lock Nuts		



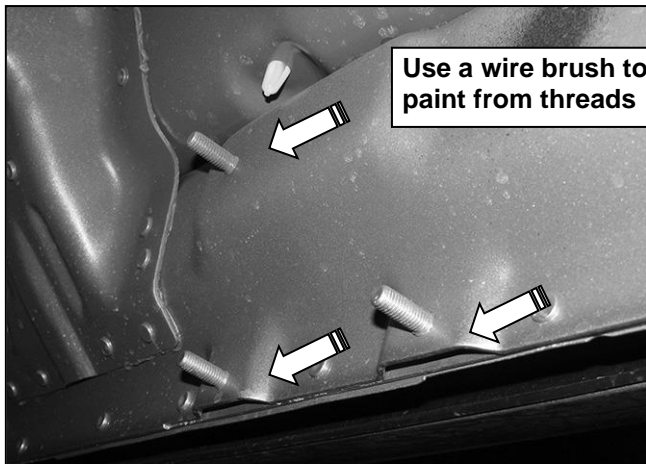
PROCEDURE:

REMOVE CONTENTS FROM BOX. VERIFY ALL PARTS ARE PRESENT. READ INSTRUCTIONS CAREFULLY BEFORE STARTING INSTALLATION. ASSISTANCE IS RECOMMENDED.

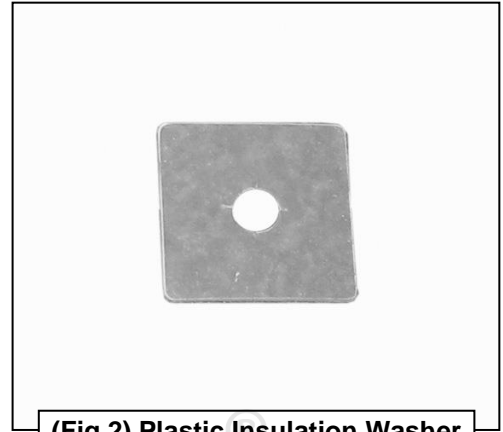
1. Start the installation under the driver side of the vehicle. Locate the front factory running board mounting location along the inner side of the body, **(Figure 1)**. **IMPORTANT: Clean mounting studs with wire brush to remove paint and debris.**
2. Slide (1) Plastic Washer over each of the (3) factory mounting studs in the body panel, **(Figures 2 & 3)**. **IMPORTANT: The Plastic Washers are designed to prevent corrosion between the aluminum body panel and the steel mounting brackets. Do not install the Brackets without the Plastic Washers.**
3. Select (1) Mounting Bracket. **NOTE: All (6) Brackets are universal and will fit left or right side.** Attach the Mounting Bracket to the (3) factory studs with (3) 8mm Flat Washers and (3) 8mm Nylon Lock Nuts, **(Figures 4 & 5)**. Leave brackets loose at this time.
4. Repeat **Steps 1—3** to install the center and rear driver/left side Brackets.
5. Carefully unwrap and select (1) Running Board. Place the Running Board on top of the Brackets. Locate the channels in the bottom of the Running Board. Select (3) 6mm Double Bolt Plates, **(Figure 6)**. Insert the Bolt Plates into the channels in the bottom of the Running Board closest to the Brackets, **(Figure 7)**. Lift the Running Board up and guide the studs down through the Brackets, **(Figure 8)**.
6. Attach the Running Board to the Brackets with (6) 6mm Flat Washers, (6) 6mm Lock Washers and (6) 6mm Hex Nuts, **(Figures 8—10)**. **NOTE: The Running Board is designed to fit close to the vehicle. It may be necessary to loosen the Bracket hardware slightly and tilt the Brackets downward to insert the Running Board between the Brackets and the body.**
7. Level and adjust the Running Board as necessary and fully tighten all hardware.
8. Repeat **Steps 1—7** for the passenger/right side Running Board installation.
9. Do periodic inspections to the installation to make sure that all hardware is secure and tight.

To protect your investment, Do not use any type of polish or wax that may contain abrasives that could damage the finish. Mild soap may be used also to clean the Running Board.

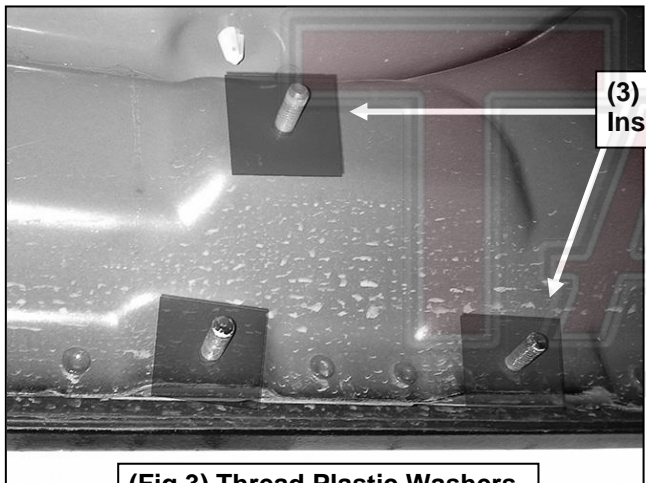
Driver/left Side Installation Pictured



(Fig 1) Driver/left side front mounting location

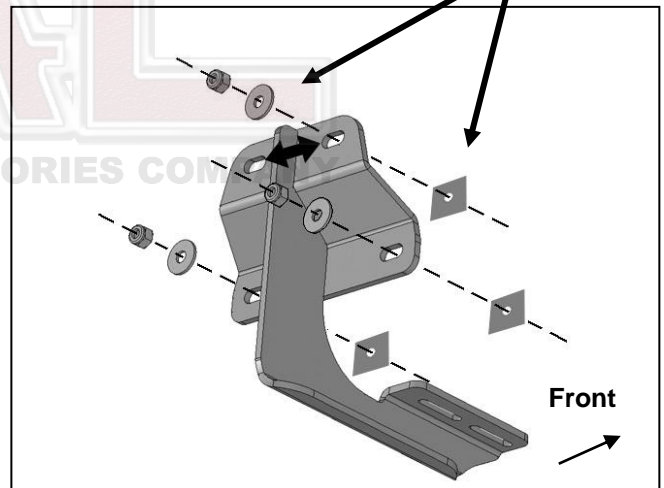


(Fig 2) Plastic Insulation Washer



(Fig 3) Thread Plastic Washers onto all mounting studs

- (3) 8mm Plastic Washers
- (3) 8mm Flat Washers
- (3) 8mm Nylon Lock Nuts



(Fig 4) Typical Bracket installation illustrated

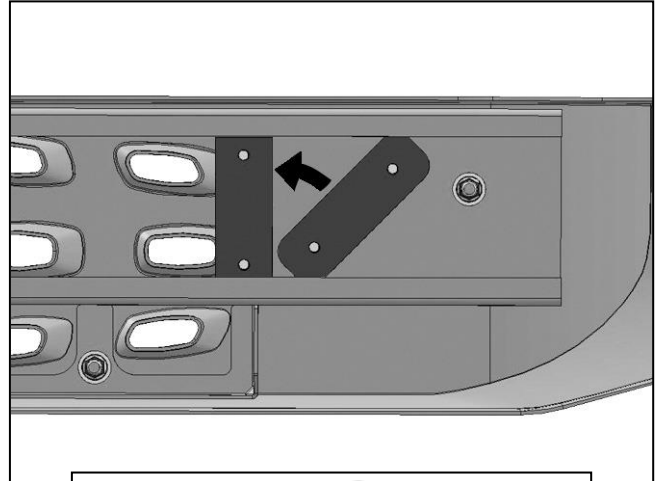


(Fig 5) Typical Bracket installation

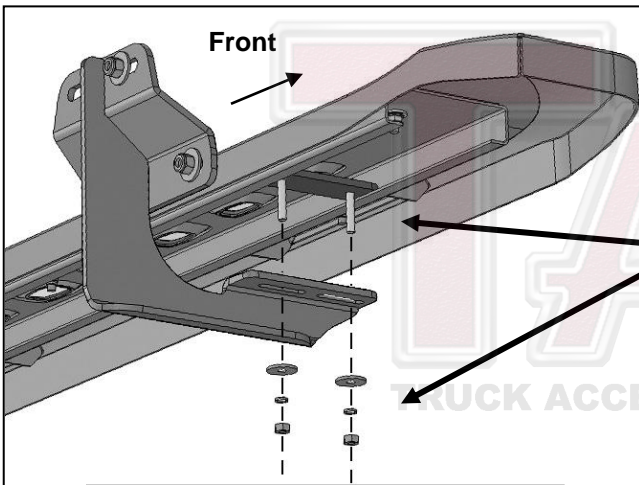
Driver side installation pictured



(Fig 6) 6mm Double Bolt Plate



(Fig 7) Slide 6mm Double Bolt Plates into track on bottom of Running Board

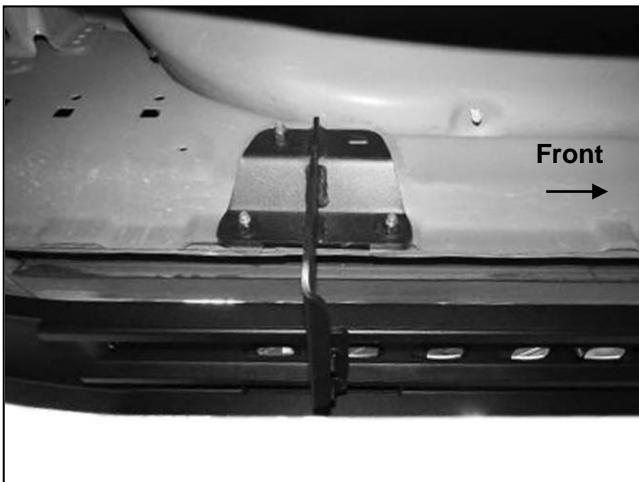


- 6mm Double Bolt Plate
- (2) 6mm Flat Washers
- (2) 6mm Lock Washers
- (2) 6mm Hex Nuts

(Fig 8) Guide studs on Double Bolt Plate down through Bracket



(Fig 9) Driver side front installation



(Fig 10) Driver side rear installation