



# **INSTALLATION INSTRUCTIONS**

**FORMED STEEL RUNNING BOARDS**

**2019-2023 SILVERADO/SIERRA 1500 CREW CAB**

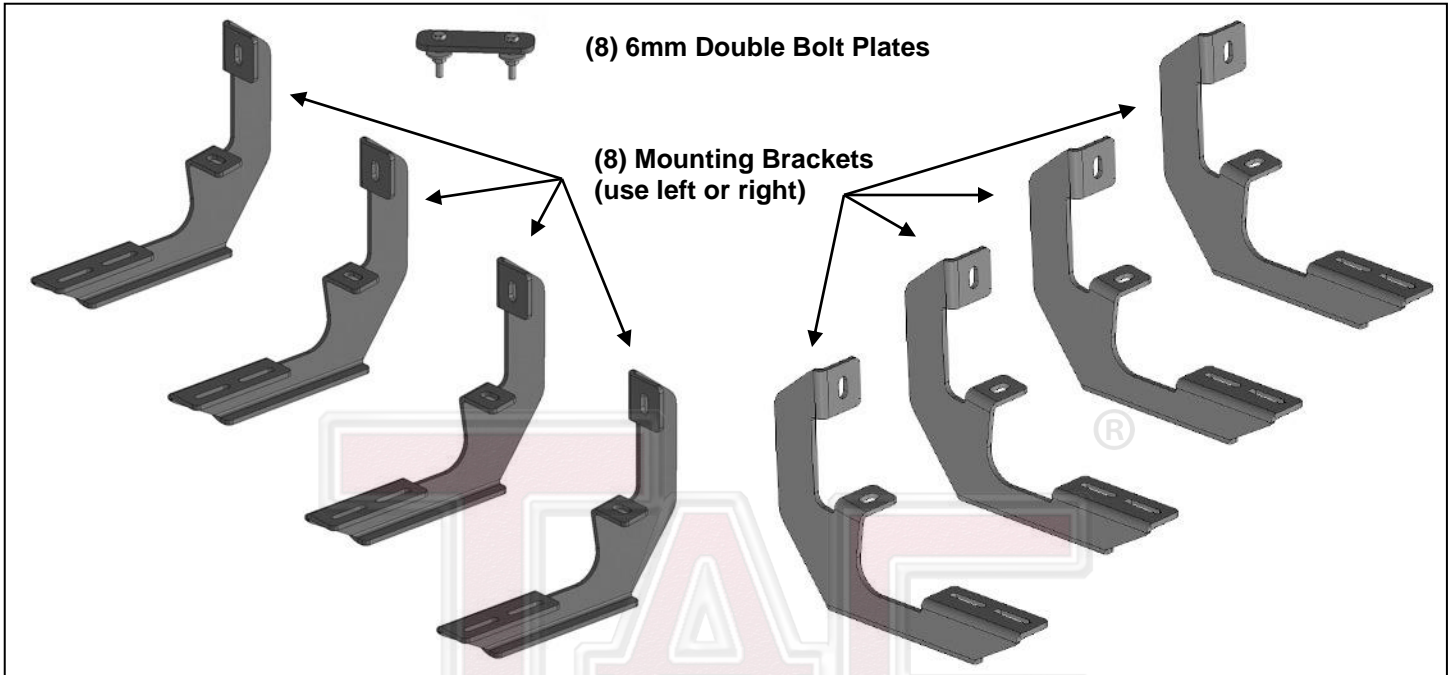
**2020-2024 SILVERADO/SIERRA 2500/3500 CREW CAB**

**PART# FG91C01B+FG91C01BKIT**

**TRUCK ACCESSORIES COMPANY**

**PARTS LIST:**

|    |                               |    |                               |
|----|-------------------------------|----|-------------------------------|
| 2  | Running Boards (91in)         | 8  | 6mm x 30mm Double Bolt Plates |
| 8  | Mounting Brackets             | 16 | 6mm x 22mm x 2mm Flat Washers |
| 16 | 8-1.25mm x 30mm Hex Bolts     | 16 | 6mm Lock Washers              |
| 16 | 8mm x 24mm x 2mm Flat Washers | 16 | 6mm Hex Nuts                  |
| 16 | 8mm Lock Washers              |    |                               |



**PROCEDURE:**

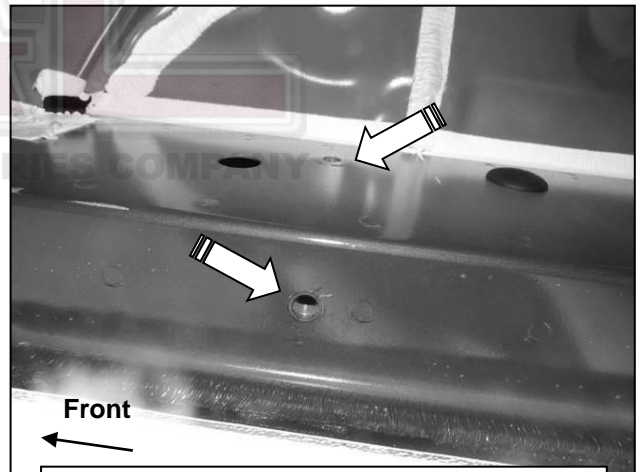
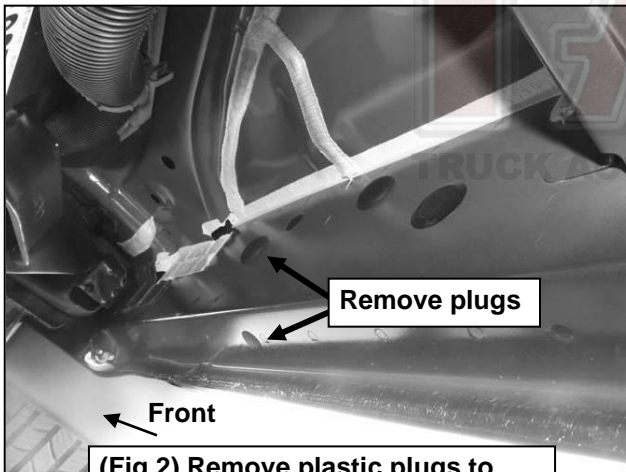
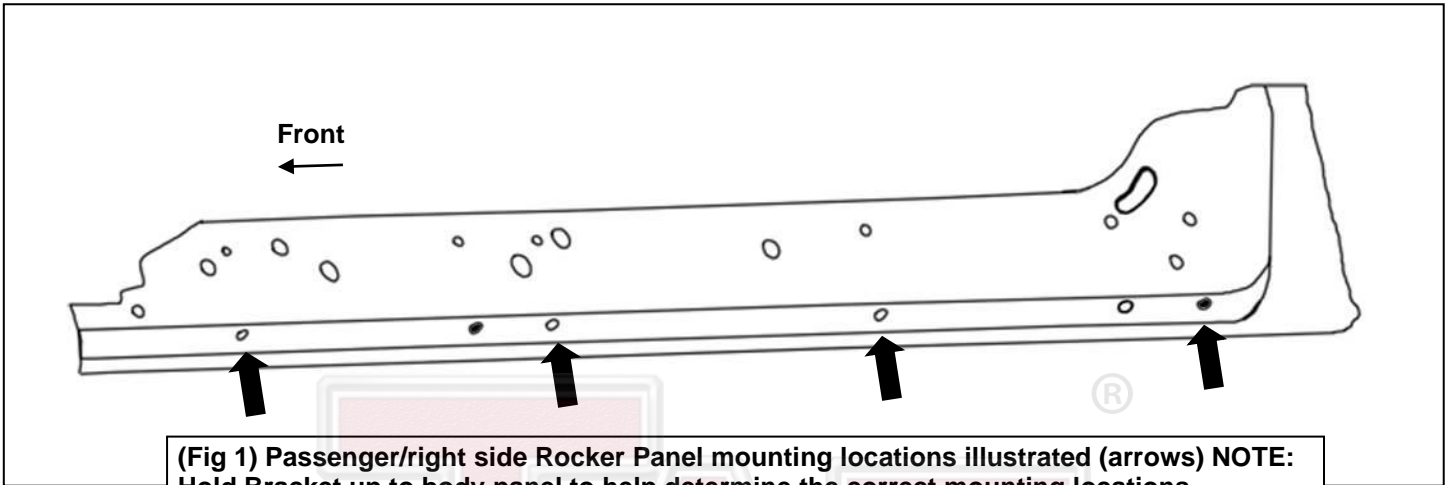
**REMOVE CONTENTS FROM BOX. VERIFY ALL PARTS ARE PRESENT. READ INSTRUCTIONS CAREFULLY BEFORE STARTING INSTALLATION. ASSISTANCE IS RECOMMENDED.**

1. Start the installation under the Passenger/Right side of the vehicle. Locate the 8 plugs along the bottom edge of the body. Mounting Brackets will bolt to the 1st, 3rd, 4th and 6th threaded mounting holes, **(Figure 1)**. Remove the plastic plugs from each mounting location, **(Figure 2)**. Directly above each threaded insert is a top mounting location on the side of the rocker panel, **(Figure 3)**. Hold a Bracket up in place to help determine the correct mounting holes to use along the panel. **NOTE:** Thread an 8mm Hex Bolt into the threaded holes to clear paint as required.
2. Select (1) Mounting Bracket. Starting at the front of the Passenger/right side, attach the Mounting Bracket to the factory threaded holes with (2) 8mm Hex Bolts, (2) 8mm Lock Washers and (2) 8mm Flat Washers, **(Figure 4)**. Do not tighten hardware at this time.
3. Repeat **Steps 1 & 2** to install the 2nd, 3rd and rear Mounting Brackets along the rocker panel, **(Figures 5—7)**.
4. Carefully unwrap and select (1) Running Board. Place the Running Board on top of the Brackets. Locate the channel in the bottom of the Running Board. Select (4) 6mm Double Bolt Plates, **(Figure 8)**. Insert the Bolt Plates into the channels in the bottom of the Running Board closest to the Brackets, **(Figure 9)**. Lift the Running Board up and guide the studs down through the Brackets, **(Figure 8)**.
5. Attach the Running Board to the Brackets with (8) 6mm Flat Washers, (8) 6mm Lock Washers and (8) 6mm Hex Nuts, **(Figures 10—13)**. **NOTE:** The Running Board is designed to fit close to the vehicle. It may be necessary to loosen the Bracket hardware slightly and tilt the Brackets downward to insert the Running Board between the Brackets and the body.
6. Level and adjust the Running Board and fully tighten all hardware.
7. Repeat **Steps 1—6** to install the Driver/Left side Running Board.

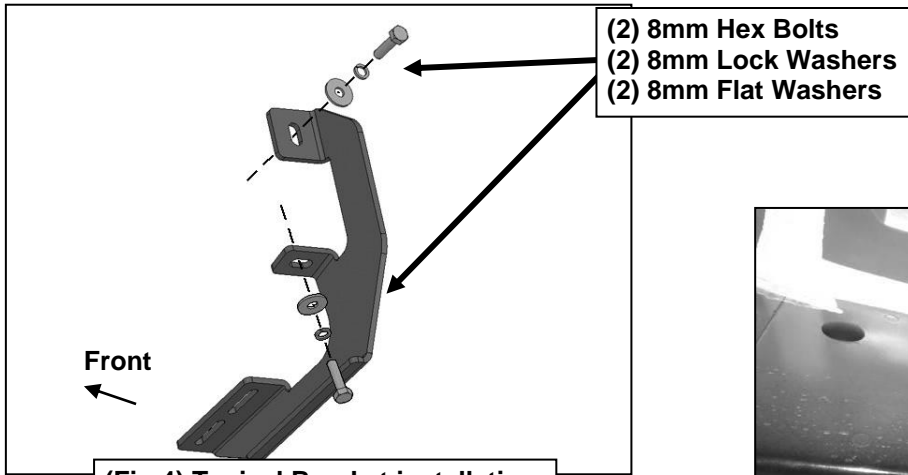
8. Do periodic inspections to the installation to make sure that all hardware is secure and tight.

**To protect your investment,** Do not use any type of polish or wax that may contain abrasives that could damage the finish. Mild soap may be used also to clean the Running Board.

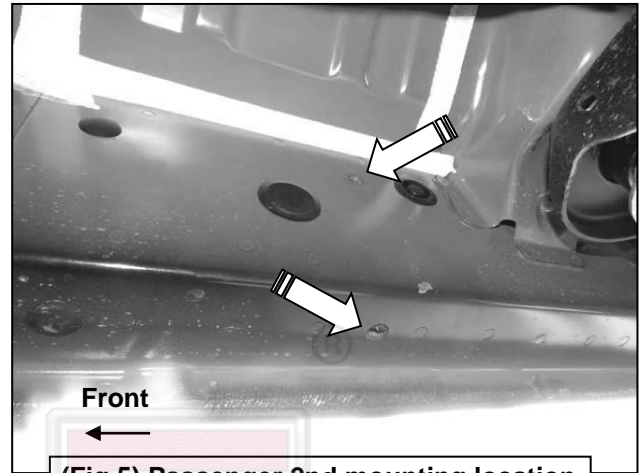
### Passenger/Right side Installation Pictured



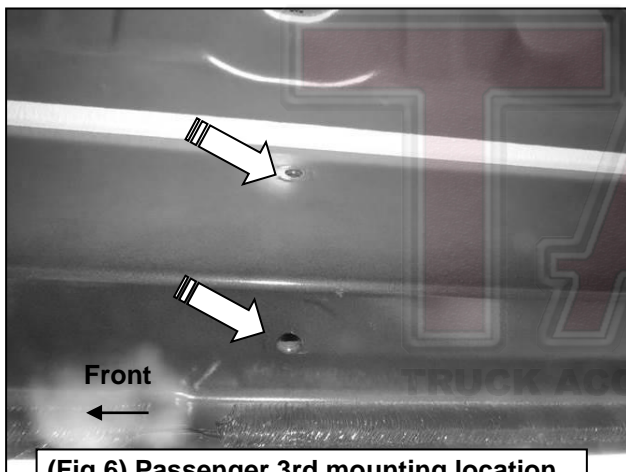
**Passenger/Right side Installation Pictured**



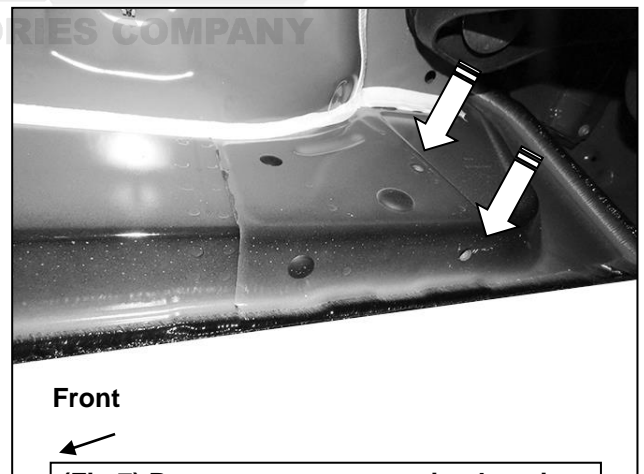
**(Fig 4) Typical Bracket installation**



**(Fig 5) Passenger 2nd mounting location**



**(Fig 6) Passenger 3rd mounting location**

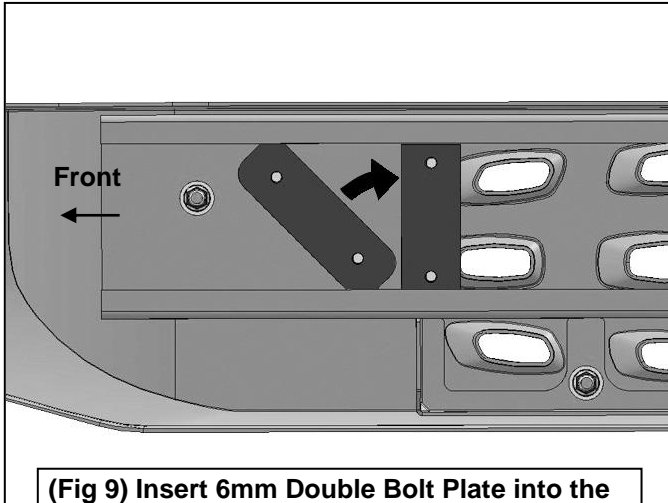


**(Fig 7) Passenger rear mounting location**



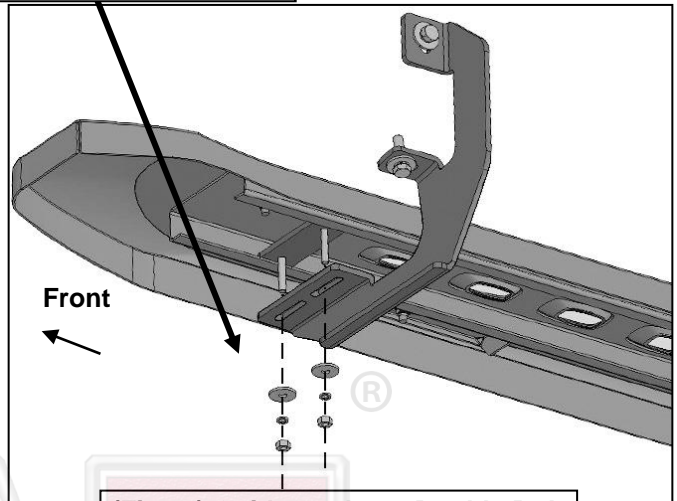
**(Fig 8) 6mm Double Bolt Plate**

**Passenger/Right side Installation Pictured**

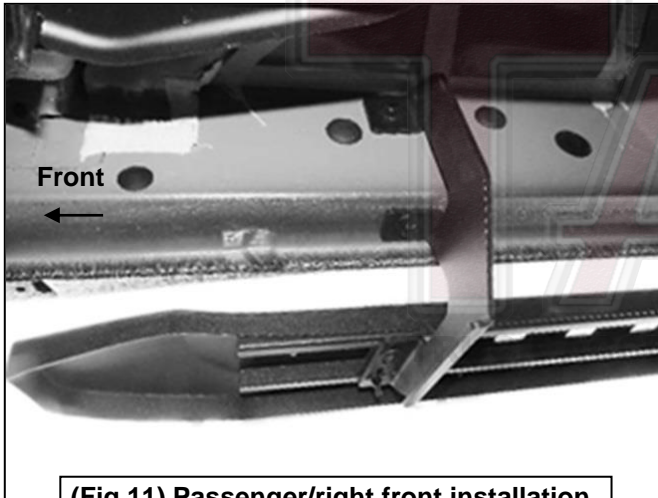


**(Fig 9) Insert 6mm Double Bolt Plate into the channel in the bottom of the Running Board**

- (2) 6mm Flat Washers
- (2) 6mm Lock Washers
- (2) 6mm Hex Nuts



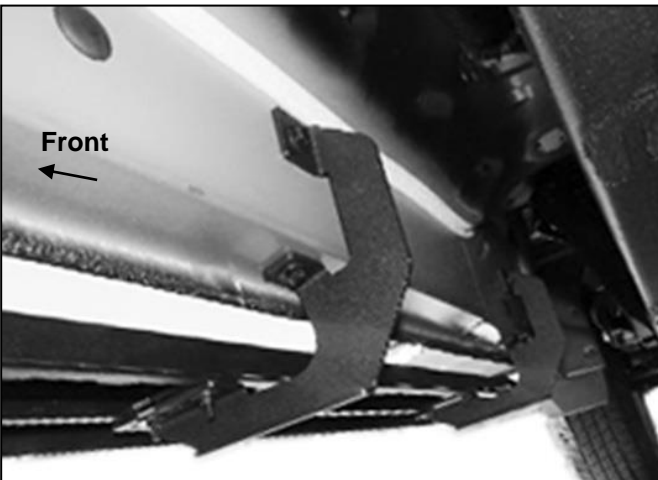
**(Fig 10) Guide studs on Double Bolt Plate down through Bracket**



**(Fig 11) Passenger/right front installation**



**(Fig 12) Passenger/right #2 Bracket installation**



**(Fig 13) Passenger/right #3 and rear installation**