



INSTALLATION INSTRUCTIONS

FORMED RUNNING BOARDS

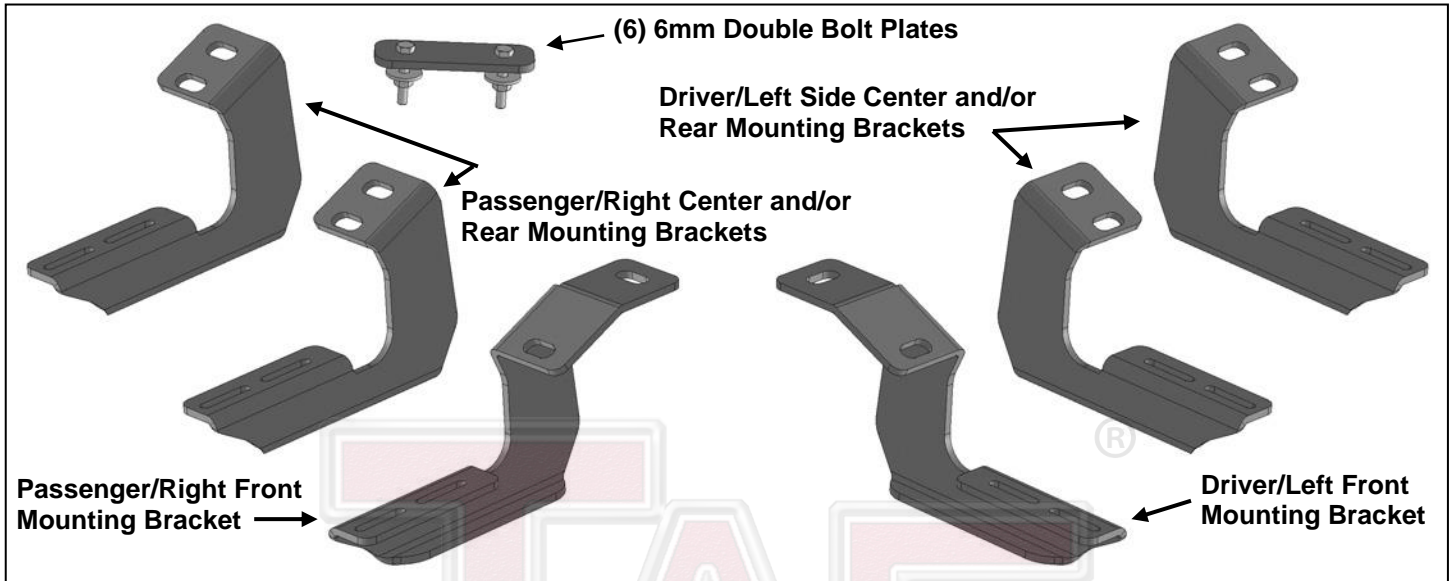
2005-2023 TACOMA DOUBLE CAB

PART# FG80T04B



PARTS LIST:

2	80" Running Boards	12	8-1.25 x 30mm Hex Bolts
1	Driver/Left Front Mounting Bracket	12	8mm x 24mm OD x 2mm Flat Washers
1	Passenger/Right Front Mounting Bracket	12	8mm Lock Washers
2	Driver/Left Center & Rear Mounting Brackets	12	6mm x 22mm OD x 2mm Flat Washers
2	Passenger/Right Center & Rear Mounting Brackets	12	6mm Lock Washers
6	6mm Double Bolt Plates	12	6mm Hex Nuts

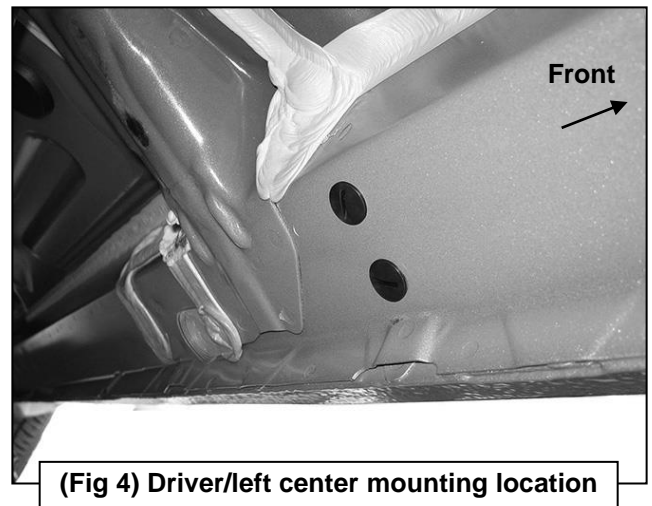
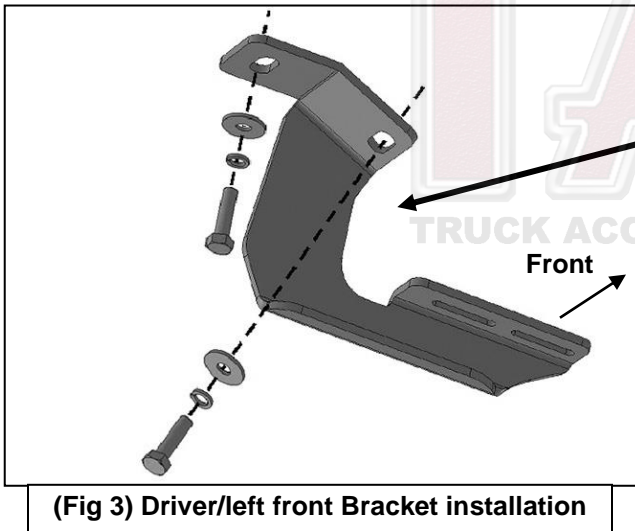
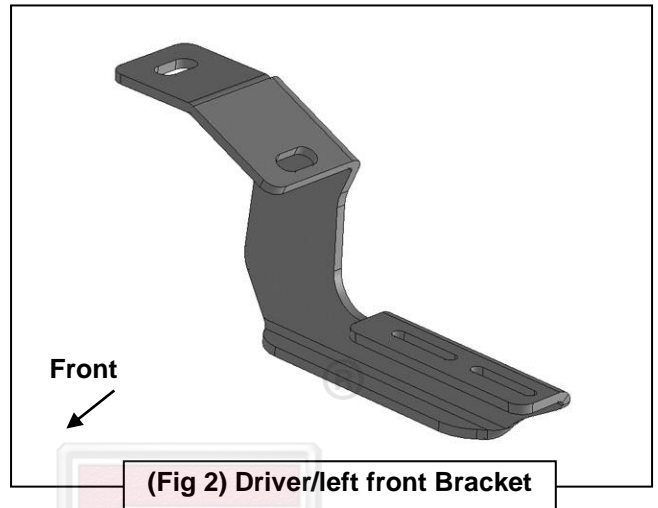
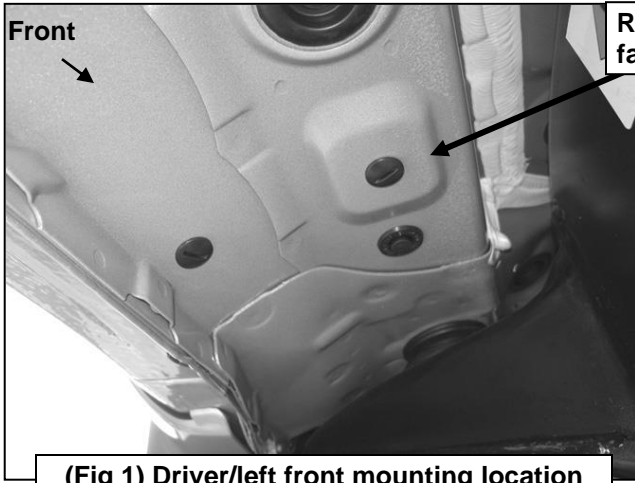


PROCEDURE:

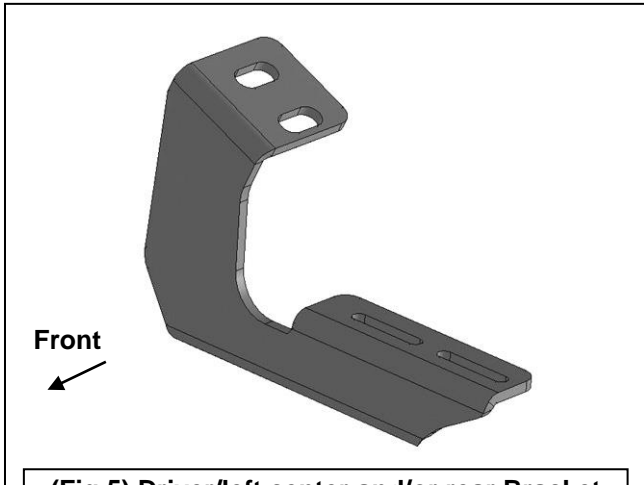
- 1. REMOVE CONTENTS FROM BOX. VERIFY ALL PARTS ARE PRESENT. READ INSTRUCTIONS CAREFULLY. USE ILLUSTRATION TO IDENTIFY BRACKETS AND RUNNING BOARDS.**
- Starting on the driver/left front of the vehicle, remove the plastic plugs, (or hex bolts), covering the threaded holes in the body panel, **(Figure 1)**. Select the driver/left front Mounting Bracket, **(Figure 2)**. Attach the Bracket to the vehicle with the included (2) 8mm Hex Bolts, (2) 8mm Lock Washers and (2) 8mm Flat Washers, **(Figure 3)**. Do not tighten hardware at this time.
- Move along the body panel to the center mounting location, **(Figure 4)**. Select (1) driver/left center and/or rear Mounting Bracket, **(Figure 5)**. Repeat **Step 2** to install the center Mounting Bracket, **(Figure 6)**.
- Continue to the last mounting location at the back of the cab, **(Figure 7)**. Select the remaining center/rear Bracket. Repeat **Step 3** to install the driver/left side rear Bracket, **(Figure 6)**. Do not tighten hardware at this time.
- Carefully unwrap (1) Running Board. Place the Running Board on top of the Brackets. Locate the channels in the bottom of the Running Board. Select (3) 6mm Double Bolt Plates, **(Figure 8)**. Insert the Bolt Plates into the channels in the bottom of the Running Board closest to the Brackets. Lift the Running Board up and guide the studs down through the Brackets.
- Attach the Running Board to the Mounting Brackets with the included (6) 6mm Flat Washers, (6) 6mm Lock Washers and (6) 6mm Hex Nuts, **(Figures 9—12)**. Do not tighten at this time.
- Level and adjust the Running Board and tighten all hardware.
- Repeat **Steps 2—7** for passenger/right side Running Board installation.
- Do periodic inspections to the installation to make sure that all hardware is secure and tight.

To protect your investment, Do not use any type of polish or wax that may contain abrasives that could damage the finish. Mild soap may be used to clean the Running Board.

Driver Side Installation Pictured

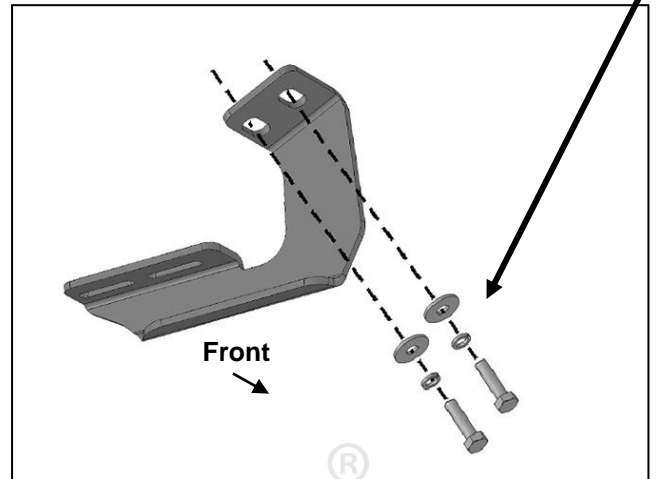


Driver Side Installation Pictured

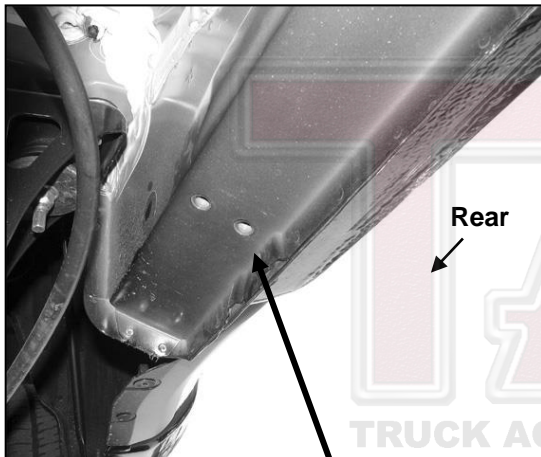


(Fig 5) Driver/left center and/or rear Bracket

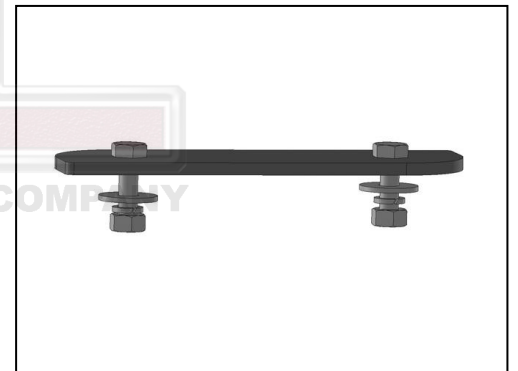
- (2) 8mm Hex Bolts
- (2) 8mm Lock Washers
- (2) 8mm Flat Washers



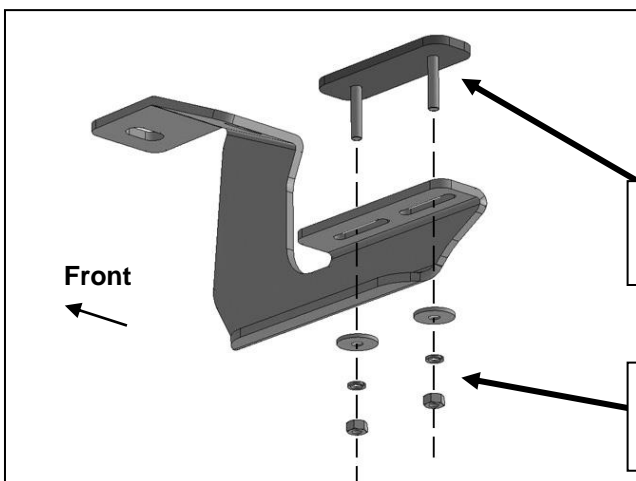
(Fig 6) Driver/left center/rear Bracket installation



(Fig 7) Driver/left rear mounting location



(Fig 8) 6mm Double Bolt Plate

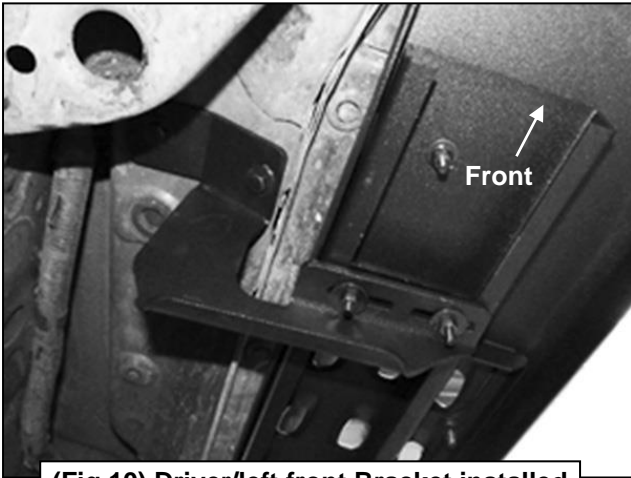


(Fig 9) Attach Running Board with Bolt Plates down through Brackets

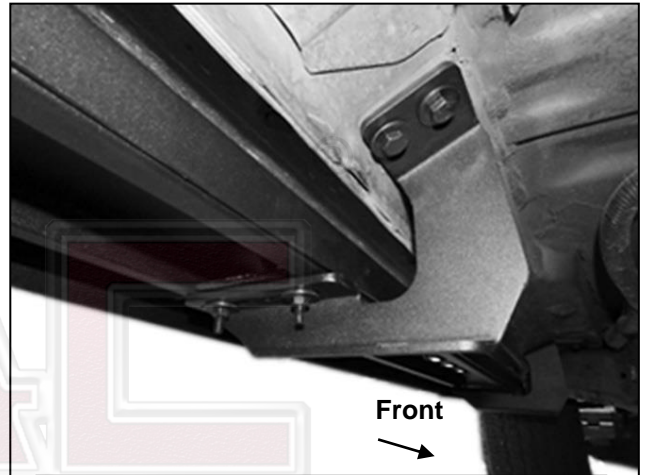
Slide Double Bolt Plates into channels in bottom of Running Board

- (2) 6mm Flat Washers
- (2) 6mm Lock Washers
- (2) 6mm Hex Nuts

Driver Side Installation Pictured



(Fig 10) Driver/left front Bracket installed



(Fig 11) Driver/left center Bracket installed



(Fig 12) Driver/left rear Bracket installed



Complete Installation