



INSTALLATION INSTRUCTIONS

FORMED STEEL RUNNING BOARDS

2019-2023 SILVERADO/SIERRA 1500 DOUBLE CAB

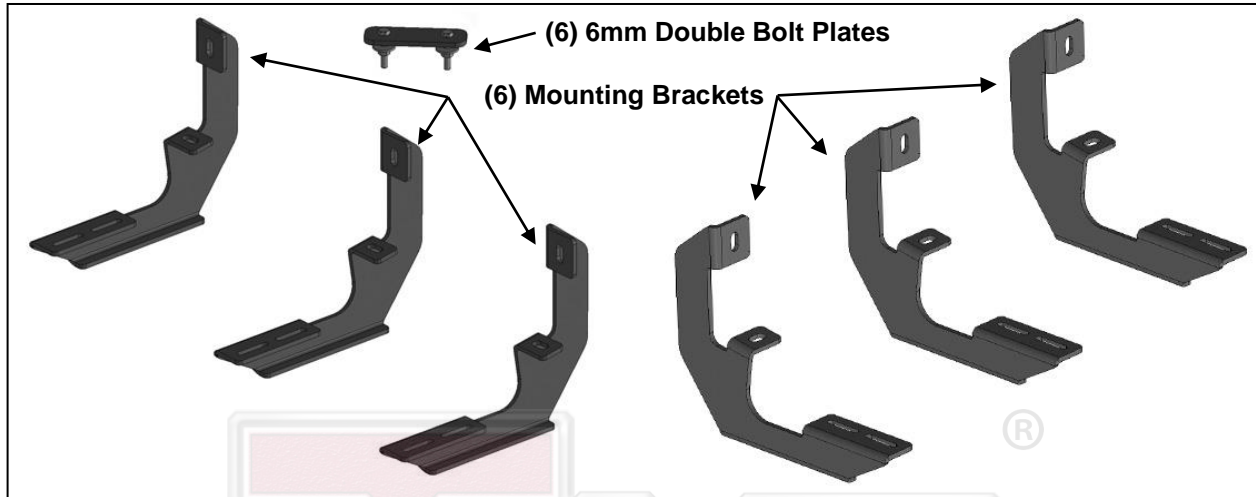
2020-2024 SILVERADO/SIERRA 2500/3500 DOUBLE CAB

PART# FG80C02B

TRUCK ACCESSORIES COMPANY

PARTS LIST:

2	Running Boards (80in)	6	6mm x 30mm Double Bolt Plates
6	Mounting Brackets	12	6mm x 22mm x 2mm Flat Washers
12	8-1.25mm x 30mm Hex Bolts	12	6mm Lock Washers
12	8mm Lock Washers	12	6mm Hex Nuts
12	8mm x 24mm x 2mm Flat Washers		



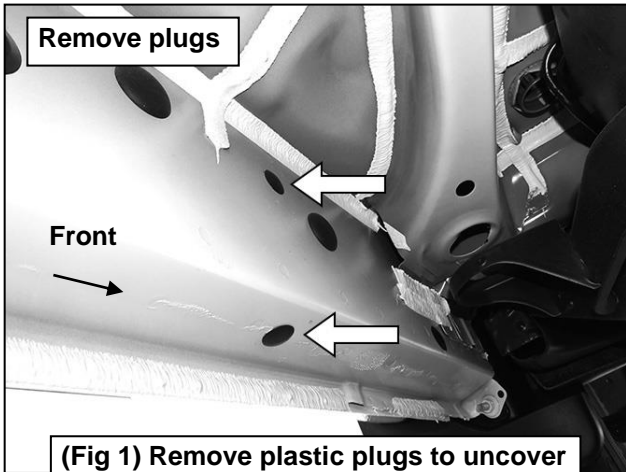
PROCEDURE:

REMOVE CONTENTS FROM BOX. VERIFY ALL PARTS ARE PRESENT. READ INSTRUCTIONS CAREFULLY BEFORE STARTING INSTALLATION. ASSISTANCE IS RECOMMENDED.

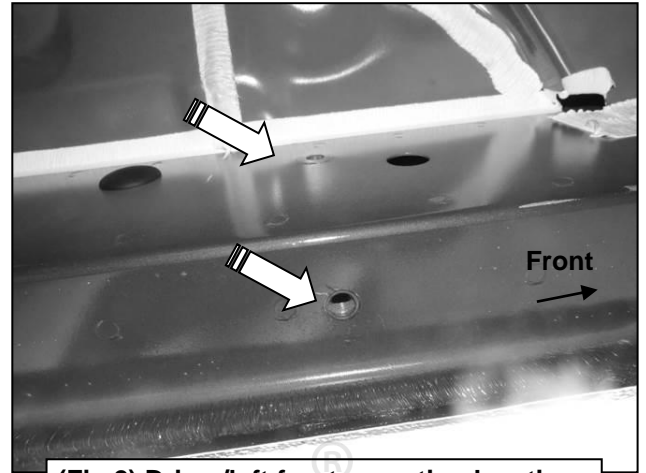
1. Start the installation under the driver/left side of the vehicle. Locate the 4 plugs along the bottom edge of the body. Mounting Brackets will attach to the 1st, 2nd and 4th pairs of threaded mounting holes, **(Figures 1, 4 & 5)**. Remove the plastic plugs from the front mounting location, **(Figure 2)**. Directly above each threaded insert is a top mounting location on the side of the body panel. Hold a Bracket up in place to help determine the mounting holes to use along the body. **NOTE:** Thread an 8mm Hex Bolt into the threaded inserts to clear paint as required.
2. Select (1) Mounting Bracket. Starting at the front of the driver/left side, attach the Mounting Bracket to the factory threaded holes with (2) 8mm Hex Bolts, (2) 8mm Lock Washers and (2) 8mm Flat Washers, **(Figure 3)**. Do not tighten hardware at this time.
3. Repeat **Steps 1 & 2** to install (2) Mounting Brackets in the driver/left center and rear mounting locations along the body panel, **(Figures 4 & 5)**.
4. Carefully unwrap and select (1) Running Board. Place the Running Board on top of the Brackets. Locate the channel in the bottom of the Running Board. Select (3) 6mm Double Bolt Plates, **(Figure 6)**. Insert the Bolt Plates into the channels in the bottom of the Running Board closest to the Brackets, **(Figure 7)**. Lift the Running Board up and guide the studs down through the Brackets, **(Figure 8)**.
5. Attach the Running Board to the Brackets with (6) 6mm Flat Washers, (6) 6mm Lock Washers and (6) 6mm Hex Nuts, **(Figures 8—10)**. **NOTE:** The Running Board is designed to fit close to the vehicle. It may be necessary to loosen the Bracket hardware slightly and tilt the Brackets downward to insert the Running Board between the Brackets and the body.
6. Level and adjust the Running Board and fully tighten all hardware.
7. Repeat **Steps 1—6** to install the passenger/right Running Board.
8. Do periodic inspections to the installation to make sure that all hardware is secure and tight.

To protect your investment, Do not use any type of polish or wax that may contain abrasives that could damage the finish. Mild soap may be used also to clean the Running Board.

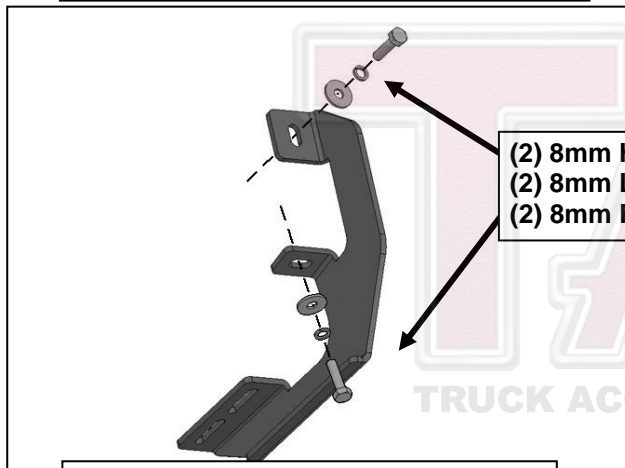
Driver/left side Installation Pictured



(Fig 1) Remove plastic plugs to uncover threaded mounting holes (arrows)

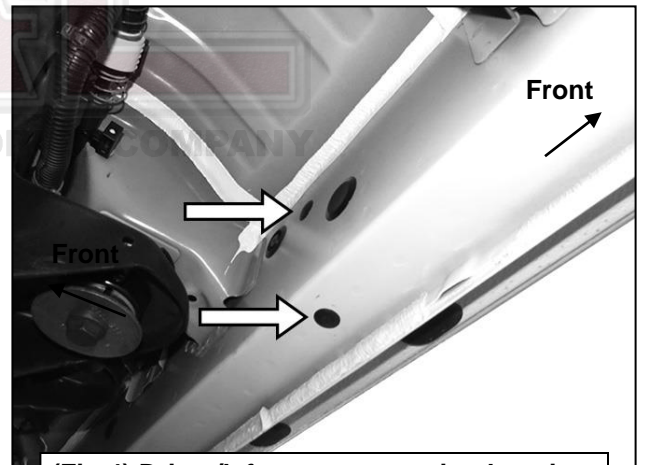


(Fig 2) Driver/left front mounting location

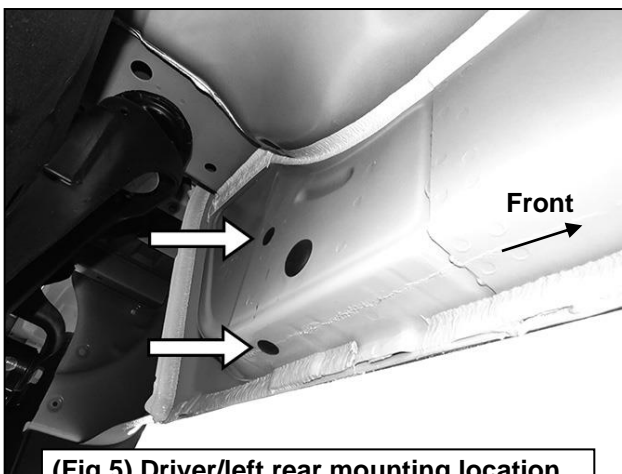


- (2) 8mm Hex Bolts
- (2) 8mm Lock Washers
- (2) 8mm Flat Washers

(Fig 3) Mounting Bracket illustration



(Fig 4) Driver/left center mounting location

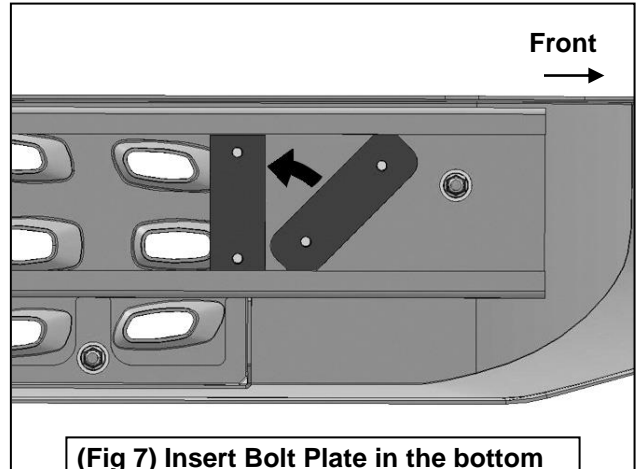


(Fig 5) Driver/left rear mounting location

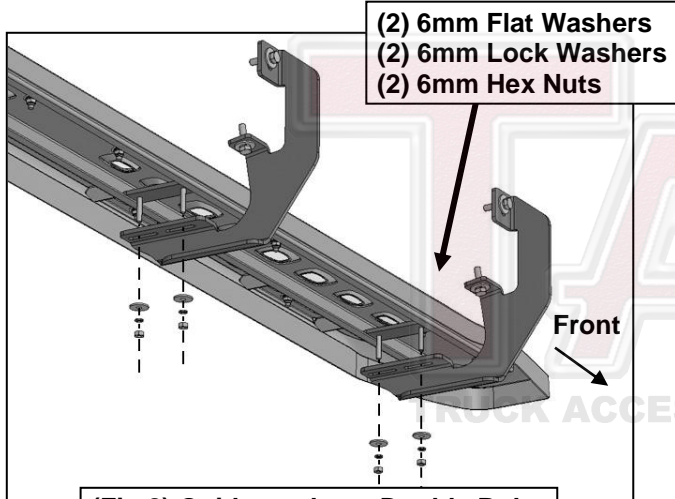
Driver/left side Installation Pictured



(Fig 6) 6mm Double Bolt Plate



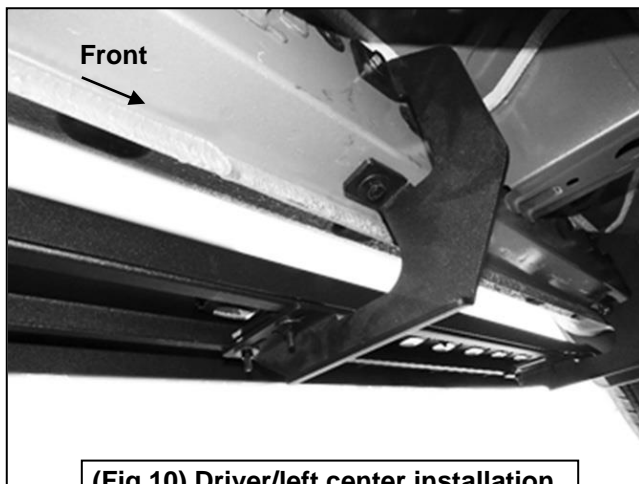
(Fig 7) Insert Bolt Plate in the bottom of the channel on the Running Board



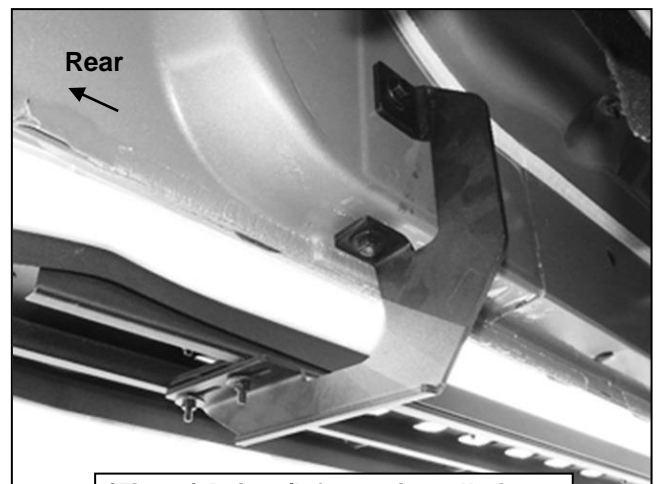
(Fig 8) Guide studs on Double Bolt Plate down through Brackets



(Fig 9) Driver/left front installation



(Fig 10) Driver/left center installation



(Fig 11) Driver/left rear installation