



INSTALLATION INSTRUCTIONS[®]

MESH EC1 MODULAR BULL BAR

2010-2024 TOYOTA 4RUNNER

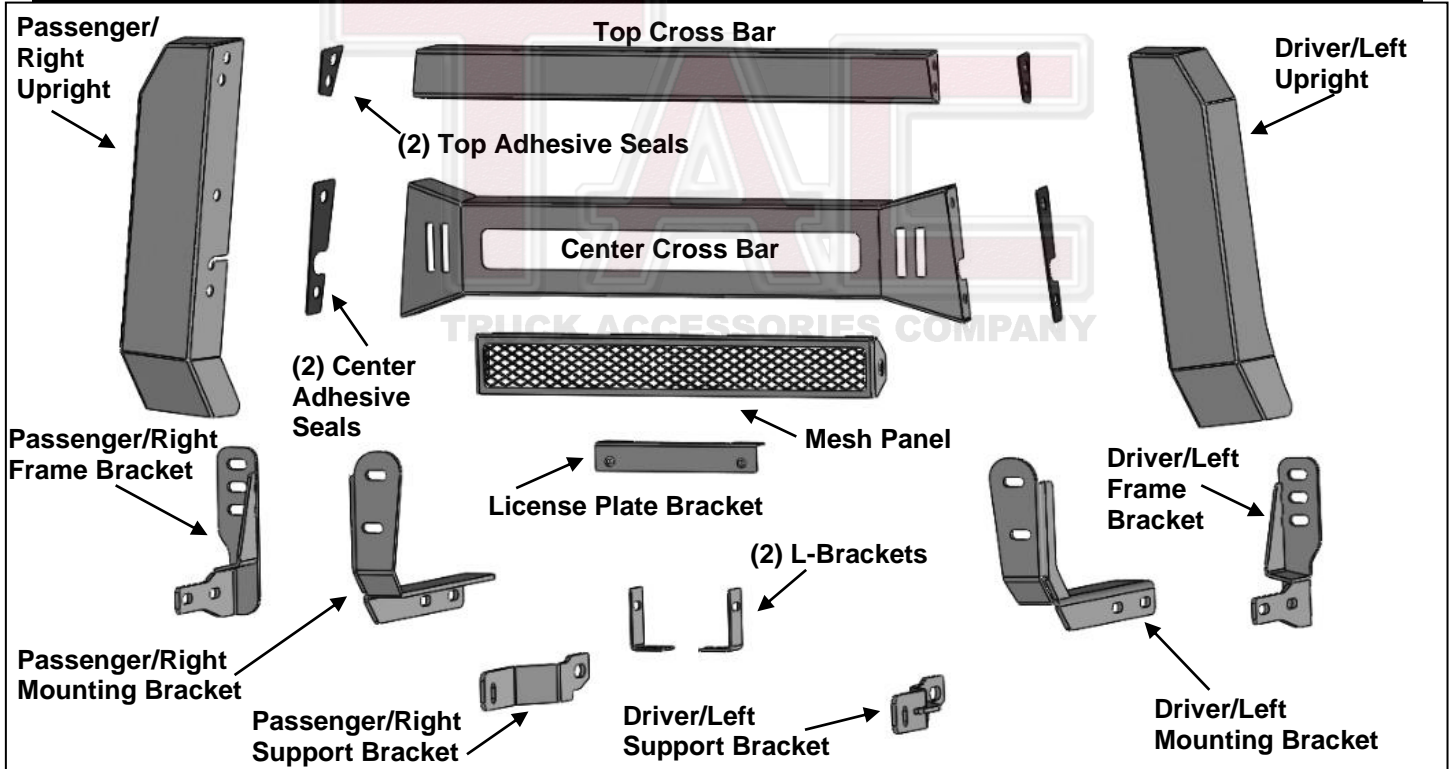
(Excluding 2014-2023 Limited/2019-2022 Nightshade Edition /22-23TRD Sport)

PART# EC1-T115TM

TRUCK ACCESSORIES COMPANY

PARTS LIST:

1	Driver/Left Bull Bar Upright	2	10-1.5mm x 45mm Hex Bolts
1	Passenger/Right Bull Bar Upright	2	10-1.5mm x 35mm Hex Bolts
1	Top Cross Bar	12	10-1.5mm x 25mm Hex Bolts
1	Center Cross Bar	12	10mm x 30mm OD x 3mm Flat Washers
1	Mesh Panel	16	10mm x 20mm OD x 2mm Flat Washers
2	L-Brackets	16	10mm Lock Washers
1	License Plate Bracket	12	10mm Hex Nuts
1	Driver/Left Frame Bracket	4	8-1.25mm x 25mm Hex Bolts
1	Passenger/Right Frame Bracket	2	8-1.25mm x 16mm Hex Bolts
1	Driver/Left Mounting Bracket	8	8mm x 24mm OD x 2mm Flat Washers
1	Passenger/Right Mounting Bracket	4	8mm Lock Washers
1	Driver/Left Support Bracket	4	8mm Hex Nuts
1	Passenger/Right Support Bracket	2	6-1.0mm x 20mm Button Head Bolts
2	Rubber Adhesive Top Seals	2	6-1.0mm x 20mm Button Combo Bolts
2	Rubber Adhesive Center Seals	4	6mm x 18mm OD x 1.6mm Flat Washers
2	12-1.25mm x 45mm Hex Bolts (Fine Thread)	2	6mm Lock Washers
2	12mm Lock Washers	2	6mm Hex Nuts
2	12mm x 37mm OD x 3mm Flat Washers	1	4mm Hex Wrench



PROCEDURE:

REMOVE CONTENTS FROM BOX. VERIFY ALL PARTS ARE PRESENT. READ INSTRUCTIONS CAREFULLY BEFORE STARTING INSTALLATION. CUTTING MAY BE REQUIRED

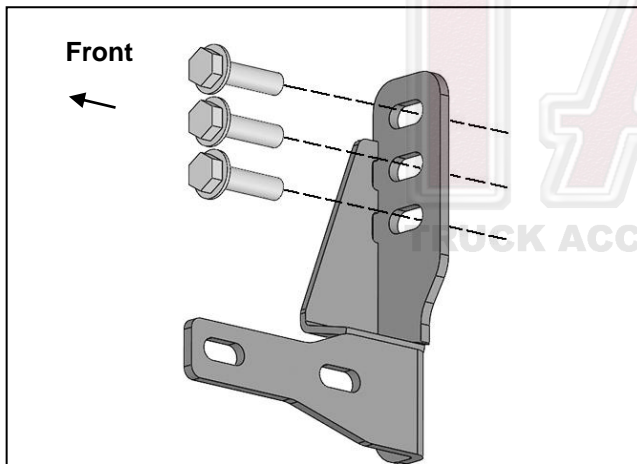
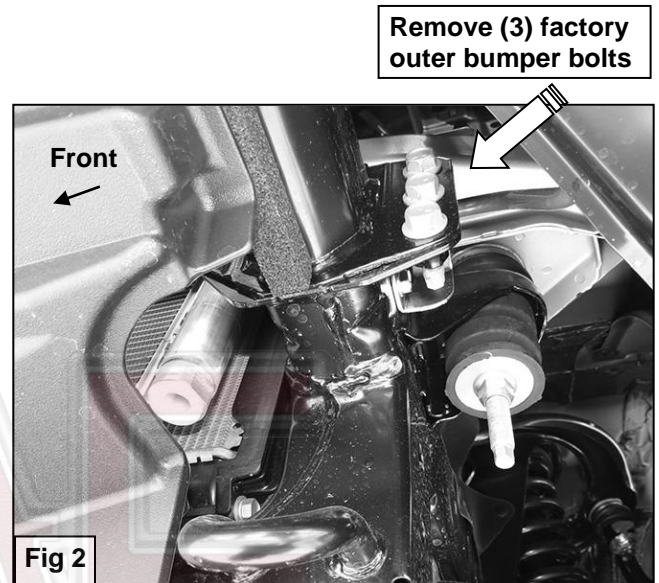
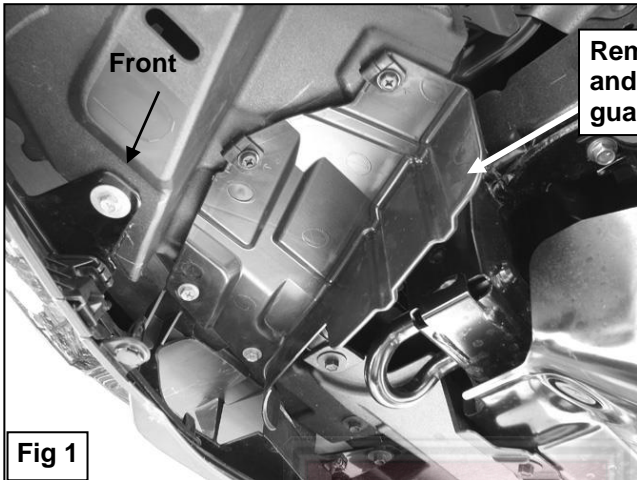
1. From under the front of the vehicle, remove the Driver/Left side and Passenger/Right side plastic splash guards, (if equipped), and place them on a clean, stable work area, **(Figure 1)**. To make reinstallation easier, note type and location of all factory fasteners. The plastic center splash guard may also be removed for better access to bumper bracket hardware if necessary.
2. Starting on the Driver/Left side, remove the (3) factory bumper mount bolts located toward the outside of the bumper mount, **(Figure 2)**. Select the Driver/Left Frame Bracket. Line up the (3) slots in the

Frame Bracket with the (3) threaded holes for the factory bumper bracket. Reuse the (3) factory bolts to attach the Frame Bracket to the factory bumper bracket, **(Figures 3 & 4)**. Do not tighten hardware.

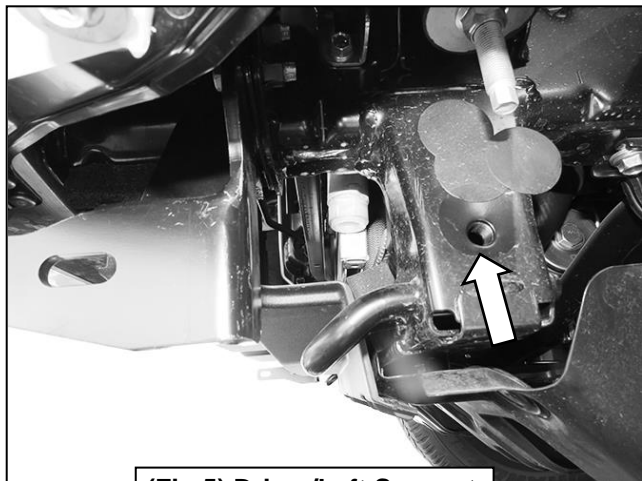
3. Select the Driver/Left Mounting Bracket and Support Bracket. Align the Mounting Bracket to the inside of the Frame Bracket and the Support Bracket to the outside. Attach the Brackets to the Frame Bracket with (1) 10mm x 45mm Hex Bolt, (1) 10mm x 35mm Hex Bolt, (4) 10mm x 30mm Flat Washers, (2) 10mm Lock Washers and (2) 10mm Hex Nuts, **(Figures 5, 6 & 8)**. Do not tighten hardware.
4. Attach the Support Bracket to the frame with (1) 12mm Hex Bolt, (1) 12mm Lock Washer and (1) 12mm Flat Washer, **(Figures 7 & 8)**. Do not tighten hardware.
5. Repeat **Steps 1—4** to attach the Passenger/Right Brackets.
6. Carefully unwrap all remaining parts of the Bull Bar. Select the Driver/Right Bull Bar Upright and the Top Cross Bar. Attach (1) Rubber Self-Adhesive Top Seal between the Upright and Top Cross Bar. Attach the Top Cross Bar to the Upright with (2) 10mm x 25mm Hex Bolts, (4) 10mm x 20mm Small Flat Washers, (2) 10mm Lock Washers and (2) 10mm Hex Nuts, **(Figure 9)**. Do not tighten hardware.
7. Select the Center Cross Bar. Attach the Black Rubber Self-Adhesive Center Seal between the Upright and the Center Cross bar. Repeat **Step 6** to attach the Center Cross Bar to the Upright, **(Figure 9)**. Do not tighten hardware.
8. Repeat **Steps 6 & 7** to attach the Passenger/Right Bull Bar Upright to the Top and Center Cross Bars. Place assembled Bull Bar face down on a clean flat surface and fully tighten hardware.
9. Relocation of front license plate is not required, but strongly recommended.
 - a. Attach the License Plate Bracket to the Center Cross Bar with (2) 6mm Button Head Bolts, (4) 6mm Flat Washers, (2) 6mm Lock Washers and (2) 6mm Hex Nuts, **(Figure 10)**. Use the (2) 6mm Button Combo Bolts to attach the front license plate to the Bracket.
10. LED light installation, (light not included).
 - a. Start at the Driver/Left side of the Bull Bar assembly. Select (1) L-Bracket. Attach the Bracket to the slot in the back of the Center Cross Bar with (1) 8mm x 25mm Hex Bolt, (2) 8mm Flat Washers, (1) 8mm Lock Washer and (1) 8mm Hex Nut, **(Figure 11)**. **NOTE:** Check for clearance between the Hex Bolt and the bottom of the Light. If necessary, insert the Hex Bolts down through the Brackets then through slots in the Cross Bar. Do not tighten hardware. Repeat to attach remaining L-Bracket to Passenger/Right side.
 - b. If needed, use the included (2) 8mm x 16mm Hex Bolts, (2) 8mm Lock Washers and (2) 8mm Flat Washers to attach the LED light bar to the Brackets, **(Figure 11)**.
 - c. Follow light manufacturer's instructions to properly wire the light bar to the electrical system.
 - d. Proceed to **Step 12**.
11. Center Screen Fill Panel Installation, (cannot be installed with LED light).
 - a. Select (1) L-Bracket. Attach the Bracket to the outside of the tab on the Fill Panel with (1) 8mm x 25mm Hex Bolt, (2) 8mm Flat Washers, (1) 8mm Lock Washer and (1) 8mm Hex Nut, **(Figure 12)**. **NOTE:** Insert the Hex Bolt through the tab on the Panel and out through the Bracket. Repeat to attach remaining L-Bracket to Passenger/Right side. Do not tighten hardware.
 - b. Attach the Mesh Panel to the L-Brackets with (2) 8mm x 25mm Hex Bolts, (4) 8mm 24mm Flat Washers, (2) 8mm Lock Washers and (2) 8mm Hex Nuts, **(Figure 12)**.
 - c. Push the Fill Panel up tight against the inside of the opening and fully tighten hardware.
12. With assistance, line up the lower (2) mounting holes in the back of the Bull Bar with the previously installed Bull Bar Brackets. Attach the Bull Bar to the Brackets with the included (4) 10mm x 25mm Hex Bolts, (4) 10mm Lock Washers, (4) 10mm x 30mm Flat Washers, **(Figure 13)**. Do not tighten hardware.
13. Level and adjust Bull Bar and tighten all hardware.
14. Reinstall the center splash guard if it was previously removed.
15. Select the Driver/Left side plastic splash guard (if equipped) and hold it up in position against the Frame Bracket. Mark the area that needs to be removed from the splash guard to clear the Bracket. Check the location carefully and cut only the minimum amount of plastic from the splash guard to clear the Bracket, **(Figure 14)**. Once the slot has been checked for clearance, reinstall the splash guard with the factory hardware. Repeat this step to reinstall the Passenger/Right side splash guard.
16. Do periodic inspections to the installation to make sure that all hardware is secure and tight.

To protect your investment, wax this product after installing. Regular waxing is recommended to add a protective layer over the finish. Do not use any type of polish or wax that may contain abrasives that could damage the finish. Mild soap may be used to clean the Bull Bar.

Driver/left Side Installation Pictured



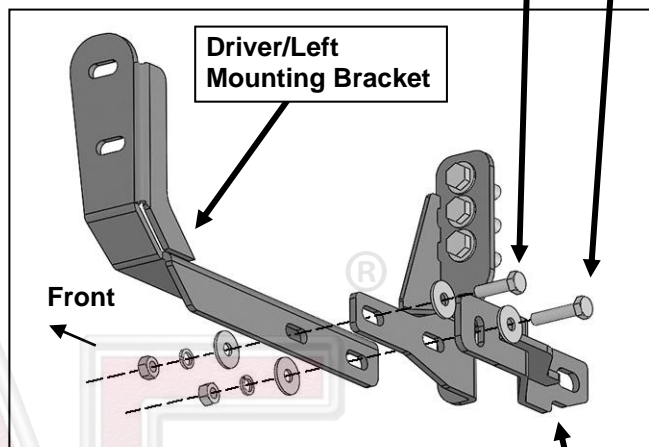
Driver/Left Side Installation Pictured



(Fig 5) Driver/Left Support Bracket mounting location

10mm x 45mm Hex Bolt
(2) 10mm x 30mm Flat Washers
10mm Lock Washer
10mm Hex Nut

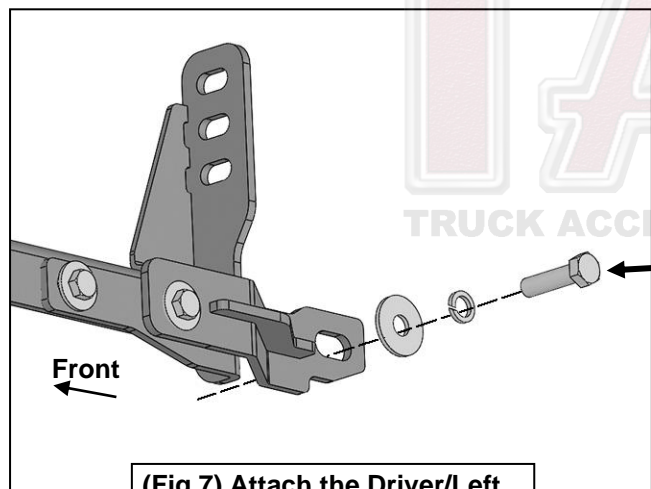
10mm x 35mm Hex Bolt
(2) 10mm x 30mm Flat Washers
10mm Lock Washer
10mm Hex Nut



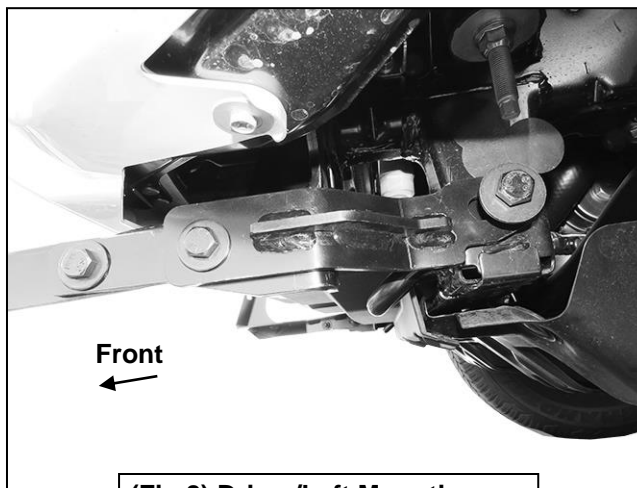
(Fig 6) Attach the Driver/Left Mounting Bracket and Support Bracket to the Frame Bracket

Driver/Left Support Bracket

12mm x 45mm Hex Bolts
12mm Lock Washers
12mm Flat Washers

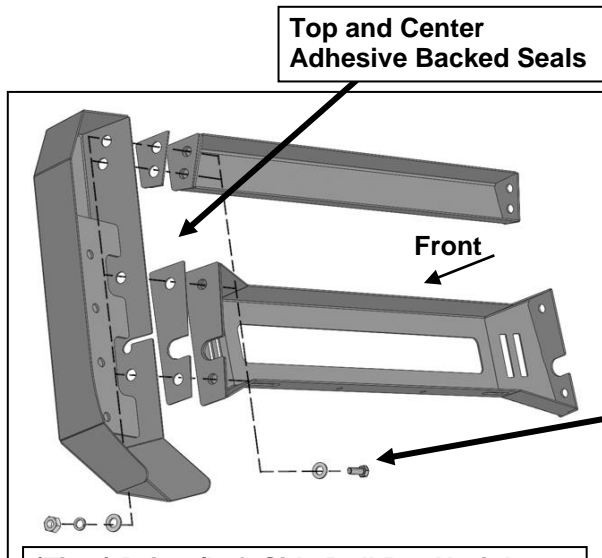


(Fig 7) Attach the Driver/Left Support Bracket to the Frame



(Fig 8) Driver/Left Mounting and Support Brackets attached

Driver/Left Side Installation Pictured



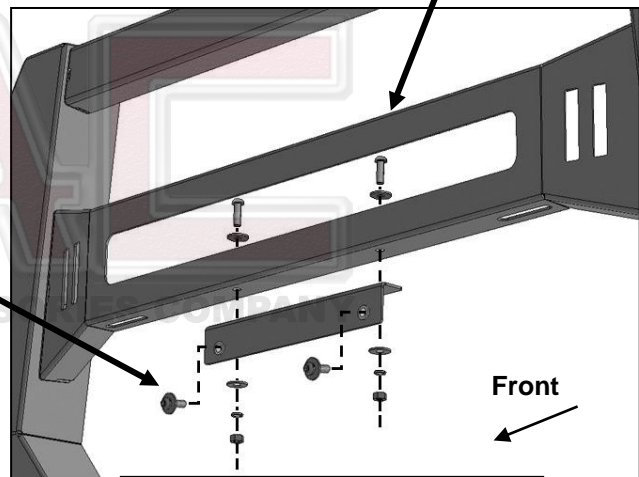
Top and Center
Adhesive Backed Seals

Front

- (4) 10mm x 25mm Hex Bolts
- (8) 10mm x 20mm Flat Washers
- (4) 10mm Lock Washers
- (4) 10mm Hex Nuts

(Fig 9) Driver/Left Side Bull Bar Upright attached to Top and Center Cross Bars

- (2) 6mm Button Head Bolts
- (4) 6mm Flat Washers
- (2) 6mm Lock Washers
- (2) 6mm Hex Nuts



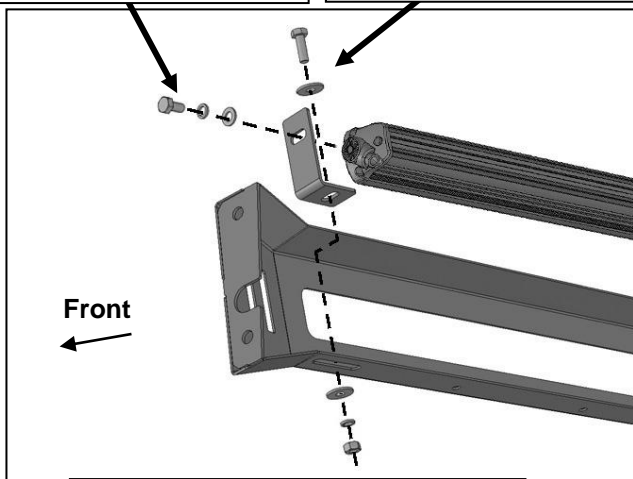
(2) 6mm Button Head
Combo Bolts

Front

(Fig 10) Attach License Plate Bracket to bottom of Cross Bar

- 8mm x 16mm Hex Bolt
- 8mm Lock Washer
- 8mm Flat Washer

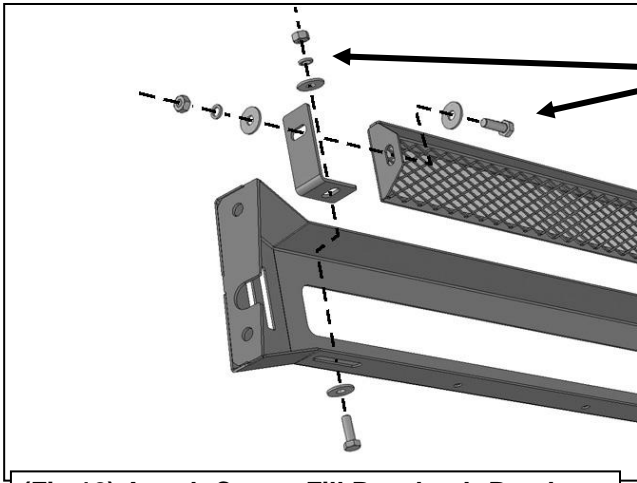
- 8mm x 25mm Hex Bolt
- (2) 8mm Flat Washers
- 8mm Lock Washer
- 8mm Hex Nuts



Front

(Fig 11) Attach L-Brackets to slots in bottom of Center Cross Bar

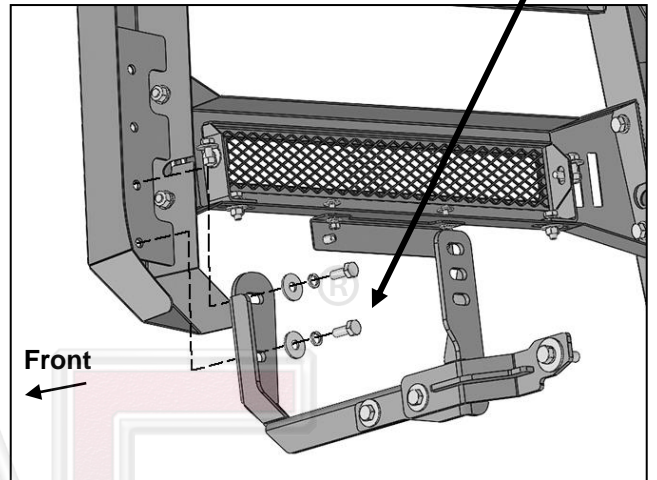
Driver/Left Side Installation Pictured



8mm x 25mm Hex Bolt
(2) 8mm Flat Washers
8mm Lock Washer
8mm Hex Nuts

(2) 10mm x 25mm Hex Bolts
(2) 10mm Lock Washers
(2) 10mm x 30mm Flat Washers

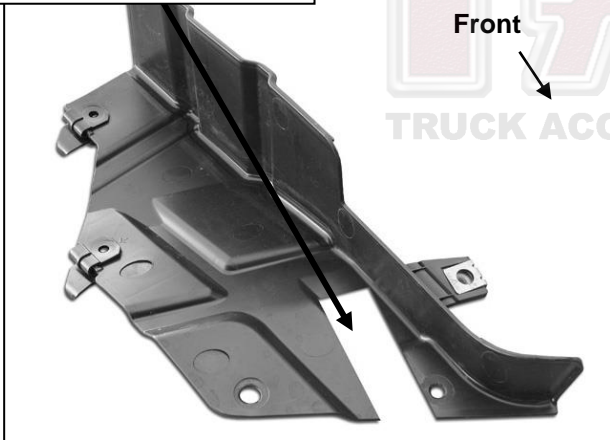
(Fig 12) Attach Center Fill Panel to L-Brackets



Front

(Fig 13) Attach Bull Bar assembly to Brackets

Cut out area illustrated
as an example only



Front

(Fig 14) Driver/Left splash guard pictured



Complete Installation