



INSTALLATION INSTRUCTIONS[®]

BULL BAR

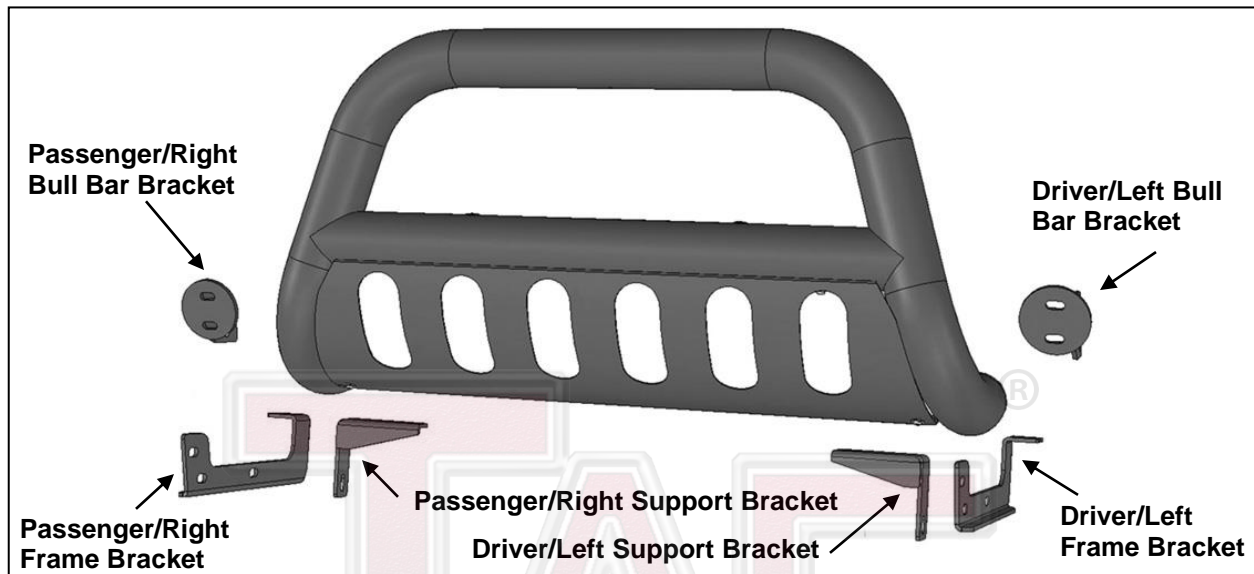
**TAC 3" Bull Bar Black Compatible with 2017-2023 Honda Ridgeline Pickup
Truck Front Brush Bumper Guard Grille Guard Push Guard SUV Off Road
Automotive Exterior Accessories**

PART# 75170B

TRUCK ACCESSORIES COMPANY

PARTS LIST:

1	Bull Bar	6	10-1.5mm x 30mm Hex Bolts
1	Driver/Left Frame Bracket	12	10mm x 27mm OD x 3mm Flat Washers
1	Passenger/Right Frame Bracket	6	10mm Lock Washers
1	Driver/Left Support Bracket	6	10mm Hex Nuts
1	Passenger/Right Support Bracket	4	8-1.25mm x 25mm Hex Bolts
1	Driver/Left Bull Bar Mounting Bracket	4	8mm x 24mm OD x 2mm Flat Washers
1	Passenger/Right Bull Bar Mounting Bracket	4	8mm Lock Washers



PROCEDURE:

REMOVE CONTENTS FROM BOX. VERIFY ALL PARTS ARE PRESENT. READ THE INSTRUCTIONS CAREFULLY. CUTTING IS REQUIRED. It may be necessary to remove/relocate front license plate and license plate bracket. It is not required, but strongly recommended. If local/state law requires a license plate, a license plate relocation kit is available separately.

1. Start installation under the front bumper. Carefully remove the large center plastic splash guard under the bumper, **(Figure 1)**. **NOTE:** There may be several two-piece push-in clips holding the splash guard up to the vehicle. Pry the center pin of the clip up with a small flat blade screwdriver and remove the entire clip. Pay close attention to the type and location of all factory hardware for reinstallation.
2. Remove the factory hex bolt from the bottom of the cross member, **(Figure 2)**. Select the driver/left Support Bracket, **(Figure 3)**. Reuse the hex bolt to attach the Support Bracket to the cross member. Snug but do not fully tighten hex bolt at this time.
3. Next, **loosen but do not remove** the large frame bolt, **(Figure 4)**. Select the driver /left Frame Bracket. Slide the inner slotted end of the Frame Bracket under the frame bolt, **(Figures 5 & 9)**. **IMPORTANT:** Only loosen the frame bolt enough to slide the Bracket under the head of the bolt. **Do not fully loosen or remove the frame bolt.** Do not fully tighten hardware at this time.
4. Attach the Support Bracket to the inner side of the Frame Bracket with (1) 10mm x 30mm Hex Bolt, (2) 10mm Flat Washers, (1) 10mm Lock Washer and (1) 10mm Hex Nut, **(Figures 6 & 9)**. Snug but do not fully tighten hardware at this time.
5. Repeat **Steps 2—4** to install the passenger/right side Brackets.
6. Select the driver/left side Bull Bar Mounting Bracket, **(Figure 7)**. Attach the Bracket to the end of the Bull Bar with (2) 8mm x 25mm Hex Bolts, (2) 8mm Lock washers and (2) 8mm Flat Washers. Do not tighten hardware at this time. Repeat to attach the passenger/right Bull Bar Bracket to the Bull Bar.
7. With assistance, attach the Bull Bar and Brackets to the inside of the Frame Brackets with the included (4) 10mm x 30mm Hex Bolts, (8) 10mm Flat Washers, (4) 10mm Lock Washers and (4) 10mm Hex Nuts, **(Figures 8—10)**. Once the Bull Bar is fully installed on the vehicle, level, adjust and tighten only

the (2) factory hex bolts attaching the Support Brackets, **(Figures 2 & 3)**. **IMPORTANT:** Only tighten the Support Bracket to cross member bolts at this time. Remove the Bull Bar and Frame Brackets. Only loosen the larger frame bolts enough to remove frame brackets. **Do not fully loosen or remove the large frame bolts, (Figure 4).**

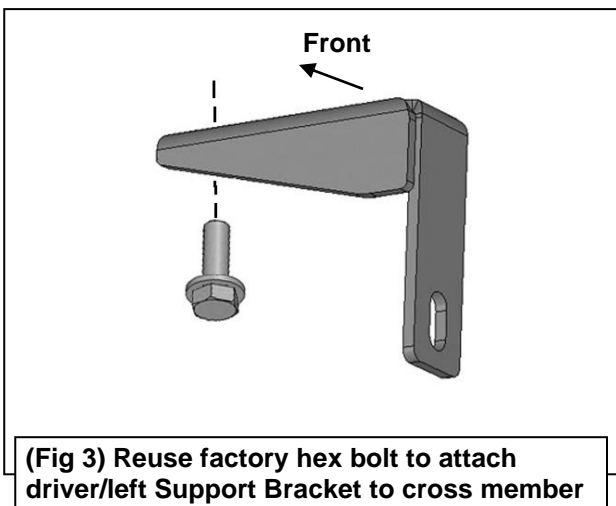
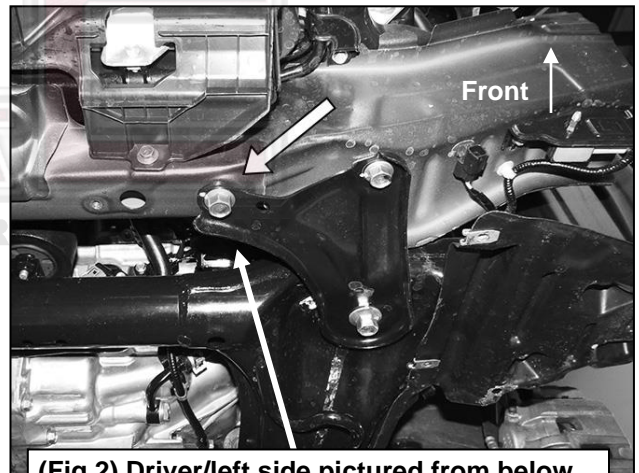
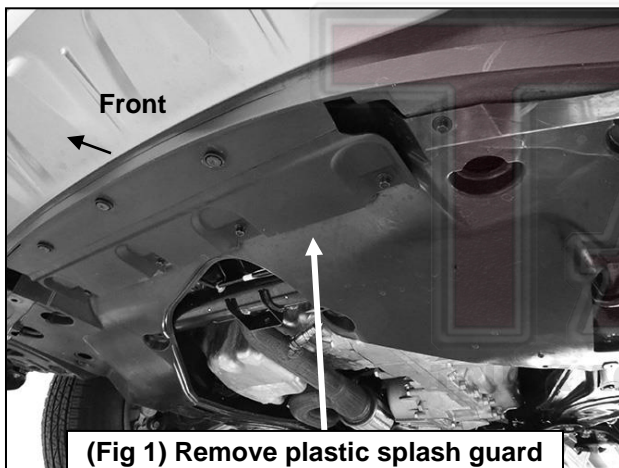
8. Hold the splash guard up to the original location and mark the location of the Support Brackets onto the cover, **(Figure 11)**. Use a sharp knife or hacksaw blade to cut a slot in the cover to clear the Bracket. Next, cut out the area around large frame bolt to clear the inner end of the Frame Brackets, **(Figure 12)**. If necessary, hold the Frame Brackets up to the cover to determine area to cut out of cover, (approximately a 2" x 2" square). Once all cuts have been made and checked for clearance around Brackets, reinstall the splash guard using the factory hardware.
9. Reinstall the Frame Brackets over and through the splash guard. Reattach the Frame Brackets to the Support Brackets. Reinstall the Bull Bar, level and adjust and fully tighten all hardware, **(Figure 12)**.
10. Do periodic inspections to the installation to make sure that all hardware is secure and tight.

To protect your investment, wax this product after installing. Regular waxing is recommended to add a protective layer over the finish. Do not use any type of polish or wax that may contain abrasives that could damage the finish.

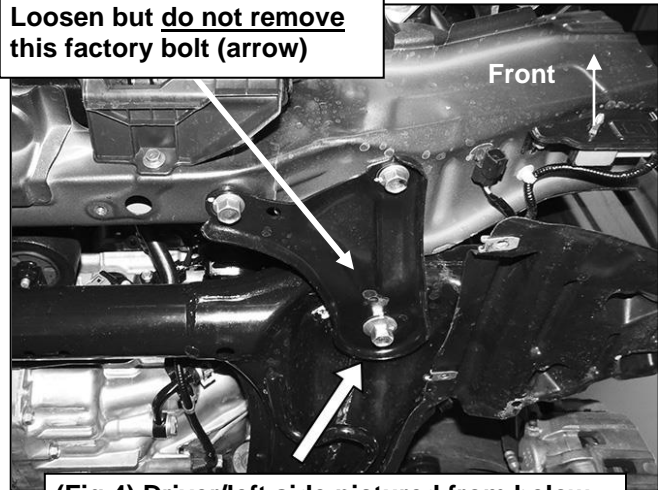
For stainless steel: Aluminum polish may be used to polish small scratches and scuffs on the finish. Mild soap may be used also to clean the Bull Bar.

For gloss black finishes: Mild soap may be used to clean the Bull Bar.

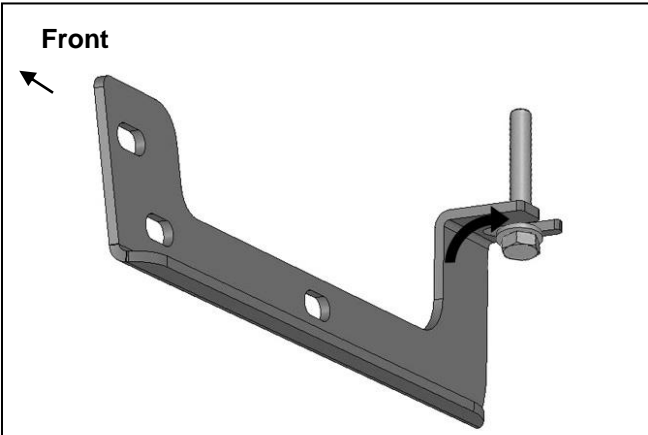
Driver/left Side Installation Pictured



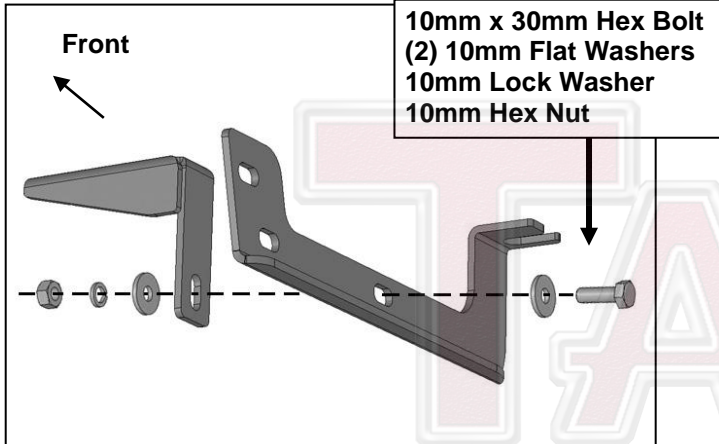
Driver/left Side Installation Pictured



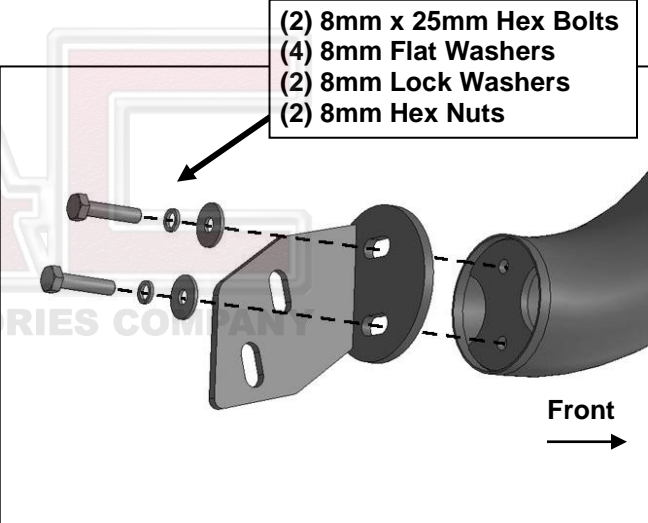
(Fig 4) Driver/left side pictured from below. Temporarily loosen the factory bolt (arrow)



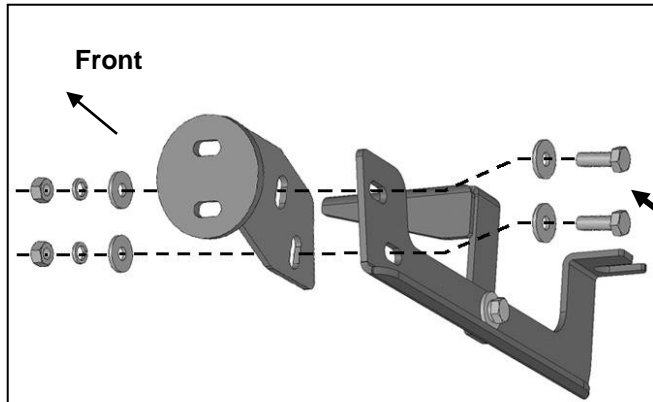
(Fig 5) Loosen bolt only enough to slide Frame Bracket under head of bolt (Driver/left Bracket)



(Fig 6) Attach Frame Bracket to Support Bracket

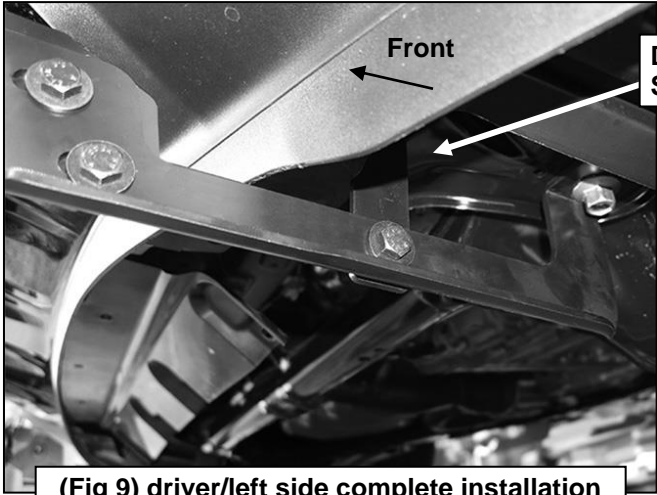


(Fig 7) Attach driver/left Bull Bar Bracket to Bull Bar

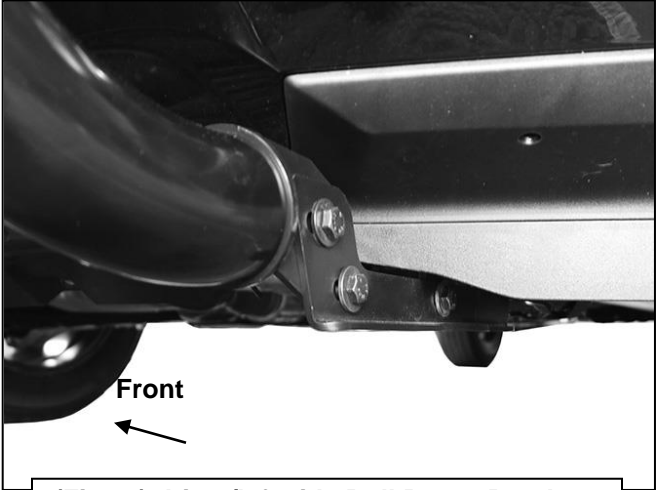


(Fig 8) Attach Bull Bar (with Mounting Brackets) to inside of Frame Brackets

Driver/left Side Installation Pictured



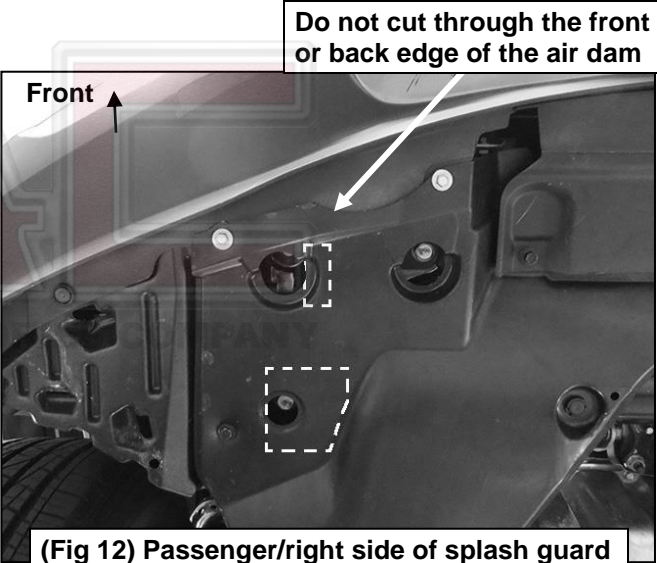
(Fig 9) driver/left side complete installation



(Fig 10) driver/left side Bull Bar to Brackets



(Fig 11) Hold splash guard up to bottom of Brackets to determine areas to cut from cover. (Bottom of splash guard pictured)



(Fig 12) Passenger/right side of splash guard pictured. Use dashed line as reference only

Mark the Support Bracket (top) location onto the bottom of the splash guard. Temporarily remove the Bull Bar and Frame Brackets. Do not remove Support Brackets. Cut openings for Frame Brackets and Support Brackets. Reinstall splash guard, trim for clearance if necessary. Reinstall Frame Brackets and Bull Bar



Complete Installation