

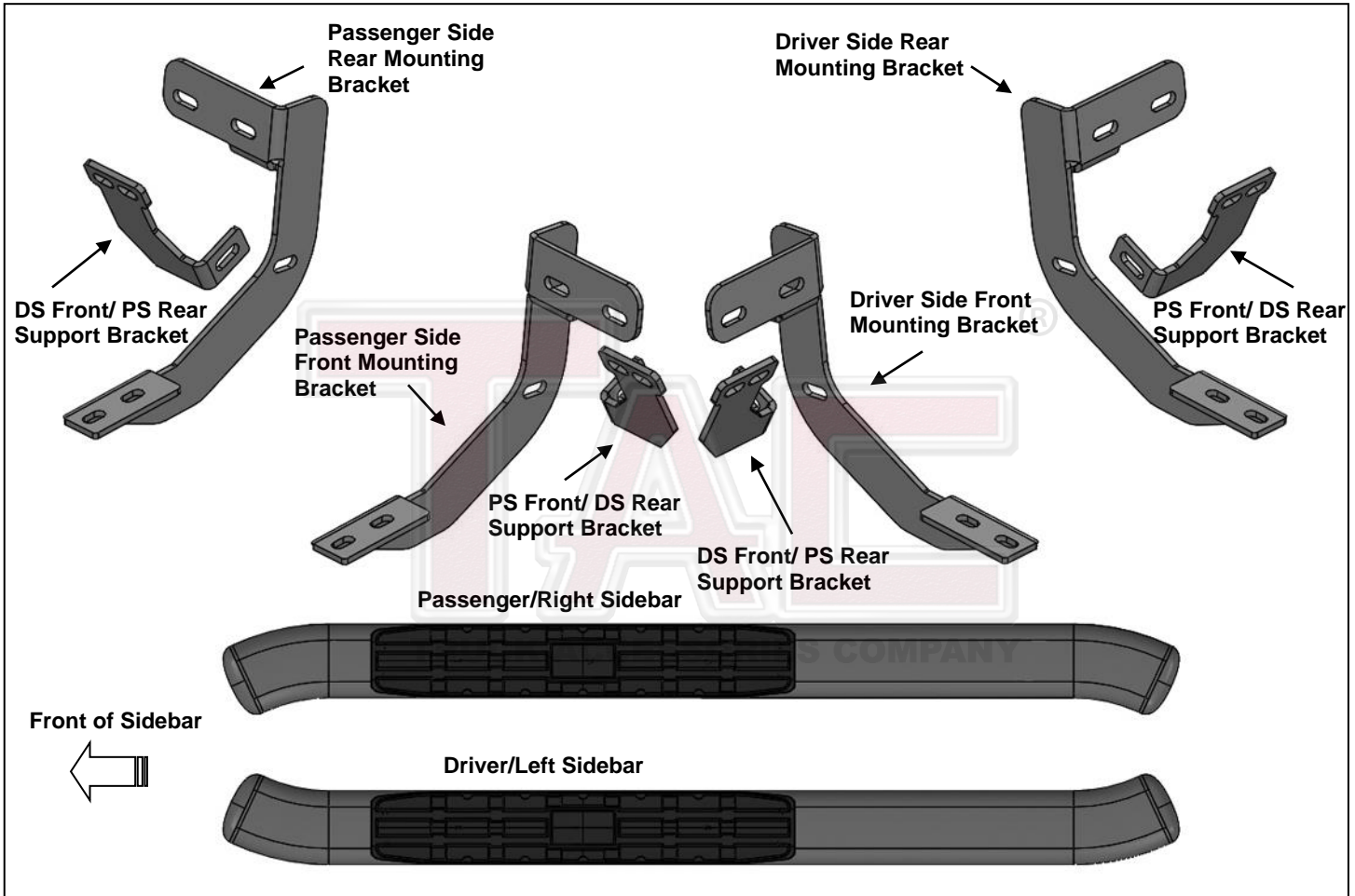


## **INSTALLATION INSTRUCTIONS**

**TEXTURE BLACK PNC SIDE STEP**  
**2009-2018 DODGE RAM 1500 REGULAR CAB**  
**2010-2023 DODGE RAM 2500/3500/4500/5500 REGULAR CAB**  
**(INCL.2019-2023 RAM 1500 CLASSIC)**  
**PART# 40-23500T**

**PARTS LIST:**

1	Driver/left side PNC Sidebar	12	8-1.25mm x 30mm Hex Bolts
1	Passenger/right side PNC Sidebar	8	8-1.25mm x 25mm Button Head Combo Bolts
1	Driver/left side Front Mounting Bracket	16	8mm x 24mm x 2mm Flat Washers
1	Passenger/right side Front Mounting Bracket	8	8mm Lock Washers
1	Driver/left side Rear Mounting Bracket	4	8-1.25mm Hex Nuts
1	Passenger/right side Rear Mounting Bracket	4	8-1.25mm Nylon Lock Nuts
2	DS Front & PS Rear Support Brackets	8	6-1.0mm x 25mm Hex Bolts
2	DS Rear & PS Front Support Brackets	16	6mm x 22mm x 2mm Flat Washers
4	8mm Bolt-Nut Plates	8	6-1.0mm Nylon Lock Nuts
4	8mm Plastic Retainers		



**PROCEDURE:**

1. REMOVE CONTENTS FROM BOX. VERIFY ALL PARTS ARE PRESENT. READ INSTRUCTIONS CAREFULLY BEFORE STARTING INSTALLATION. DRILLING MAY BE REQUIRED.
2. Starting at the driver/left side front of the vehicle, remove the sealing tape covering the factory holes in the side of the inner panel, **(Figure 1)**.
3. Determine the correct procedure to attach the driver/left side front Bracket for your model/year:
 

**Models without factory threaded inserts in body panel:**

  - a. Partially thread (1) 8mm Hex Bolt into the threaded end of an 8mm Bolt-Nut Plate, **(Figure 2)**. Thread the Hex Bolt in until it is flush with the welded nut, **(Figure 3)**. Use the Hex Bolt as a handle and insert the Bolt- Nut Plate into the oval hole, **(Figure 4)**. Feed the threaded bolt on the Plate through one of the hex shaped factory holes. Thread (1) 8mm Plastic Retainer onto the threaded end and down tight against the body panel, **(Figure 5)**. **NOTE:** The Plastic Retainer is designed to keep the Bolt-Nut Plate from falling into the body panel and to aid in Bracket installation.

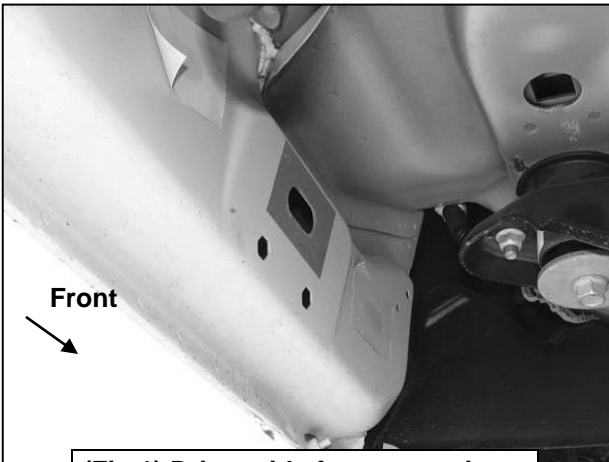
- b. Select the driver/left side front Mounting Bracket, **(Figure 6)**. Attach the Bracket to the threaded end of the Bolt-Nut Plate with (1) 8mm Flat Washer, (1) 8mm Lock Washer and (1) 8mm Hex Nut, **(Figure 7)**. Do not tighten at this time.
- c. Remove the 8mm Hex Bolt from the nut on the Bolt-Nut Plate from **Step 3a**. Rotate the Bolt on the Bolt Plate until the threaded nut lines up with the remaining hole in the Mounting Bracket and body panel, **(Figure 8)**. Attach the Bracket to the threaded nut on the Plate with (1) 8mm x 30mm Hex Bolt, (1) 8mm Lock Washer and (1) 8mm Flat Washer. Do not tighten hardware at this time.

**Models with factory threaded inserts:**

- a. Attach the driver side Front Bracket to the threaded inserts with (2) 8mm x 30mm Hex Bolts, (2) 8mm Lock Washers and (2) 8mm Flat Washers, **(Figures 9 & 10)**. Leave hardware loose.
4. Next, select the driver/left side front Support Bracket. Attach the Bracket to the front facing side of the front Bracket with (1) 8mm x 30mm Hex Bolt, (2) 8mm Flat Washers and (1) 8mm Nylon Lock Nut, **(Figure 11)**. Rotate the Support Bracket to the back of the pinch weld. Line up the slots in the top of the Support Bracket with the (2) factory holes in the pinch weld. Attach the Bracket to the back of the pinch weld with (2) 6mm x 25mm Hex Bolts, (4) 6mm Flat Washers and (2) 6mm Nylon Lock Nuts, **(Figures 12 & 13)**. Do not fully tighten hardware at this time. **IMPORTANT:** Some **2009-12** models are not equipped with factory holes and will require drilling through the pinch weld to attach the Support Bracket. Do not drill through pinch weld at this time, **(see Step 9)**.
5. Move to the rear location, **(Figure 14)**. Repeat **Step 3** to install the Driver/left side Rear Mounting Bracket, **(Figure 15)**. Select the driver/left side Rear Support Bracket, **(Figure 15)**. Repeat **Step 4** to attach the Support Bracket to the rear facing side of the rear Bracket and factory holes (if equipped) in the pinch weld, **(Figure 16)**. **IMPORTANT:** The rear bracket is different from the front Brackets, (see illustration above-note direction of mounting plate).
6. Once all Brackets have been installed, select the driver/left Sidebar. **NOTE:** The stepping pad is closer to the front end of the Sidebar.
7. With assistance, carefully position the Sidebar onto the (2) Mounting Brackets. **IMPORTANT:** Do not slide the Sidebar on the Brackets, (front to back), or the finish on the Sidebar may be damaged.
8. Attach the Driver/left Sidebar to the Mounting Brackets using (4) 8mm Combo Bolts, **(Figures 17—20)**. Do not tighten hardware.
9. Properly level and adjust the Sidebar and fully tighten all hardware.  
**2009-12 models requiring drilling for Support Brackets:**
  - a. Make sure the Sidebar is level to the vehicle. Adjust and tighten all mounting hardware.
  - b. Line up the slots on the Support Brackets with the back of the pinch weld. Mark the location of the slots onto the pinch weld.
  - c. Drill (2) 1/4" holes through the pinch weld for each Support Bracket. **IMPORTANT:** Do not drill too close to the bottom edge of the pinch weld. Adjust the Brackets as necessary to move the slots up the body panel away from the edge. Drill the holes toward the outside of the marked slots.
  - d. Attach each Support Bracket to the pinch weld with (2) 6mm Hex Bolts, (4) 6mm Flat Washers and (2) 6mm Nylon Lock Nuts, **(Figure 12)**. Check for level then fully tighten all hardware.
10. Move to the passenger side of the vehicle. Remove tape covering front, center and rear locations. Repeat **Steps 2—9** for Passenger/right Sidebar installation. **NOTE:** Refer to the illustration on **Page 1** to identify the correct Mounting Bracket for each of the remaining locations.
11. Do periodic inspections to the installation to make sure that all hardware is secure and tight.

**To protect your investment**, wax this product after installing. Regular waxing is recommended to add a protective layer over the finish. Do not use any type of polish or wax that may contain abrasives that could damage the finish. Mild soap may be used to clean the Sidebars.

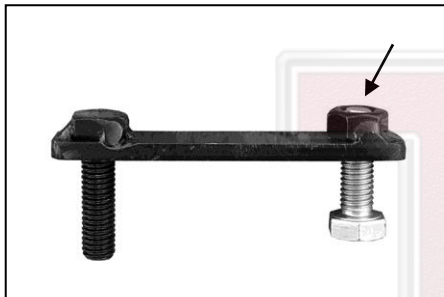
### Driver Side Installation Pictured



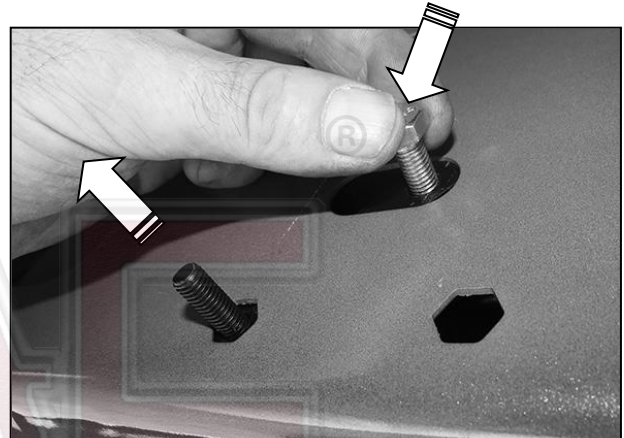
(Fig 1) Driver side front mounting location (No factory holes in pinch weld 2009-2012 models)



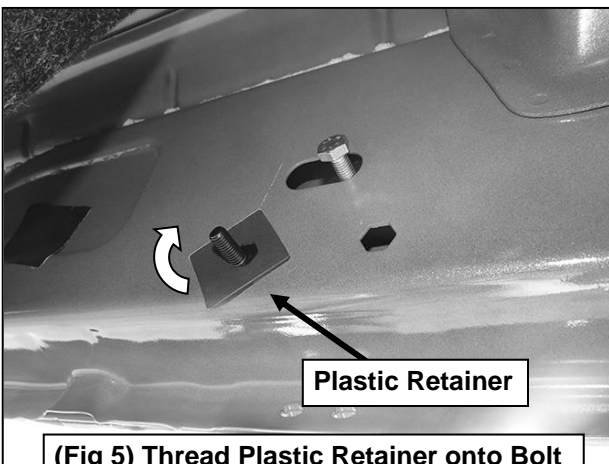
(Fig 2) 8mm Bolt-8mm Nut Plate, NOTE: 8mm Bolt-Nut Plate is not required on models with threaded inserts



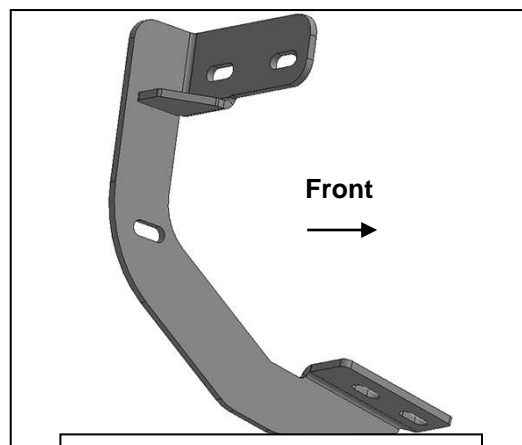
(Fig 3) Thread (1) 8mm Hex Bolt into the nut on the plate. Stop when bolt reaches end of nut as pictured



(Fig 4) Use the loose Hex Bolt as a handle. Insert the Bolt Plate into the oval hole and feed the threaded end out either factory hex shaped hole. IMPORTANT: Do not let go of the hex bolt until after Plastic Retainer has been threaded onto bolt (Fig 5)



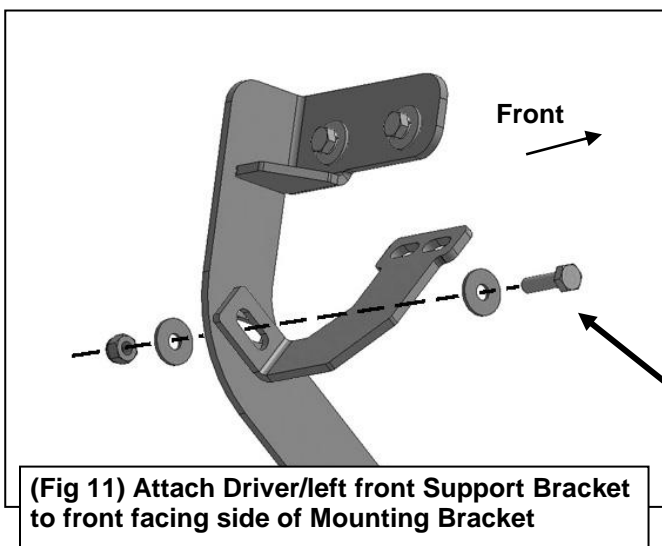
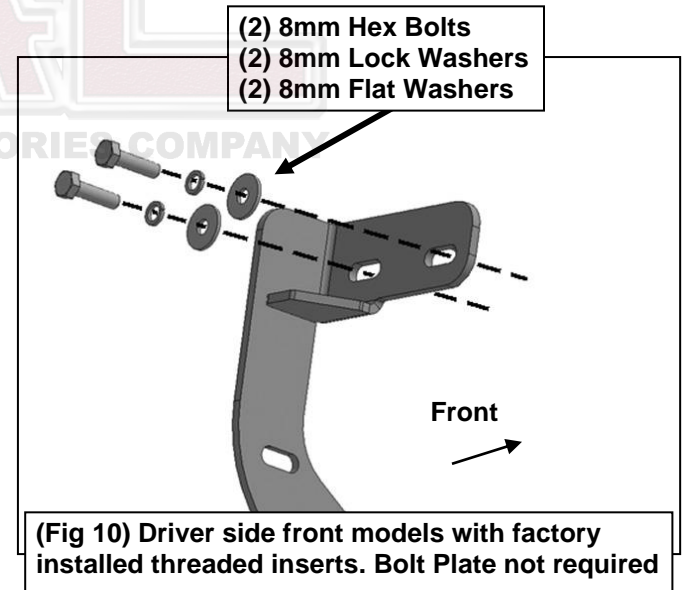
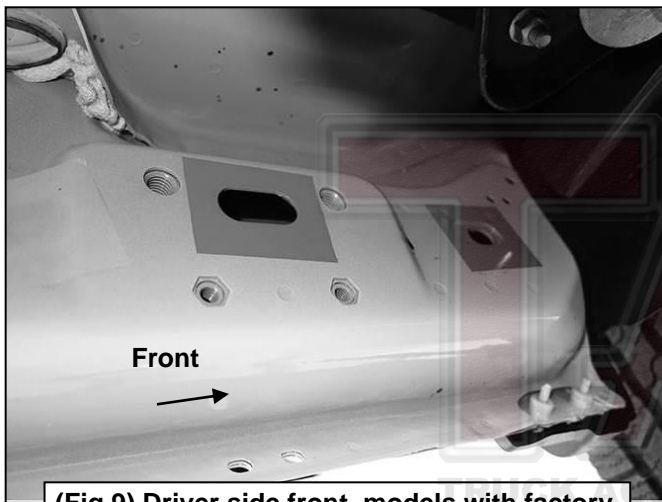
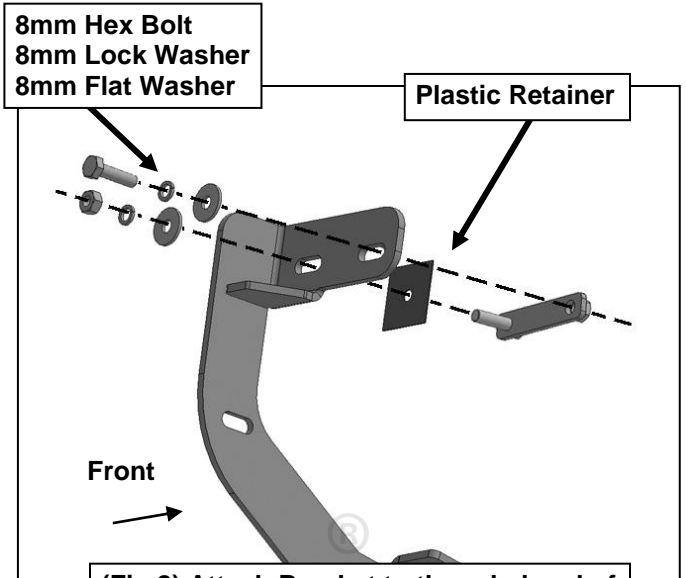
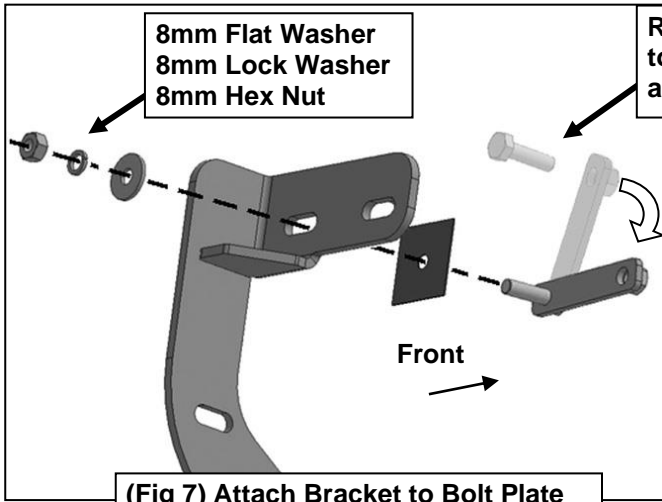
(Fig 5) Thread Plastic Retainer onto Bolt Plate to hold Bolt Plate in position.



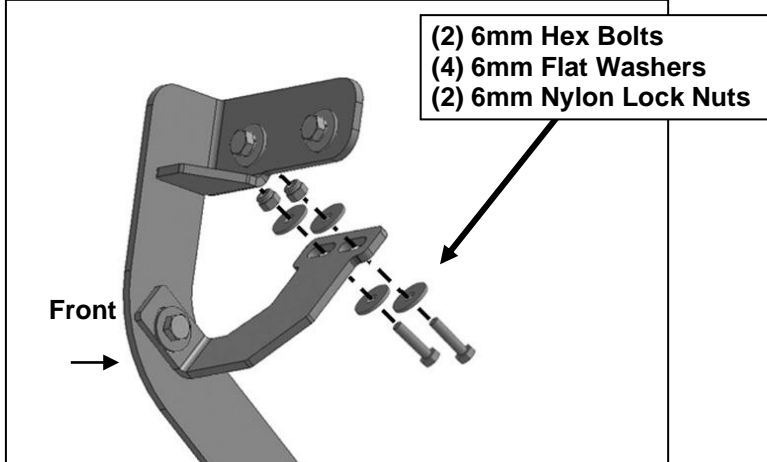
(Fig 6) Driver side front Bracket



### Driver Side Installation Pictured

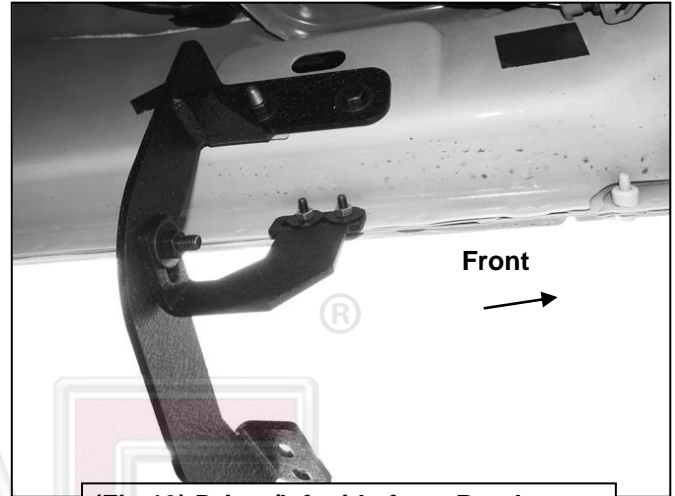


### Driver Side Installation Pictured

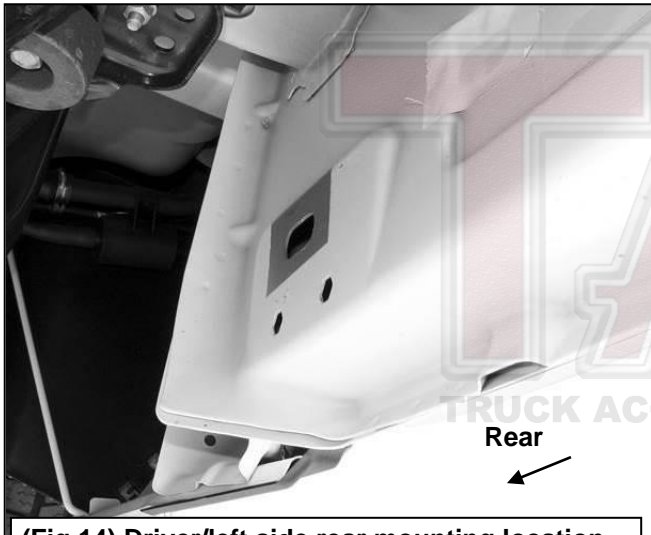


(Fig 12) Attach Support Bracket to back of pinch weld (models with factory holes in pinch weld only)

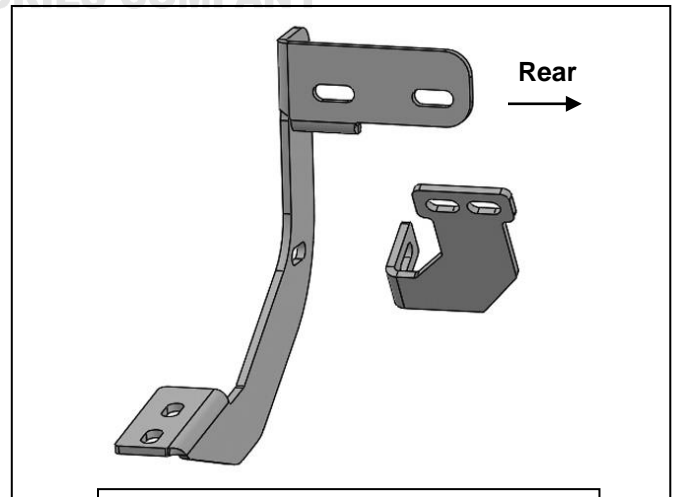
**IMPORTANT: 2009-2012 models without holes in pinch weld will require drilling 1/4" holes through pinch weld to attach Support Brackets. Do complete installation of Sidebars first and level Sidebars before drilling holes for Support Brackets.**



(Fig 13) Driver/left side front Brackets attached to body panel and pinch weld



(Fig 14) Driver/left side rear mounting location

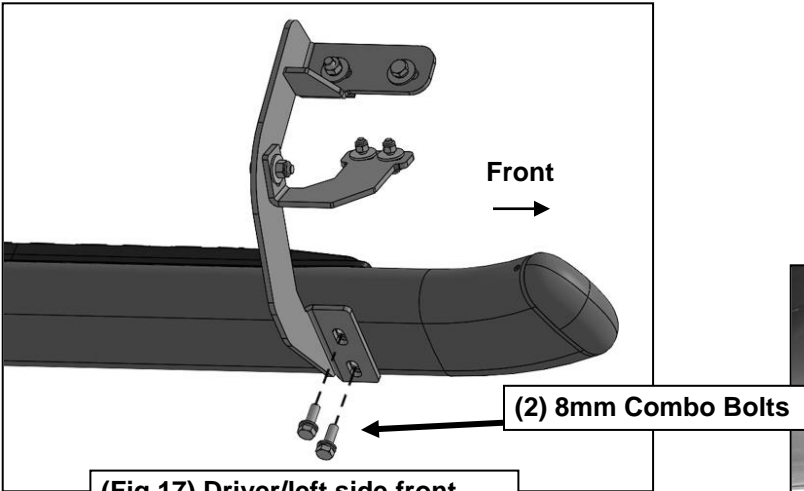


(Fig 15) Driver/left side Rear Brackets

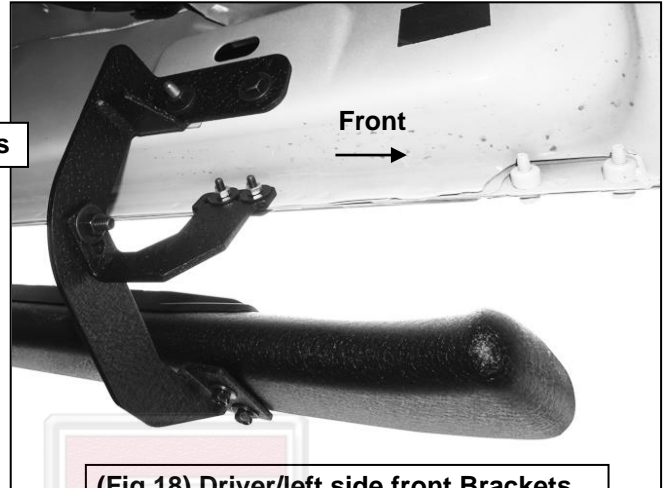


(Fig 16) Driver/left side rear Brackets attached to body panel and pinch weld

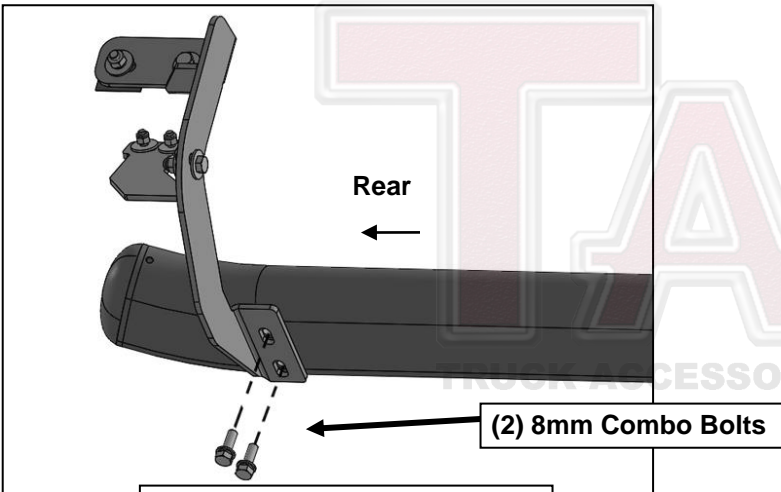
### Driver Side Installation Pictured



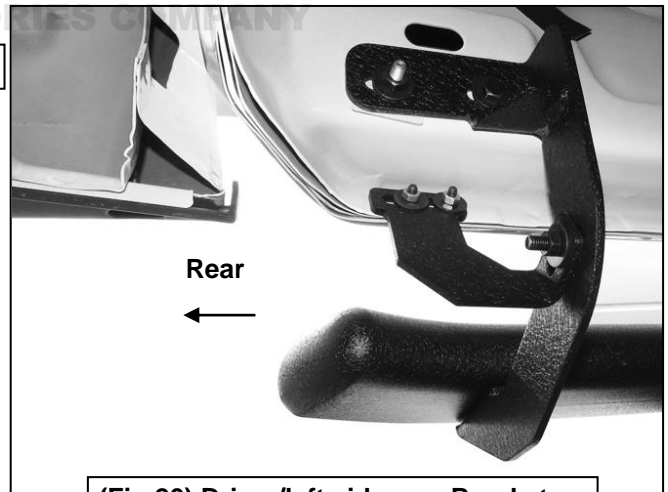
(Fig 17) Driver/left side front Brackets attached to Sidebar



(Fig 18) Driver/left side front Brackets attached to Sidebar pictured



(Fig 19) Driver/left side rear Brackets attached to Sidebar



(Fig 20) Driver/left side rear Brackets attached to sidebar pictured



Complete Installation