



# **INSTALLATION INSTRUCTIONS**

**PNC SIDEBAR**

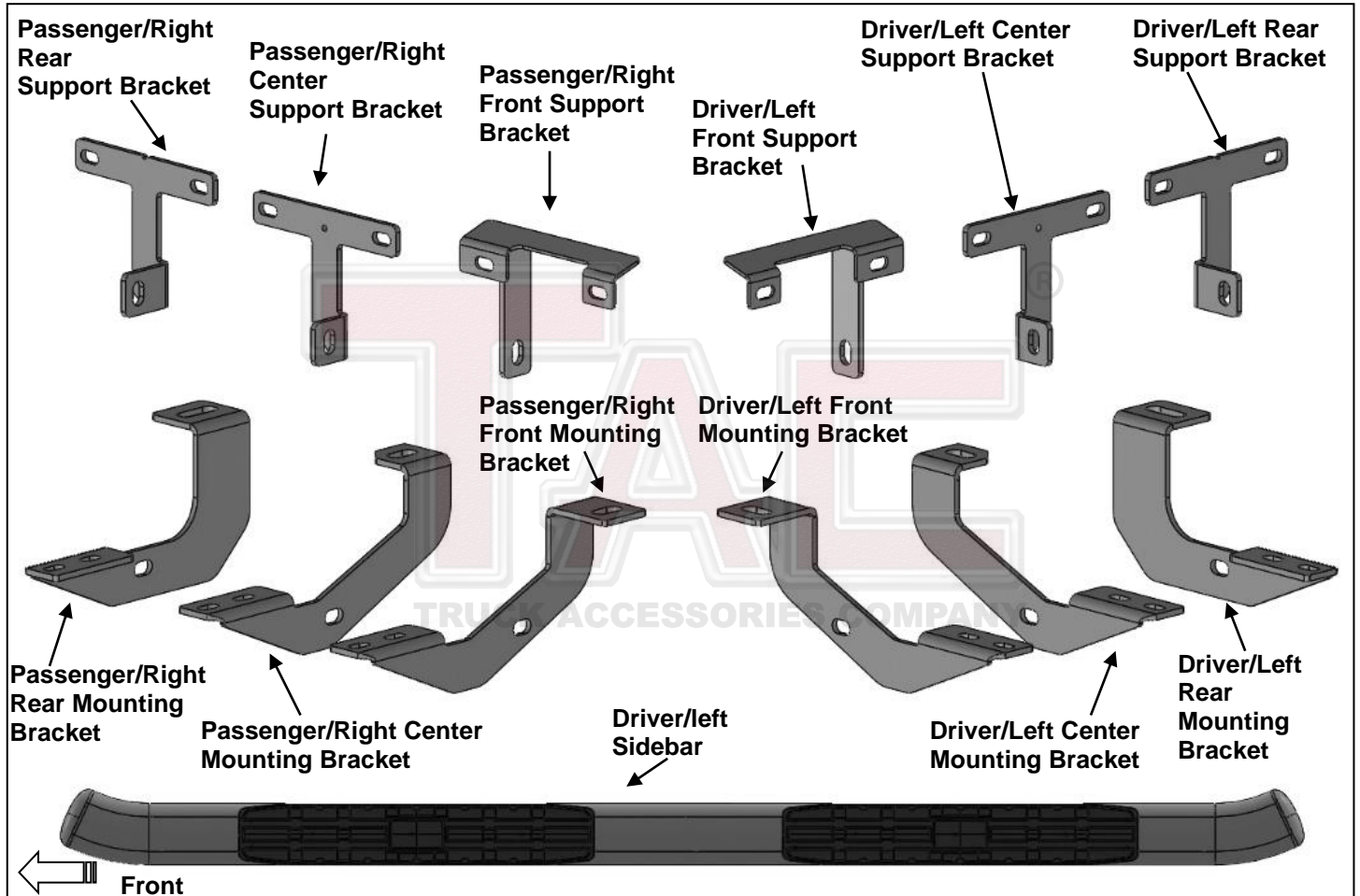
**2020-2024 JEEP GLADIATOR JT**

**PART# 40-22500T**

**TRUCK ACCESSORIES COMPANY**

**Parts List:**

1	Driver/Left PNC Sidebar	1	Driver/Left Rear Support Bracket
1	Passenger/Right PNC Sidebar	1	Passenger/Right Rear Support Bracket
1	Driver/Left Front Mounting Bracket	6	10-1.5mm x 30mm Hex Bolts
1	Passenger/Right Front Mounting Bracket	12	10mm x 24mm x 2mm Flat Washers
1	Driver/Left Center Mounting Bracket	6	10-1.5mm Nylon Lock Nuts
1	Passenger/Right Center Mounting Bracket	12	8-1.25mm Combo Bolts
1	Driver/Left Rear Mounting Bracket	6	8-1.25mm x 35mm Hex Bolts
1	Passenger/Right Rear Mounting Bracket	6	8mm Lock Washers
1	Driver/Left Front Support Bracket	6	8mm x 28mm x 3mm Flat Washers
1	Passenger/Right Front Support Bracket	12	6-1.0mm x 25mm Hex Bolts
1	Driver/Left Center Support Bracket	24	6mm x 22mm x 2mm Flat Washers
1	Passenger/Right Center Support Bracket	12	6-1.0mm Nylon Lock Nuts



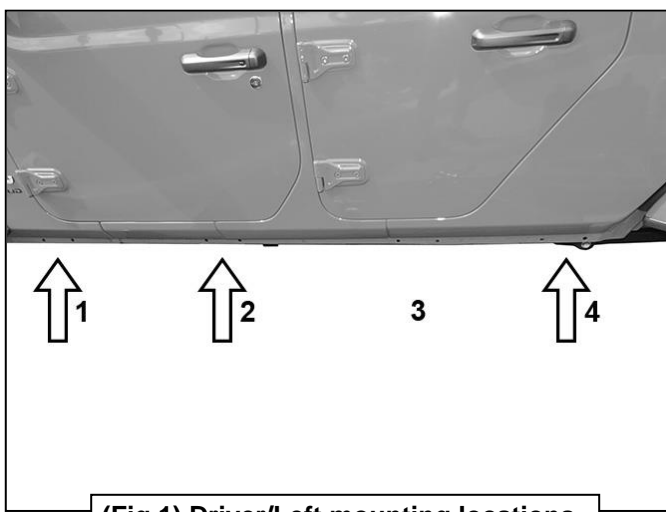
**PROCEDURE:**

1. REMOVE CONTENTS FROM BOX. VERIFY ALL PARTS ARE PRESENT. READ INSTRUCTIONS CAREFULLY BEFORE STARTING INSTALLATION. SIDE STEPS OR RUNNING BOARDS MUST BE REMOVED BEFORE INSTALLATION.
2. Start installation on the Driver/Left front of the of the vehicle. Find the front threaded insert located in between the first pair of holes along the pinch weld, **(Figure 2)**. Installation will use the 1st, 2nd and 4th mounting locations, **(Figure 1)**.
3. Select the Driver/Left Front Mounting Bracket, **(Figure 3)**. **IMPORTANT:** Use the illustration above and **Figure 2** to properly identify the Mounting Bracket. Attach the Mounting Bracket to the threaded insert using (1) 8mm x 35mm Hex Bolt, (1) 8mm Lock Washer and (1) 8mm Flat Washer, **(Figures 4 & 5)**. Do not tighten hardware.

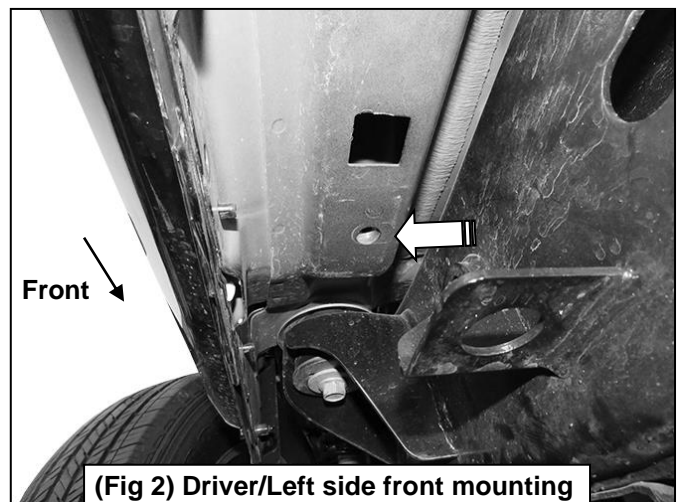
4. Select the Driver/Left Front Support Bracket. **IMPORTANT:** Use the illustration above to help identify the correct Support Bracket. Attach the Support Bracket to the pinch weld using (2) 6mm Hex Bolts, (4) 6 mm Flat Washers and (2) 6mm Nylon Lock Nuts, (**Figure 6**). **NOTE: Insert bolts from the outside of the pinch weld and through the Bracket.** Attach the Support Bracket to the Mounting Bracket with (1) 10mm Hex Bolt, (2) 10mm Flat Washers and (1) 10mm Nylon Lock Nut, (**Figures 7 & 8**). Do not tighten hardware.
5. Move to the 2nd mounting location and locate the threaded insert and pair of holes in the pinch weld, (**Figure 9**). Repeat **Steps 3 & 4** to install the Driver/Left Center Mounting and Support Brackets, (**Figures 3, 10—12**). **NOTE:** The Center and Rear Mounting Brackets look similar but each one is unique. The Center Support Bracket has a hole in the top and a notch on the bottom. The Rear Support Bracket has a notch at the top, (**Figure 11**). Do not tighten hardware.
6. Move to the last mounting location on the rocker panel and locate the threaded insert and pair of holes in the pinch weld, (**Figure 13**). Repeat **Steps 3 & 4** to install the Driver/Left Rear Mounting and Support Brackets, (**Figures 3, 11 & 14**). Do not tighten hardware.
7. Select the Driver/Left Sidebar. Use the illustration above to select the correct Sidebar. Carefully position the Sidebar onto the (3) Mounting Brackets. **IMPORTANT:** Do not slide, (front to back or rotate), the Sidebar on the Brackets or damage to the finish on the Sidebar may result. Attach the Sidebar to the Mounting Brackets with (6) 8mm x 25mm Combo Bolts, (**Figures 15—18**). Do not tighten hardware.
8. Level and adjust the Sidebar and tighten all hardware.
9. Repeat **Steps 1—8** for Passenger/Right Sidebar installation.
10. Do periodic inspections to the installation to make sure that all hardware is secure and tight.

**To protect your investment,** Do not use any type of polish or wax that may contain abrasives that could damage the finish. Mild soap may be used to clean Sidebar.

### Driver/Left Side Installation Pictured



(Fig 1) Driver/Left mounting locations



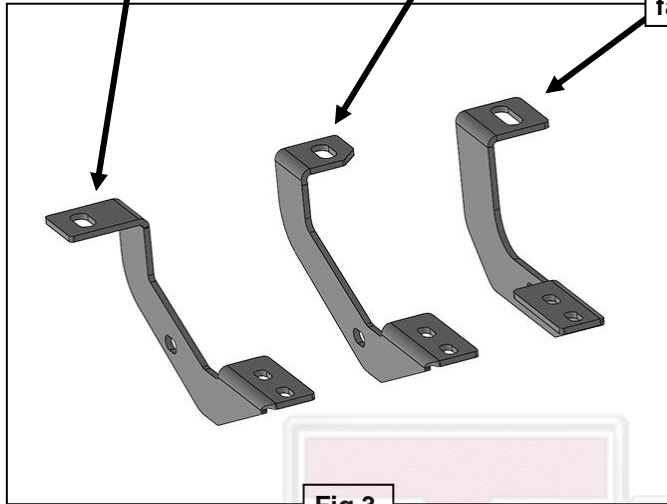
(Fig 2) Driver/Left side front mounting location with threaded insert

### Driver/Left Side Installation Pictured

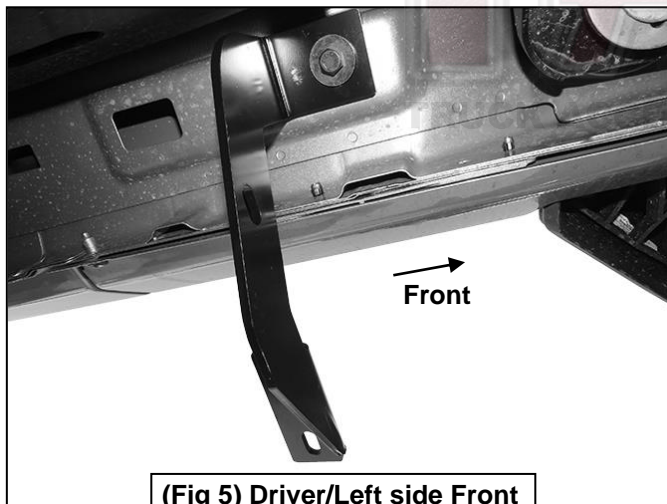
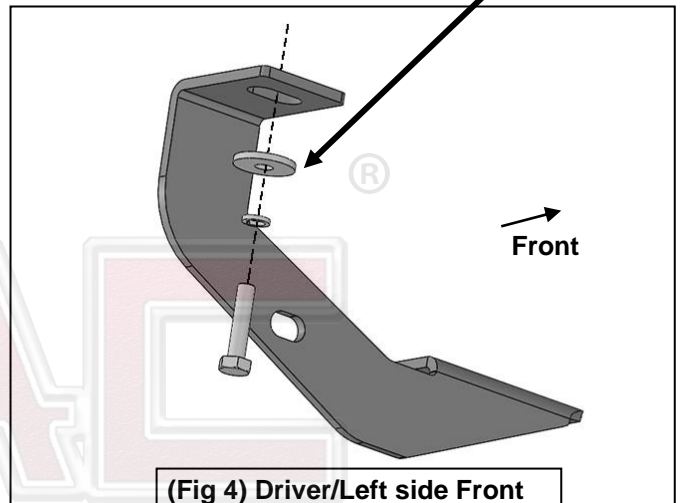
Driver/Left Front Mounting Bracket has a tab that faces forward

Driver/Left Center Mounting Bracket has a tab that faces backward and a notch

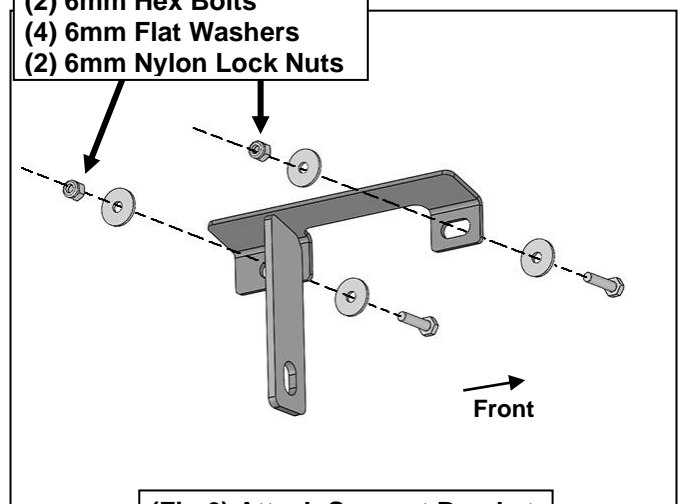
Driver/Left Rear Mounting Bracket has a tab that faces backward



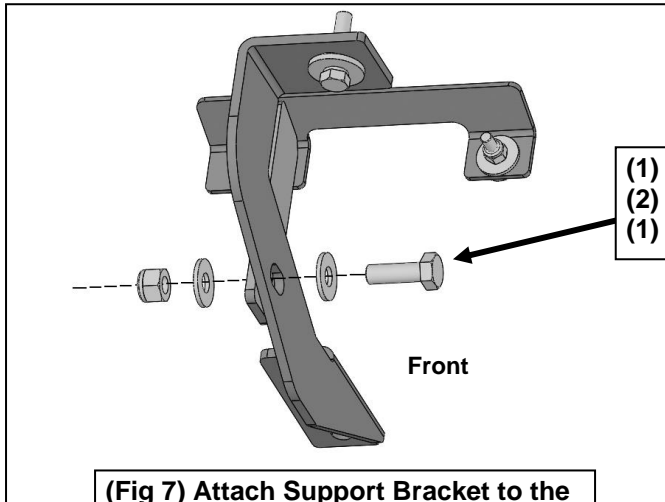
(1) 8mm Hex Bolt  
(1) 8mm Lock Washer  
(1) 8mm Flat Washer



(2) 6mm Hex Bolts  
(4) 6mm Flat Washers  
(2) 6mm Nylon Lock Nuts

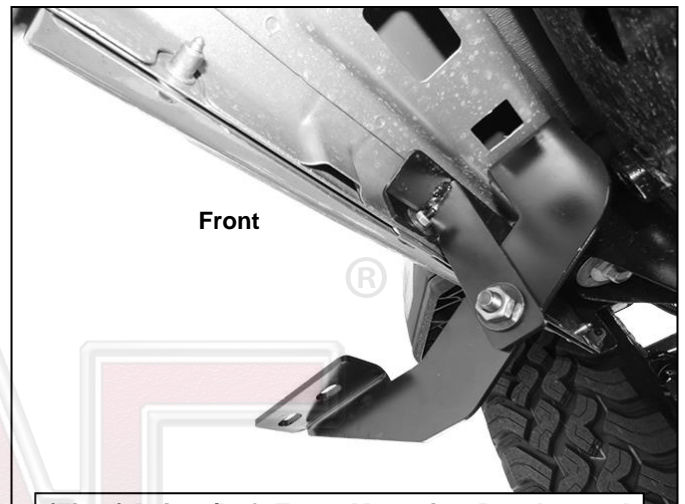


### Driver/Left Side Installation Pictured

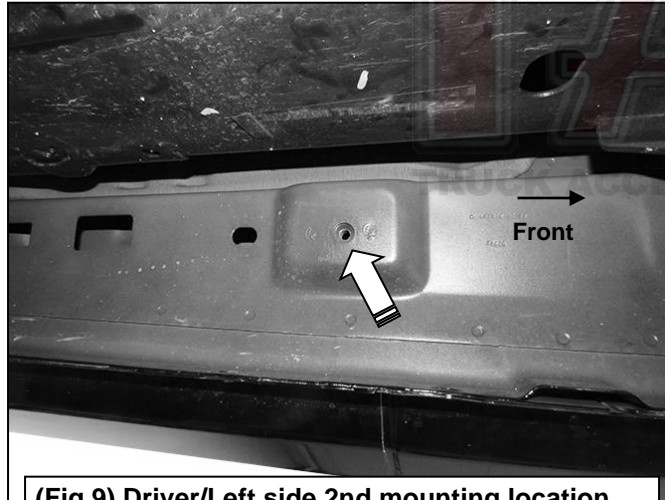


- (1) 10mm Hex Bolt
- (2) 10mm Flat Washers
- (1) 10mm Nylon Lock Nut

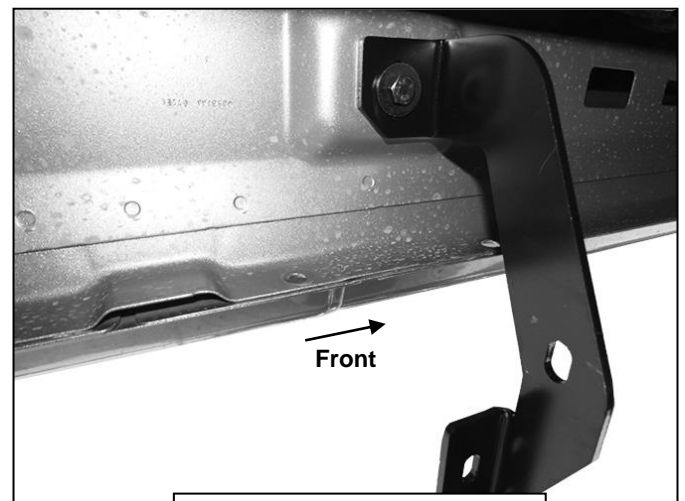
(Fig 7) Attach Support Bracket to the rear face of the mounting bracket



(Fig 8) Driver/Left Front Mounting Bracket and Support Bracket attached to front location

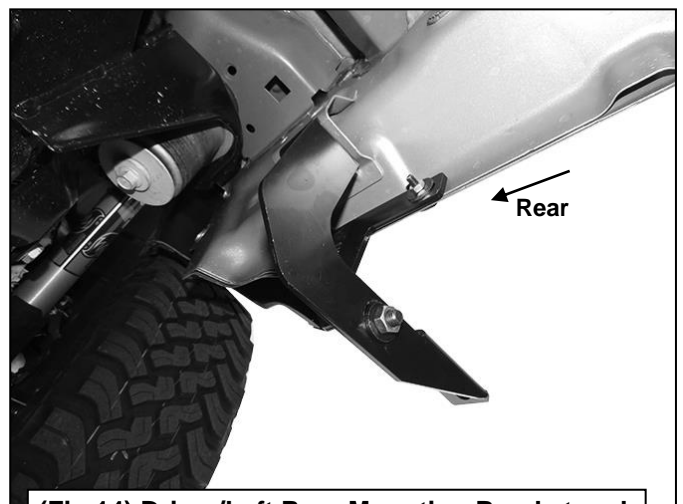
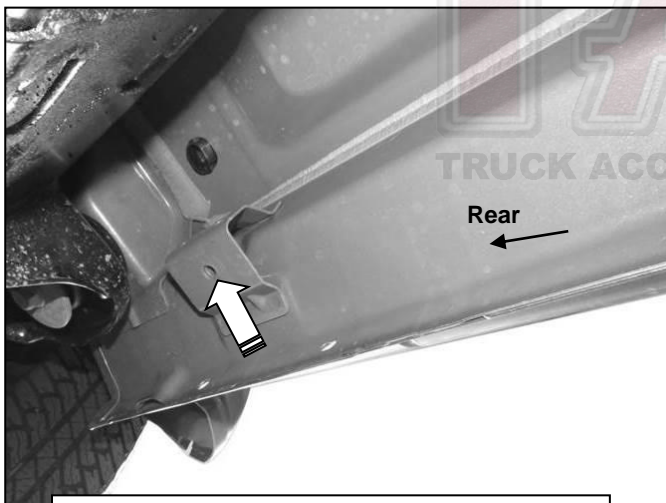
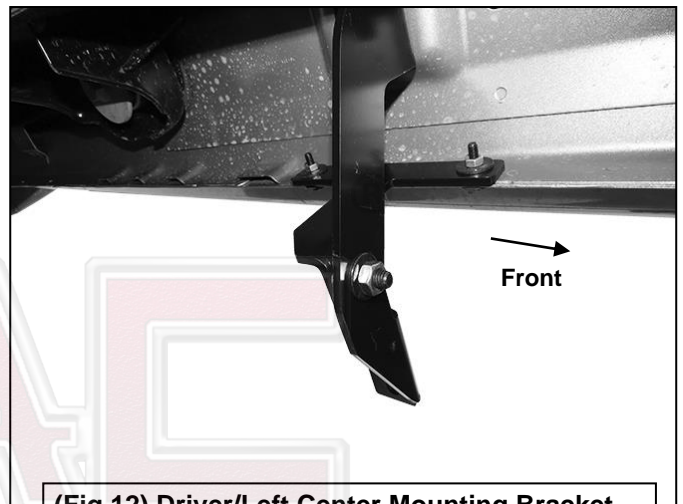
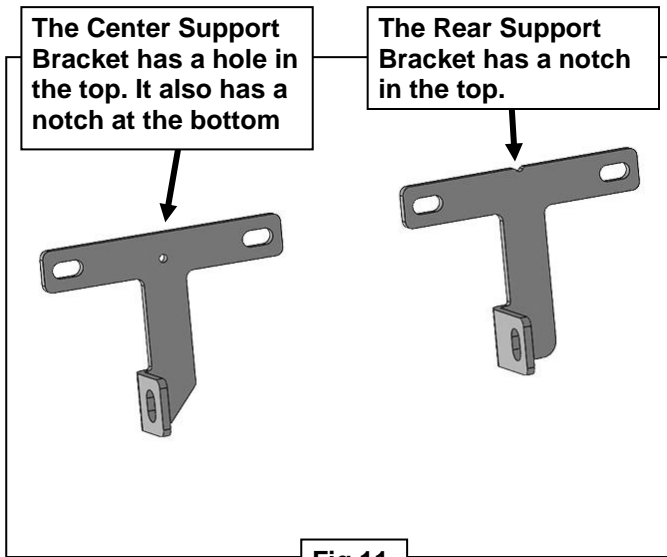


(Fig 9) Driver/Left side 2nd mounting location

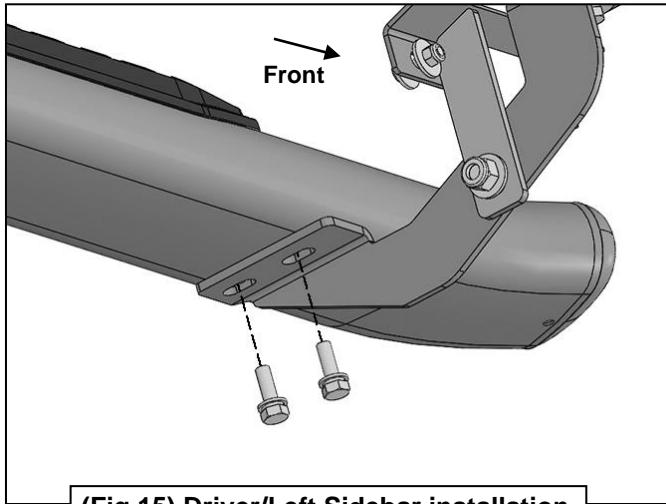


(Fig 10) Driver/Left Center Mounting Bracket attached

### Driver/Left Side Installation Pictured



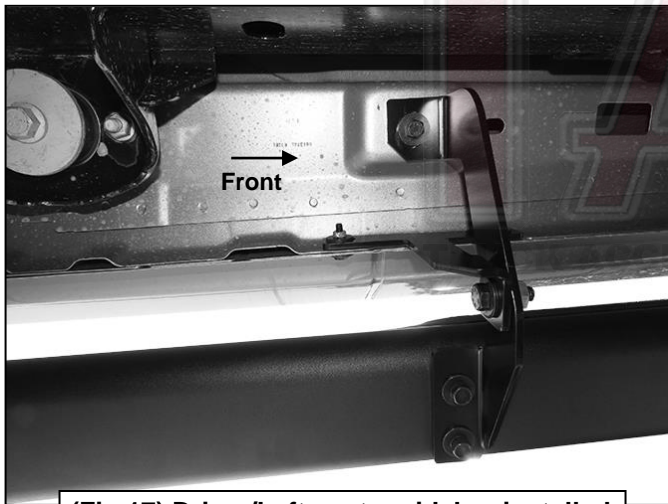
### Driver/Left Side Installation Pictured



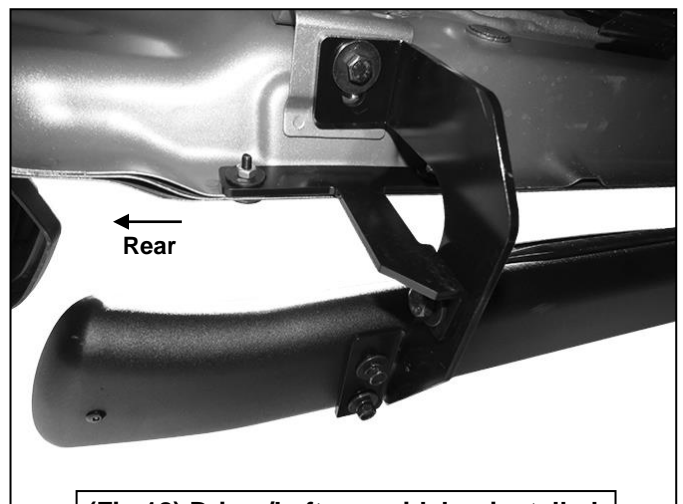
(Fig 15) Driver/Left Sidebar installation  
(Driver/Left front shown)



(Fig 16) Driver/Left front sidebar installed



(Fig 17) Driver/Left center sidebar installed



(Fig 18) Driver/Left rear sidebar installed