



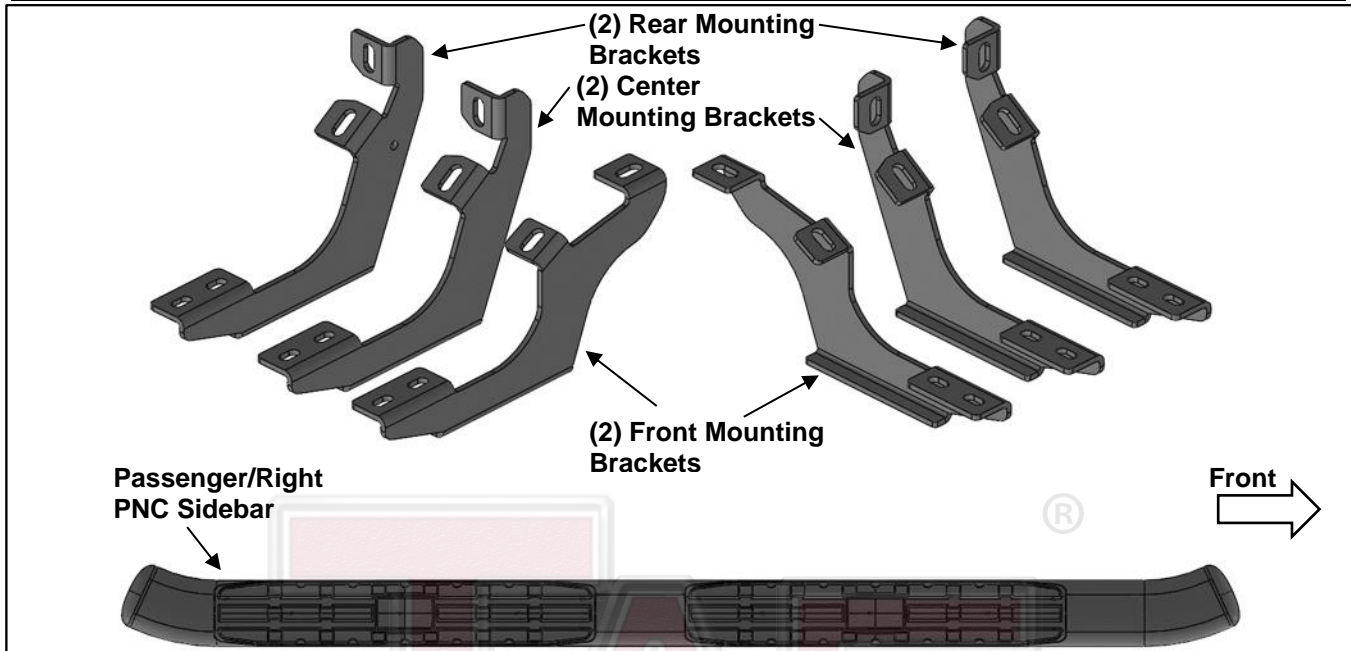
INSTALLATION INSTRUCTIONS

**4INCH SIDEBARS
2021-2024 FORD BRONCO 4DR
PART# 40-15020T**

TRUCK ACCESSORIES COMPANY

PARTS LIST:

1	Driver/Left PNC Sidebar	12	10mm x 30mm Hex Bolts
1	Passenger/Right PNC Sidebar	12	10mm Lock Washers
2	Front Mounting Brackets	12	10mm x 27mm OD x 3mm Flat Washers
2	Center Mounting Brackets	12	8mm x 25mm Combo Bolts
2	Rear Mounting Brackets		



PROCEDURE:

- 1. REMOVE CONTENTS FROM BOX. VERIFY ALL PARTS ARE PRESENT. READ INSTRUCTIONS CAREFULLY BEFORE STARTING INSTALLATION.**
- Starting from underneath the Passenger/Right body panel, locate the front mounting location and the threaded holes in the body panel, **(Figure 1)**. Remove the plastic plugs covering the holes.
- Select the Passenger/Right Front Mounting Bracket. Attach the Mounting Bracket to the front location with (2) 10mm Hex Bolts, (2) 10mm Lock Washers and (2) 10mm Flat Washers, **(Figure 2)**. Do not tighten hardware.
- Repeat **Steps 2 & 4** to attach the Center Mounting Bracket and Rear Mounting Bracket to the center and rear locations, **(Figures 3—6)**. Do not tighten hardware. **Note:** The Rear Mounting Brackets have a small hole in the back, **(Figure 4)**.
- Select the Passenger/Right PNC Sidebar. Place the Sidebar onto the cradles of the Mounting Brackets. **IMPORTANT:** Do not rotate or slide the Sidebar front to back or damage to the finish may result. Attach the Sidebar to the Mounting Brackets with (6) 8mm Combo Bolts, **(Figure 7)**. Do not tighten hardware.
- Level and adjust the PNC Sidebar and tighten all hardware.
- Repeat **Steps 2—6** to attach the Driver/Left PNC Sidebar.
- Do periodic inspections to the installation to make sure that all hardware is secure and tight.

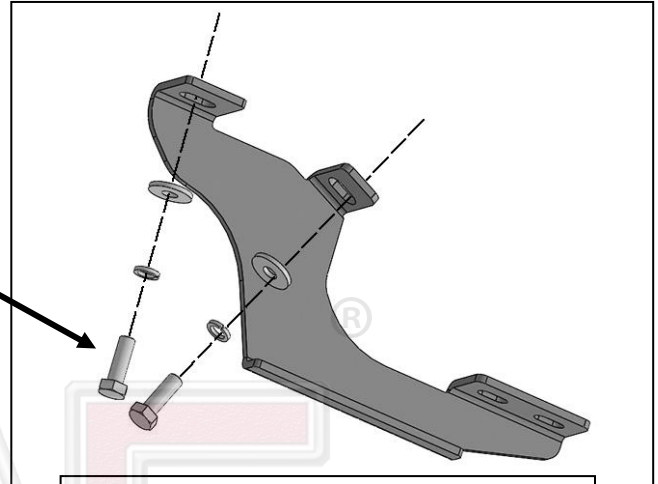
To protect your investment, Do not use any type of polish or wax that may contain abrasives that could damage the finish. Mild soap may be used to clean the Sidebars.

Passenger/Right side Installation Pictured

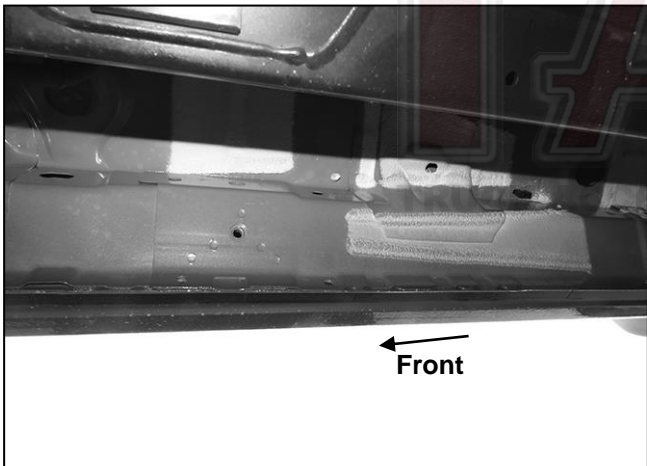


(Fig 1) Passenger/Right front mounting location

- (2) 10mm Hex Bolts
- (2) 10mm Lock Washers
- (2) 10mm Flat Washers

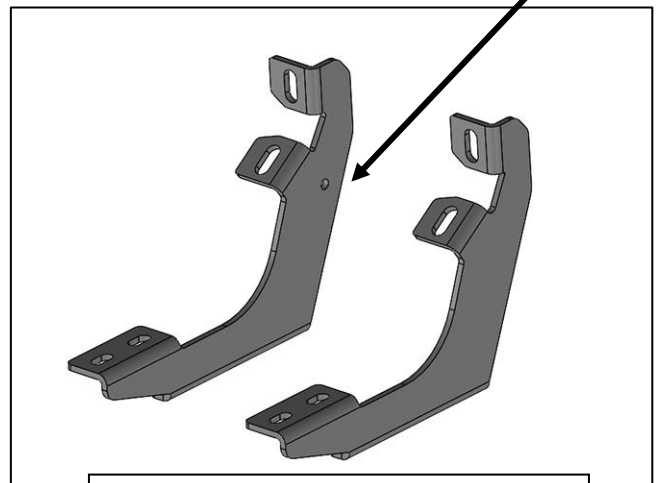


(Fig 2) Attach the Passenger/Right Front Mounting Bracket to the front location



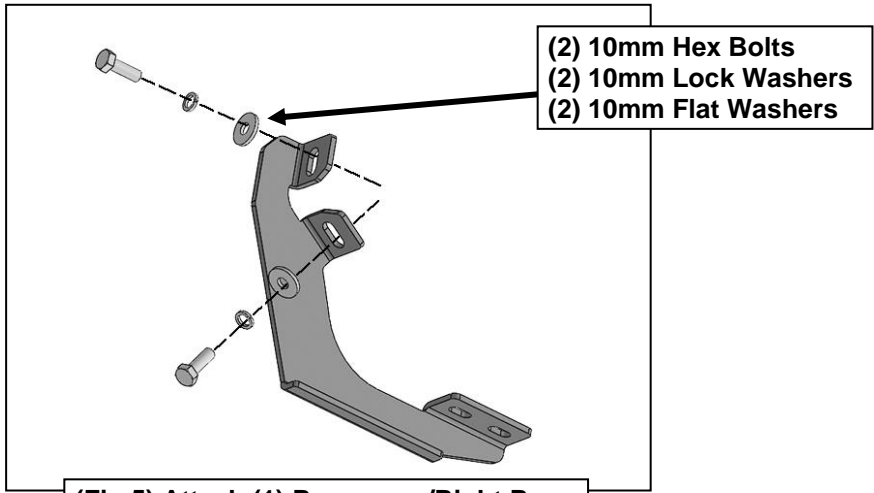
(Fig 3) Passenger/Right center mounting location

The Rear Mounting Brackets have a small hole in the back

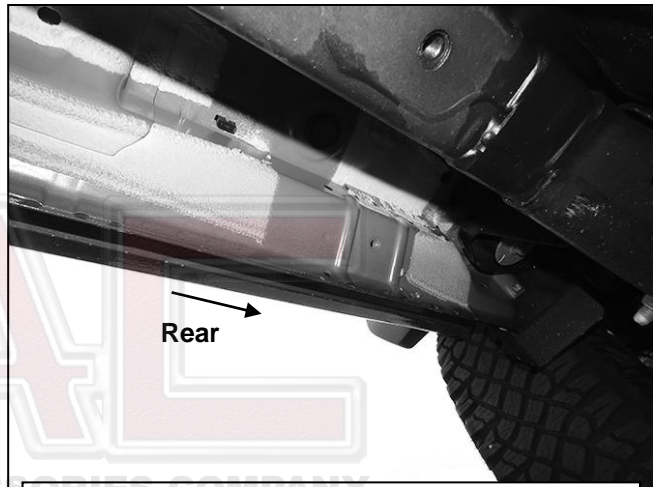


(Fig 4) The Center and Rear Mounting Brackets are similar yet unique

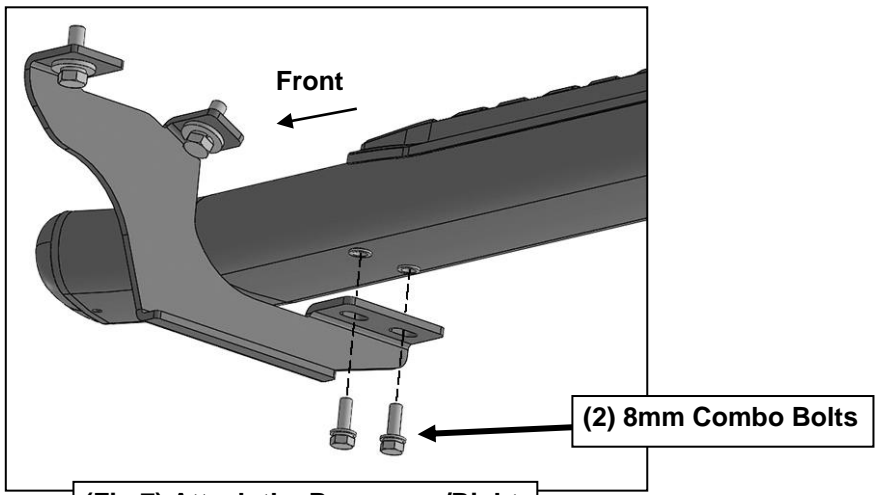
Passenger/Right side Installation Pictured



(Fig 5) Attach (1) Passenger/Right Rear Mounting Bracket to the center location



(Fig 6) Passenger/Right rear mounting location



(Fig 7) Attach the Passenger/Right Sidebar to the Mounting Brackets