



# **INSTALLATION INSTRUCTIONS**

**3INCH SIDEBAR**

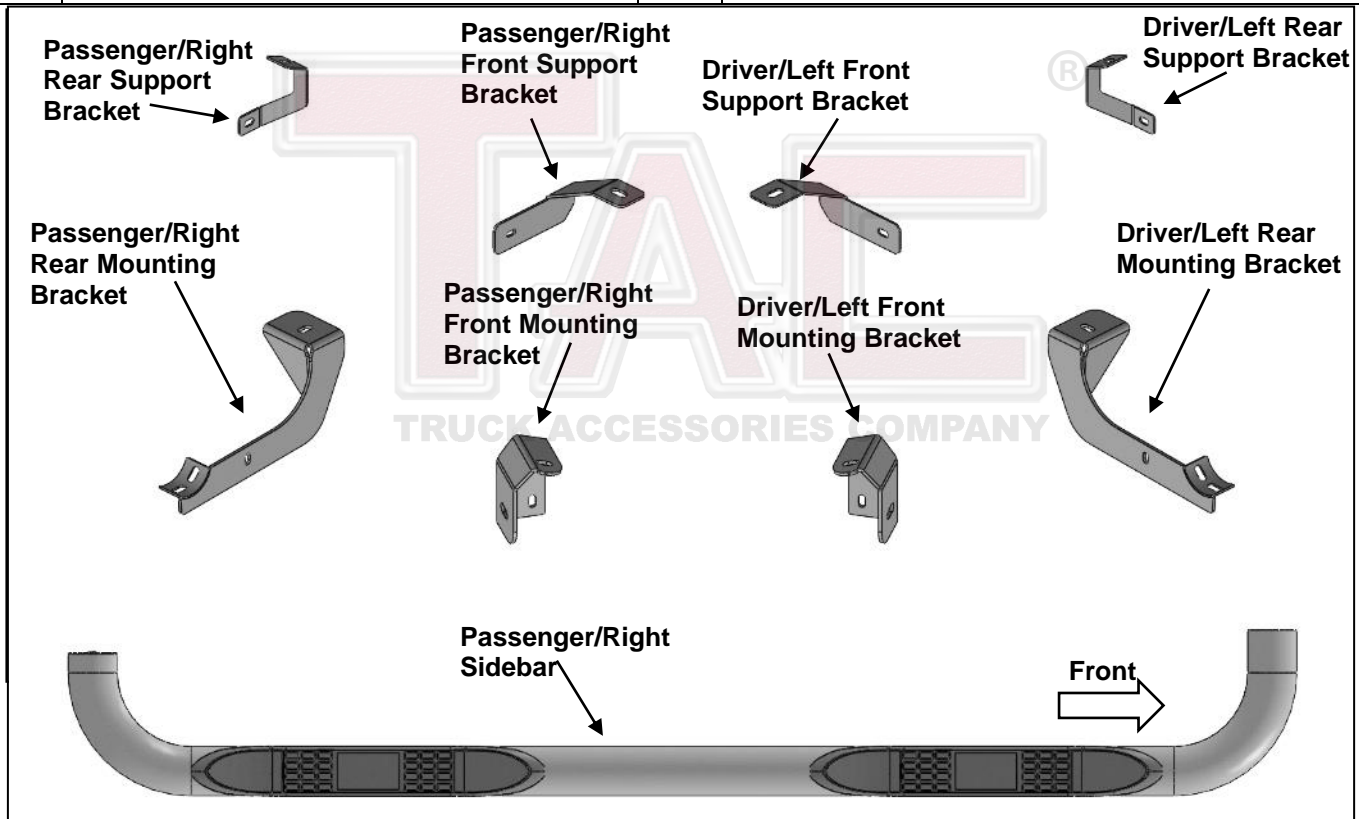
**2020-2023 TOYOTA HIGHLANDER (EXL. HYBRID)**

**PART# 3S-T126T**

**TRUCK ACCESSORIES COMPANY**

**PARTS LIST:**

1	Driver/Left Sidebar	2	12mm Lock Washers
1	Passenger/Right Sidebar	2	12-1.75mm Hex Nuts
1	Driver/Left Front Mounting Bracket	4	10mm Block Bolts
1	Passenger/Right Front Mounting Bracket	4	10-1.5mm x 40mm Bolt Plates
1	Driver/Left Rear Mounting Bracket	2	10mm x 34mm OD x 3mm Flat Washers
1	Passenger/Right Rear Mounting Bracket	2	10mm x 27mm OD x 3mm Flat Washers
1	Driver/Left Front Support Bracket	2	10mm x 20mm OD x 2mm Flat Washers
1	Passenger/Right Front Support Bracket	6	10mm Lock Washers
1	Driver/Left Rear Support Bracket	6	10mm Hex Nuts
1	Passenger/Right Rear Support Bracket	4	8-1.25mm x 25mm Hex Bolts
2	1/2" x 2" Hex Bolts	4	8-1.25mm x 25mm Combo Bolts
2	1/2" Lock Washers	8	8mm x 24mm OD x 2mm Flat Washers
2	1/2" x 1-1/2" OD x 1/8" Flat Washers	4	8mm Lock Washers
2	12-1.75mm x 45mm Bolt Plates	4	8mm Hex Nuts
2	12mm x 37mm OD x 3mm Flat Washers	1	Fish Wire



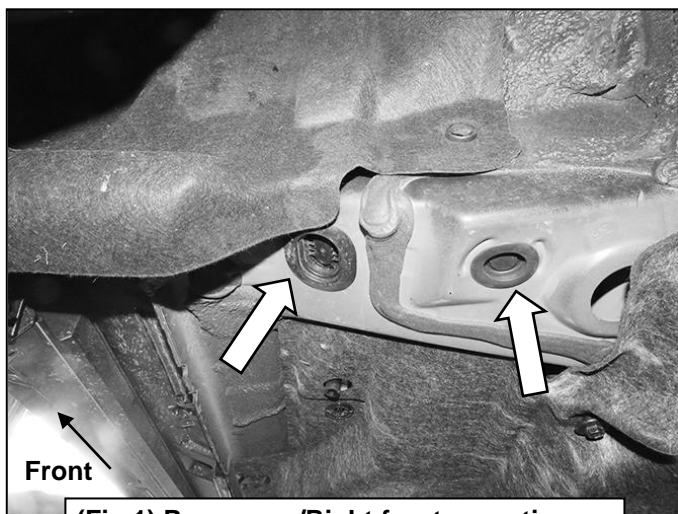
**PROCEDURE:**

- 1. REMOVE CONTENTS FROM BOX. VERIFY ALL PARTS ARE PRESENT. READ INSTRUCTIONS CAREFULLY. ASSISTANCE IS HIGHLY RECOMMENDED.**
- Starting on the Passenger/Right side of the vehicle, remove the plastic plugs from the mounting location along the floor panel, **(Figures 1 & 7)**.
- Select (1) 10mm Block Bolt. Insert the Block Bolt into the outer hole in the floor panel and rotate to sit on the edges of the hole, **(Figure 2)**.
- Select the Passenger/Right Front Mounting Bracket. Attach the Bracket to the 10mm Block Bolt with (1) 10mm Flat Washer, (1) 10mm Lock Washer and (1) 10mm Hex Nut, **(Figures 3 & 4)**. Do not tighten hardware at this time.

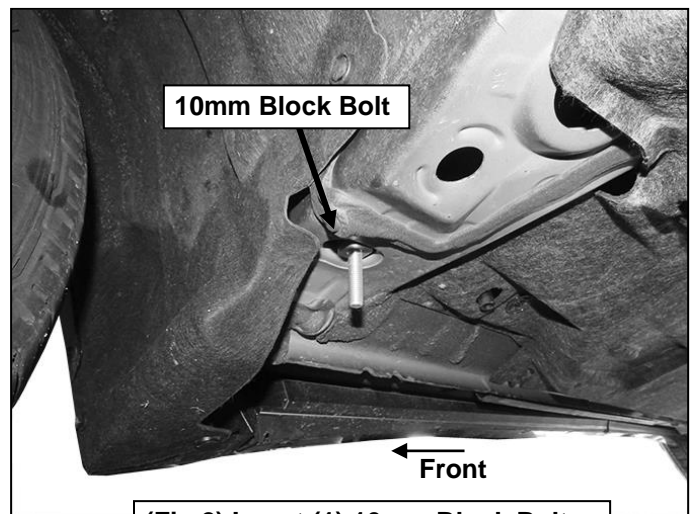
**3INCH SIDEBAR  
2020-2023 TOYOTA HIGHLANDER  
(EXL. HYBRID)**

5. Loosen the cover panel on the floor panel to reveal a large hole. Select (1) 12mm Bolt Plate. Insert the Bolt Plate into the large hole and bring the threads out of the small hole, **(Figure 4)**.
  6. Select the Passenger/Right Front Support Bracket. Attach the Support Bracket to the 12mm Bolt Plate with (1) 12mm Flat Washer, (1) 12mm Lock Washer and (1) 12mm Hex Nut, **(Figure 5)**. Attach the Support Bracket to the Mounting Bracket with (1) 8mm Hex Bolt, (2) 8mm Flat Washers, (1) 8mm Lock Washer and (1) 8mm Hex Nut, **(Figures 5 & 6)**. Do not tighten hardware at this time.
  7. **For 2021 models**, follow the steps to attach the Front Mounting Bracket. Attach the Front Support Bracket to the Mounting Bracket, **(Figure 7)**. Mark the upper slot in the Support Bracket. Temporarily remove the Brackets. Using a 12/16 inch drill bit, (not included) drill the marked location on the floor panel, **(Figure 8)**. Thread (1) 10mm Bolt Plate into the Fish Wire. Guide the end of the Fish Wire into the large hole and out the drilled hole, **(Figure 9)**. Pull the Bolt Plate through the floor panel.
  8. Move to the rear location. Repeat **Step 2** to remove the plastic plugs, **(Figure 10)**. Select (1) 10mm Bolt Plate. Insert the Bolt Plate into the outer hole on the floor panel, **(Figure 11)**.
  9. Select (1) 10mm Block Bolt. Insert the Block Bolt into the inner hole on the floor panel and rotate to sit on the edges of the hole, **(Figure 12)**.
  10. Select the Passenger/Right Rear Mounting Bracket. Attach the Bracket to the 10mm Block Bolt with (1) 10mm Flat Washer, (1) 10mm Lock Washer and (1) 10mm Hex Nut, **(Figure 13)**. Do not tighten hardware at this time.
  11. Select the Passenger/Right Rear Support Bracket. Attach the Support Bracket to the 12mm Bolt Plate with (1) 12mm Flat Washer, (1) 12mm Lock Washer and (1) 12mm Hex Nut, **(Figure 14)**. Attach the Support Bracket to the Mounting Bracket with (1) 8mm Hex Bolt, (2) 8mm Flat Washers, (1) 8mm Lock Washer and (1) 8mm Hex Nut, **(Figures 15 & 16)**. Do not tighten hardware at this time.
  12. Select the Passenger/Right Sidebar. Carefully place Sidebar on the Rear Mounting Bracket.  
**IMPORTANT:** Do not slide or rotate Sidebar on cradle, or damage to the finish may result. Attach Sidebar to the Front Mounting Bracket with (1) 1/2inch Hex Bolt, (1) 1/2inch Lock Washer and (1) 1/2inch Flat Washer, **(Figure 17)**. Do not tighten hardware at this time.
  13. Attach the Sidebar to the Rear Mounting Bracket with (2) 8mm Combo Bolts, **(Figure 18)**. Do not tighten hardware at this time.
  14. Level and adjust the Sidebar and tighten all hardware.
  15. Repeat **Steps 1—13** to attach the Driver/Left Sidebar.
  16. Do periodic inspections to the installation to make sure that all hardware is secure and tight.
- To protect your investment**, Do not use any type of polish or wax that may contain abrasives that could damage the finish. Use only mild soap to clean the Sidebar.

**Passenger/Right Side Installation Pictured**



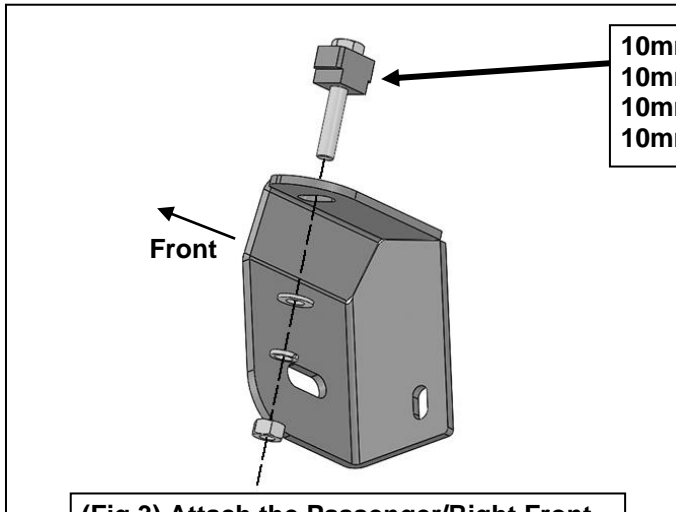
**(Fig 1) Passenger/Right front mounting location, Remove plastic plugs from holes**



**(Fig 2) Insert (1) 10mm Block Bolt into the outer hole in the floor panel**

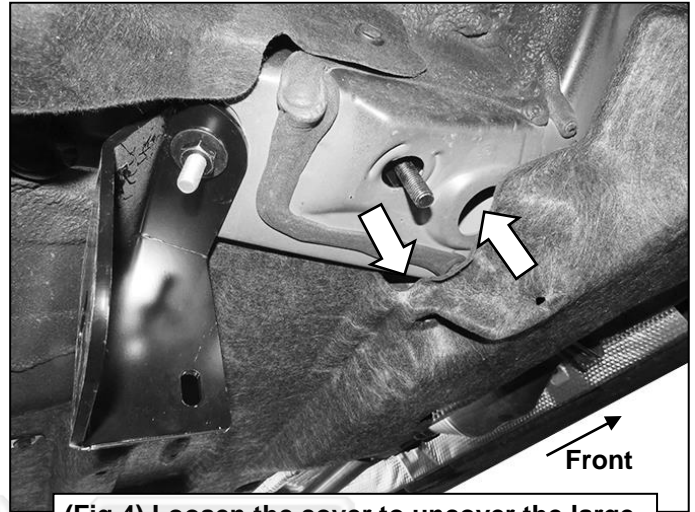


Passenger/Right Side Installation Pictured

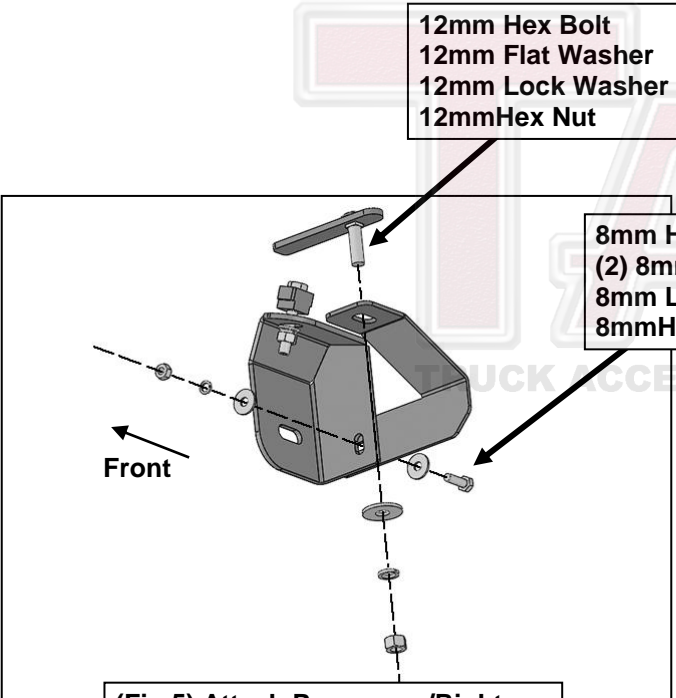


- 10mm Block Bolt
- 10mm Flat Washer
- 10mm Lock Washer
- 10mm Hex Nut

(Fig 3) Attach the Passenger/Right Front Mounting Bracket to the 10mm Block Bolt



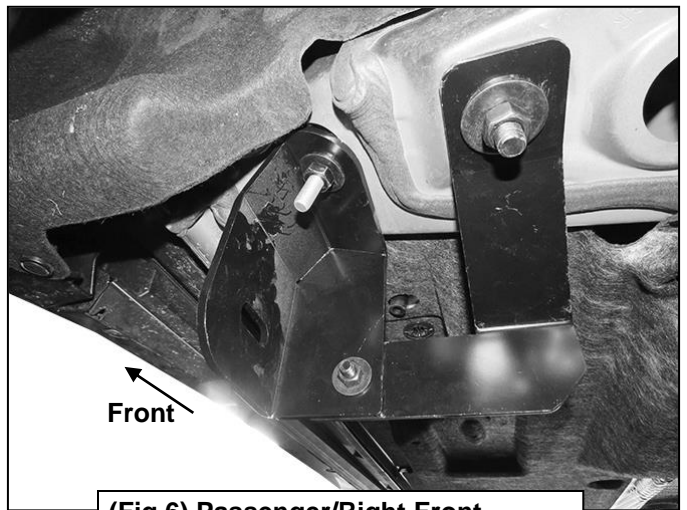
(Fig 4) Loosen the cover to uncover the large hole. Insert (1) 12mm Bolt Plate into the large hole and out through the smaller hole



- 12mm Hex Bolt
- 12mm Flat Washer
- 12mm Lock Washer
- 12mm Hex Nut

- 8mm Hex Bolt
- (2) 8mm Flat Washers
- 8mm Lock Washer
- 8mm Hex Nut

(Fig 5) Attach Passenger/Right Front Support Bracket to the Bolt Plate and the Mounting Bracket

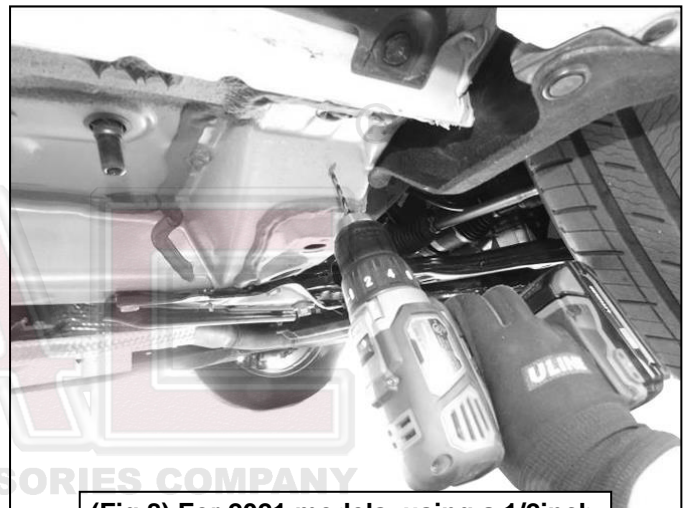


(Fig 6) Passenger/Right Front Brackets attached to the floor panel

Passenger/Right Side Installation Pictured



**(Fig 7)** For 2021 models, attach the Support Bracket to the Mounting Bracket. Mark the upper slot in the Support Bracket

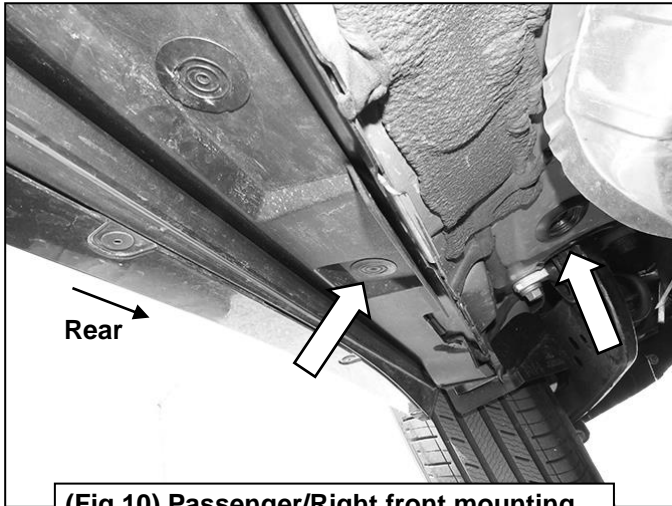


**(Fig 8)** For 2021 models, using a 1/2inch drill bit, drill the marked location



**(Fig 9)** For 2021 models, thread (1) 10mm Bolt Plate into the Fish Wire. Guide the end of the Fish Wire into the large hole and out the drilled hole. Pull the Bolt Plate through

Passenger/Right Side Installation Pictured



(Fig 10) Passenger/Right front mounting location, Remove plastic plugs from holes

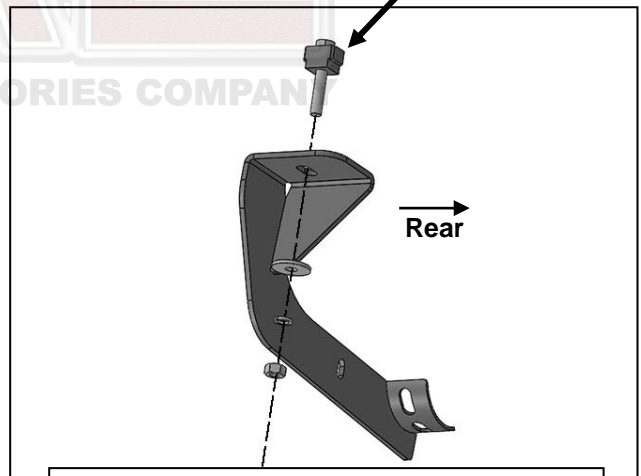


(Fig 11) Insert (1) 10mm Bolt Plate into the outer hole in the floor panel

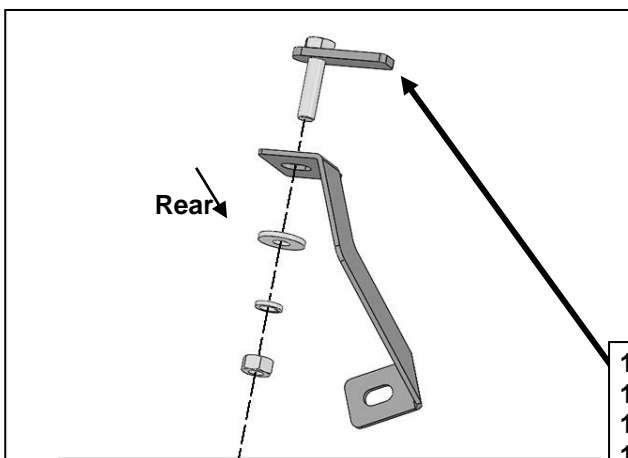


(Fig 12) Insert (1) 10mm Block Bolt into the inner hole in the floor panel

- 10mm Block Bolt
- 10mm Flat Washer
- 10mm Lock Washer
- 10mm Hex Nut



(Fig 13) Attach the Passenger/Right Rear Mounting Bracket to the 10mm Block Bolt

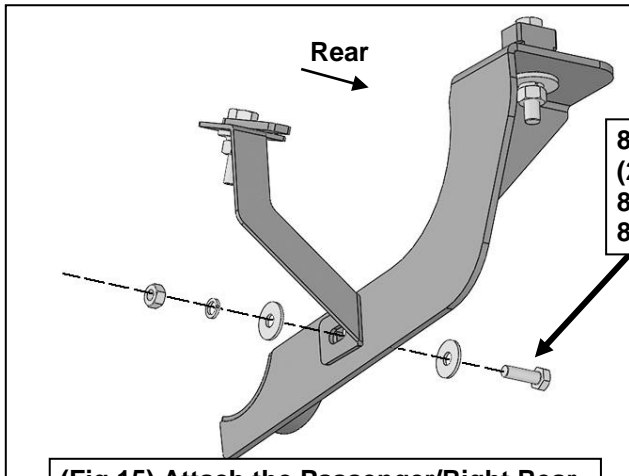


(Fig 14) Attach the Passenger/Right Rear Support Bracket to the 10mm Bolt Plate

- 12mm Bolt Plate
- 12mm Flat Washer
- 12mm Lock Washer
- 12mm Hex Nut

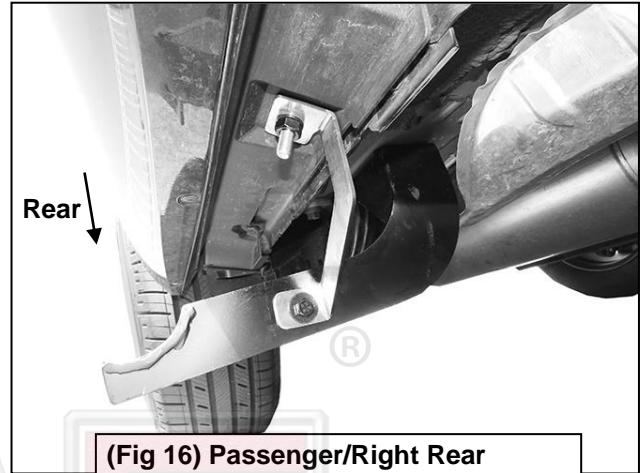


Passenger/Right Side Installation Pictured

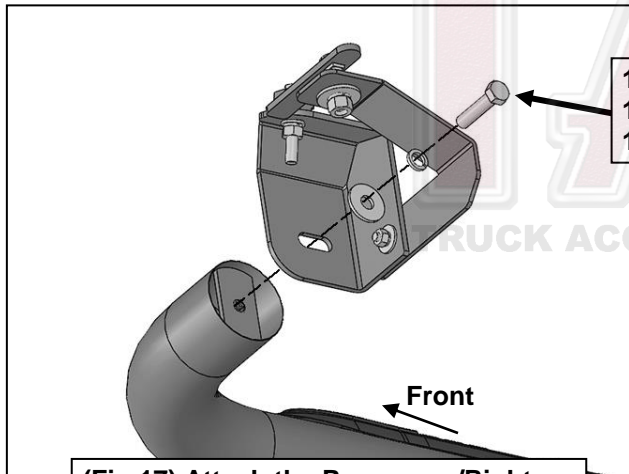


8mm Hex Bolt  
(2) 8mm Flat Washers  
8mm Lock Washer  
8mm Hex Nut

(Fig 15) Attach the Passenger/Right Rear Support Bracket to the Mounting Bracket

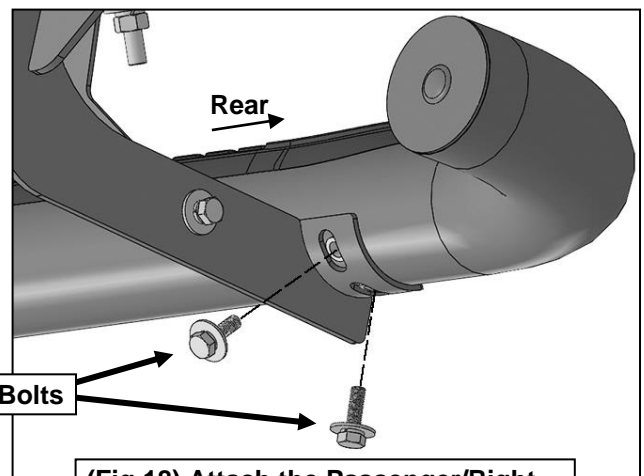


(Fig 16) Passenger/Right Rear Brackets attached to the floor panel



1/2inch Hex Bolt  
1/2inch Lock Washer  
1/2inch Flat Washer

(Fig 17) Attach the Passenger/Right Sidebar to the Front Mounting Bracket



(2) 8mm Combo Bolts

(Fig 18) Attach the Passenger/Right Sidebar to the Rear Mounting Bracket