



INSTALLATION INSTRUCTIONS

3INCH SIDBARS

2019-2024 CHEVY SILVERADO/GMC SIERRA 1500 DOUBLE CAB

2020-2024 CHEVY SILVERADO/GMC SIERRA 2500-3500 DOUBLE CAB

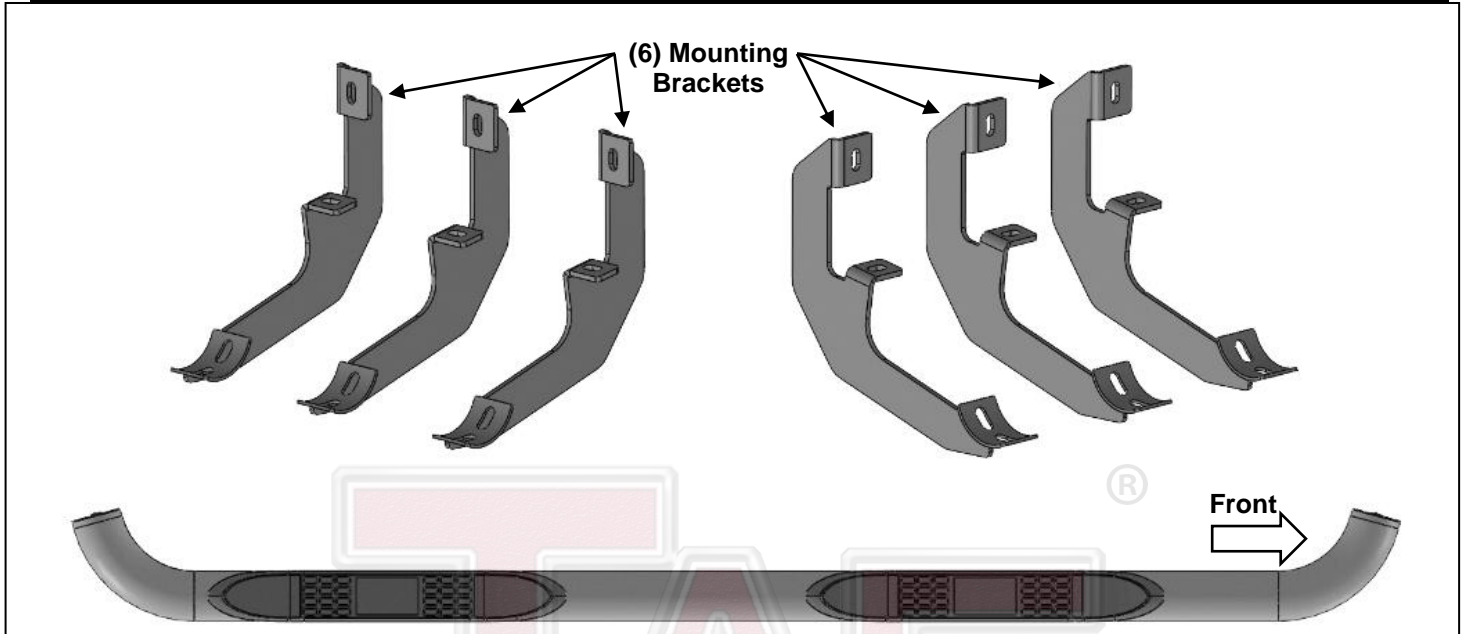
EXCLUDES SILVERADO "LD," AND SIERRA "LIMITED"

PART# 3S-19C110TN

TRUCK ACCESSORIES COMPANY

PARTS LIST:

1	Driver/Left Sidebar	12	8-1.25mm x 25mm Combo Bolts
1	Passenger/Right Sidebar	12	8mm Lock Washers
6	Mounting Brackets	12	8mm x 24mm x 2mm Flat Washers
12	8-1.25mm x 30mm Hex Bolts		



PROCEDURE:

REMOVE CONTENTS FROM BOX. VERIFY ALL PARTS ARE PRESENT. READ INSTRUCTIONS CAREFULLY BEFORE STARTING INSTALLATION. ASSISTANCE IS RECOMMENDED.

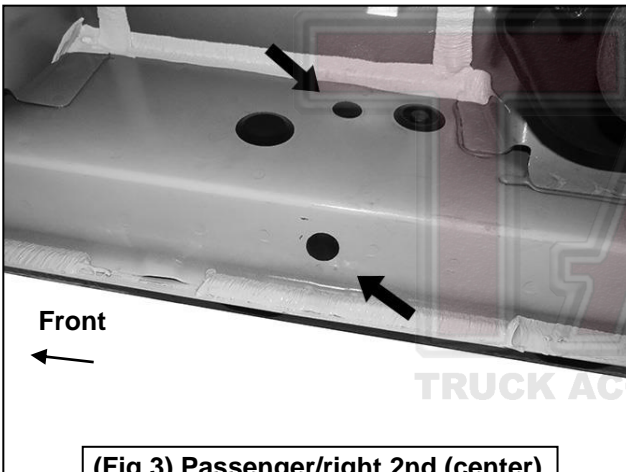
1. Start the installation under the Passenger/Right side of the vehicle. Locate the 4 plugs along the bottom edge of the body. Mounting Brackets will attach to the 1st, 2nd and 4th threaded mounting holes, **(Figures 1, 3 & 4)**. Remove the plastic plugs from each mounting location. Directly above each threaded hole is a top mounting location on the side of the body panel. Hold a Bracket up in place to help determine the mounting holes to use along the body. **NOTE:** Thread an 8mm Hex Bolt into the threaded holes to clear paint as required.
2. Select (1) Mounting Bracket. Attach the Mounting Bracket to the factory threaded holes with (2) 8mm Hex Bolts, (2) 8mm Lock Washers and (2) 8mm Flat Washers, **(Figure 2)**. Do not tighten hardware.
3. Move along the body to the next mounting location. Repeat **Steps 1 & 2** to attach a Mounting Bracket to the 2nd (center) mounting location. Repeat this Step to attach a Bracket to the last mounting location toward the back of the cab.
4. Select the Passenger/Right Sidebar. Use the illustration above to help determine the correct Sidebar. **NOTE:** The rear step pad is closer to the end of the Sidebar. Place the Sidebar on top of the Brackets. **IMPORTANT:** Do not slide, (front to back or rotate), the Sidebar on the Brackets or damage to the finish may result. Attach the Sidebar to the Brackets with (6) 8mm Combo Bolts, **(Figure 5)**.
5. Level and adjust the Sidebar and fully tighten all hardware.
6. Repeat **Steps 1—5** to attach the Driver/Left Sidebar.
7. Do periodic inspections to the installation to make sure that all hardware is secure and tight.

To protect your investment, Do not use any type of polish or wax that may contain abrasives that could damage the finish. Mild soap may be used also to clean Sidebars.

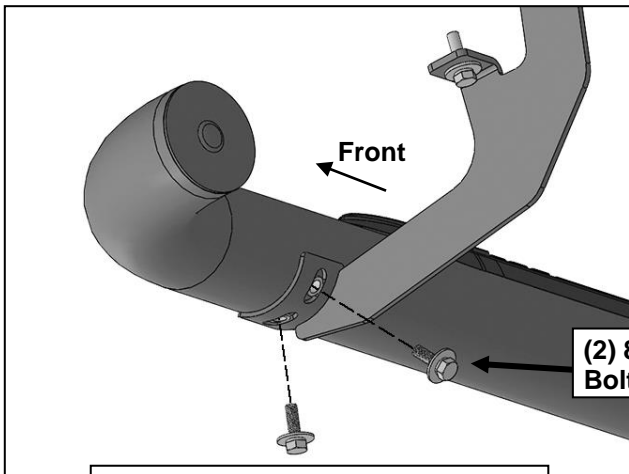
Passenger/Right side Installation Pictured



(Fig 1) Remove plastic plugs (arrows) to uncover threaded holes in floor

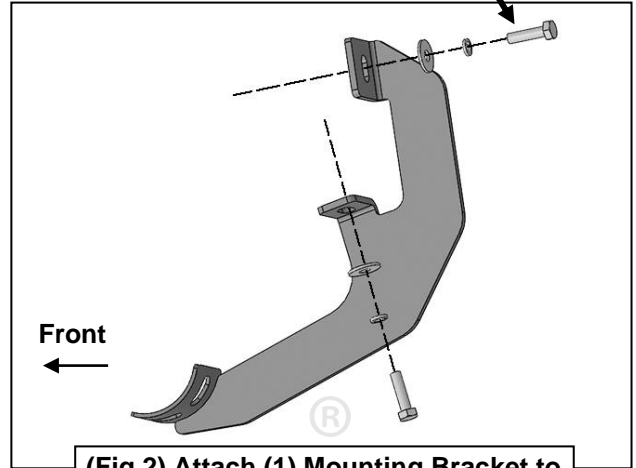


(Fig 3) Passenger/right 2nd (center) mounting location



(Fig 5) Attach the Passenger/Right Sidebar to the Mounting Brackets

- (2) 8mm Hex Bolts
- (2) 8mm Lock Washers
- (2) 8mm Flat Washers



(Fig 2) Attach (1) Mounting Bracket to the Passenger/Right front location



(Fig 4) Passenger/right rear mounting location