



INSTALLATION INSTRUCTIONS

VIEWPOINT RUNNING BOARD

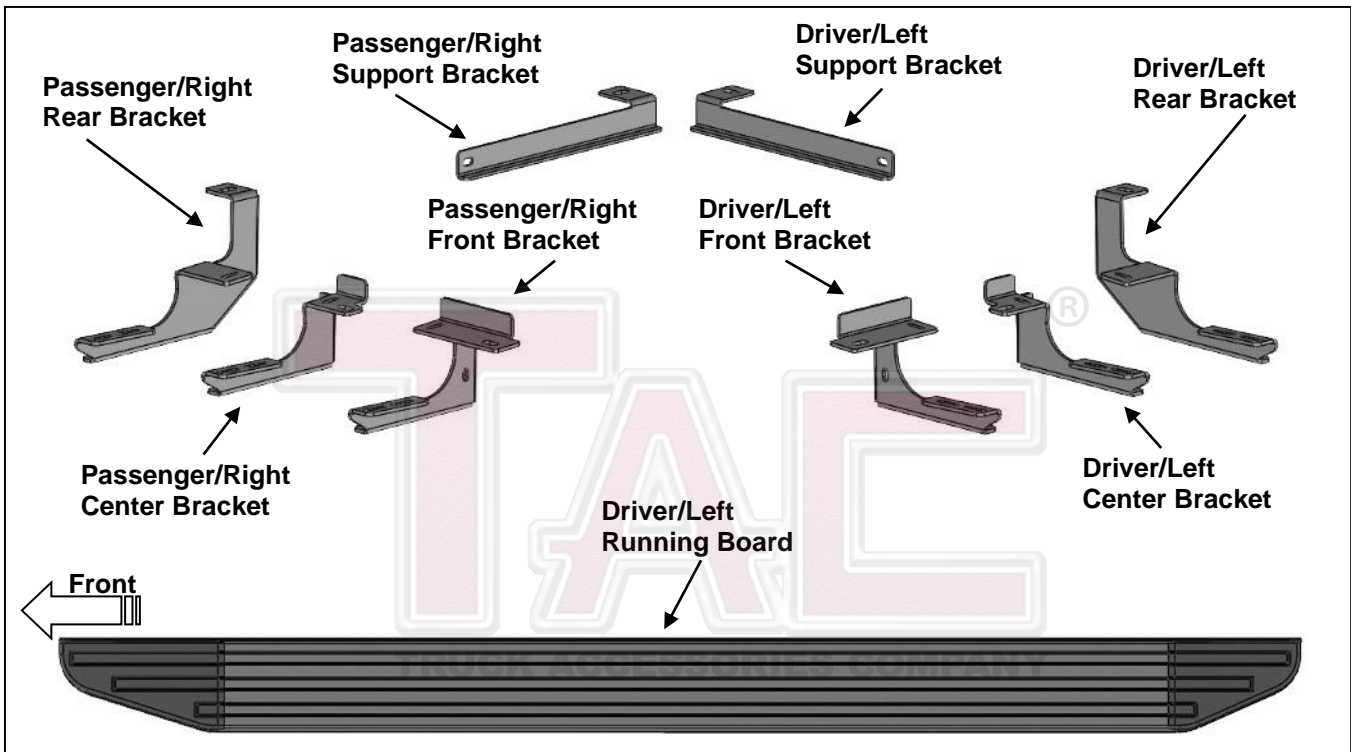
2020-2024 KIA TELLURIDE

PART# 180330

TRUCK ACCESSORIES COMPANY

PARTS LIST:

1	Driver/Left Running Board	8	10mm Plastic Retainers
1	Passenger/Left Running Board	8	10mm x 30mm OD x 2.5mm Flat Washers
1	Driver/Left Front Mounting Bracket	8	10mm Nylon Lock Nuts
1	Passenger/Right Front Mounting Bracket	2	8-1.25mm x 25mm Hex Bolts
1	Driver/Left Front Support Bracket	4	8mm x 24mm OD x 2mm Flat Washers
1	Passenger/Right Front Support Bracket	2	8mm Lock Washers
1	Driver/Left Center Mounting Bracket	2	8-1.25mm Hex Nuts
1	Passenger/Right Center Mounting Bracket	12	6-1.0mm x 20mm T-Bolts
1	Driver/Left Rear Mounting Bracket	16	6mm x 18 OD x 1.6mm Flat Washers
1	Passenger/Right Rear Mounting Bracket	16	6mm Lock Washers
8	10-1.5mm x 40mm Bolt Plates	16	6mm Hex Nuts



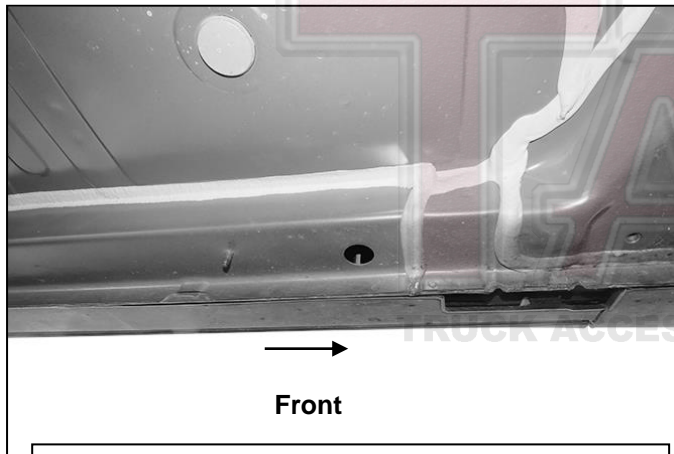
PROCEDURE:

1. REMOVE CONTENTS FROM BOX. VERIFY ALL PARTS ARE PRESENT. READ INSTRUCTIONS CAREFULLY BEFORE STARTING INSTALLATION. CUTTING IS REQUIRED TO INSTALL.
2. Remove the cover panels on the bottom of the vehicle, (**Figure 1A**). Keep the OE hardware for reuse later.
3. Locate the Driver/Left mounting location and remove the factory round rubber plug in the bottom of the outer rocker panel, (**Figure 1B**).
4. Select (1) 10mm Bolt Plate. Insert the Bolt Plate into the hole. Thread (1) 10mm Plastic Retainer to the Bolt Plate to hold it in place, (**Figure 2**).
5. Select the Driver/Left Front Mounting Bracket. Attach the Mounting Bracket to the Bolt Plate with (1) 10mm Flat Washer and (1) 10mm Nylon Lock Nut, (**Figure 3**). Attach the Bracket to the stud with (1) 6mm Flat Washer, (1) 6mm Lock Washer and (1) 6mm Hex Nut. Do not tighten hardware.
6. Locate the inner hole behind the Driver/Left Front Mounting Bracket. Repeat **Step 4** to insert (1) 10mm Bolt Plate, (**Figure 4**).
7. Select the Driver/Left Support Bracket. Attach the Support Bracket to the Bolt Plate in the inner hole with (1) 10mm Flat Washer and (1) 10mm Nylon Lock Nut, (**Figure 5**). Attach the Support Bracket to the Mounting Bracket with (1) 8mm Hex Bolt, (2) 8mm Flat Washers, (1) 8mm Lock Washer and (1) 8mm Hex Nut, (**Figures 6 & 7**). Do not tighten hardware.

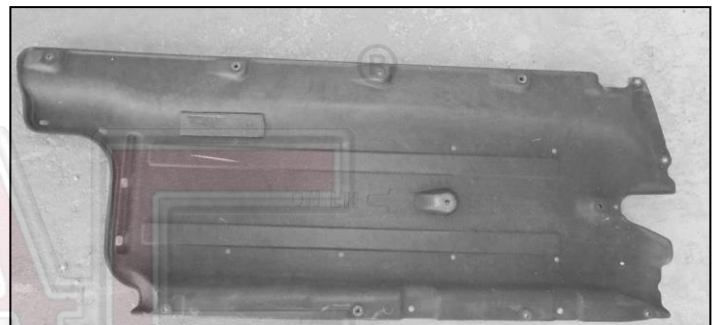
8. Move to the center mounting location. Repeat **Steps 4 & 5** to attach the Driver/Left Center Mounting Bracket to the center mounting location, (**Figures 8 & 9**). Do not tighten hardware.
9. Move to the rear mounting location. Repeat **Steps 4 & 5** to attach the Driver/Left Rear Mounting Bracket, (**Figures 10—12**) and reuse the 6mm OE Bolt to mounting the lower bracket slot on the rocker panel (**Figure 12**). Do not tighten hardware.
10. Select the Driver/Left side factory plastic covers. Hold up each cover to the mounting locations. Mark and cut each plastic cover along the marks to allow Brackets clearance. (**Figure 13**) **IMPORTANT: The covers must be cut for bracket clearance.**
11. Select and carefully unwrap the Driver/Left Running Board. Insert (6) 6mm T-Bolts in to the channels on the bottom of the Running Board, (**Figure 14**). Attach the Running Board to the mounting brackets with (6) 6mm Flat Washers, (6) 6mm Lock Washers and (6) 6mm Hex Nuts, (**Figure 15**).
12. Level and adjust the Running Board and tighten all hardware.
13. Reattach the plastic covers.
14. Repeat **Steps 2—13** for the Passenger/Right Running Board installation.
15. Do periodic inspections to the installation to make sure that all hardware is secure and tight.

To protect your investment, Do not use any type of polish or wax that may contain abrasives that could damage the finish. Aluminum polish may be used to polish small scratches and scuffs on the finish. Mild soap may be used also to clean the Running Board.

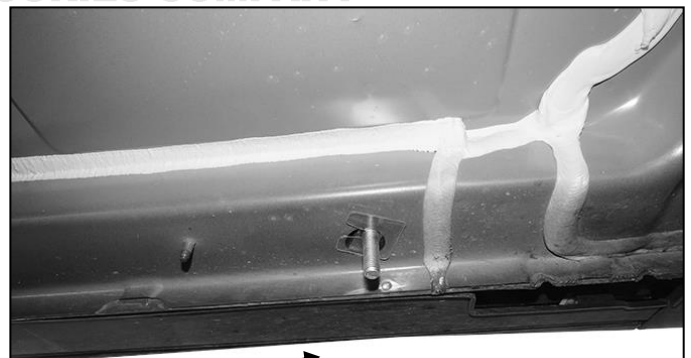
Driver/Left Side Installation Pictured



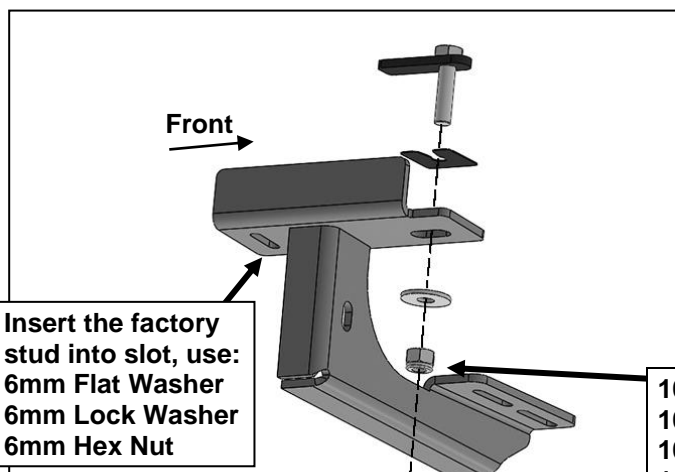
(Fig 1B) Driver/Left front outer mounting location



(Fig 1A) Remove the cover panels on the bottom of the vehicle



(Fig 2) Insert (1) 10mm Bolt Plate into the hole. Thread (1) 10mm Plastic Retainer onto the Bolt Plate to hold it in place

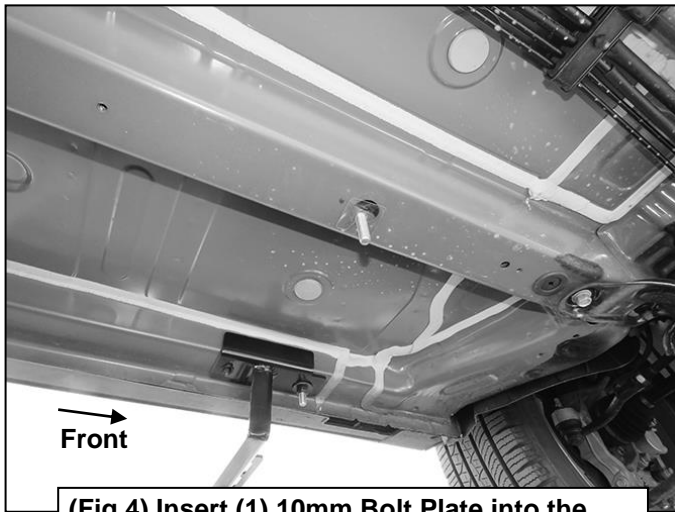


Insert the factory stud into slot, use:
6mm Flat Washer
6mm Lock Washer
6mm Hex Nut

10mm Bolt Plate
10mm Plastic Retainer
10mm Flat Washer
10mm Nylon Lock Nut

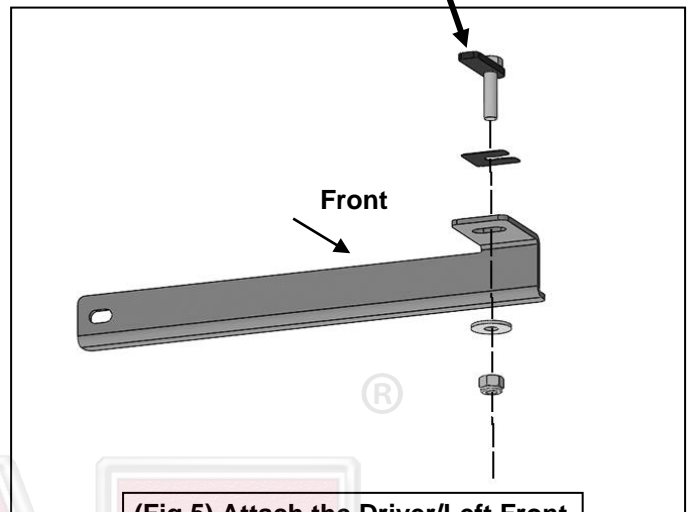
(Fig 3) Attach the Driver/Left Front Mounting Bracket to the Bolt Plate

Driver/Left Side Installation Pictured

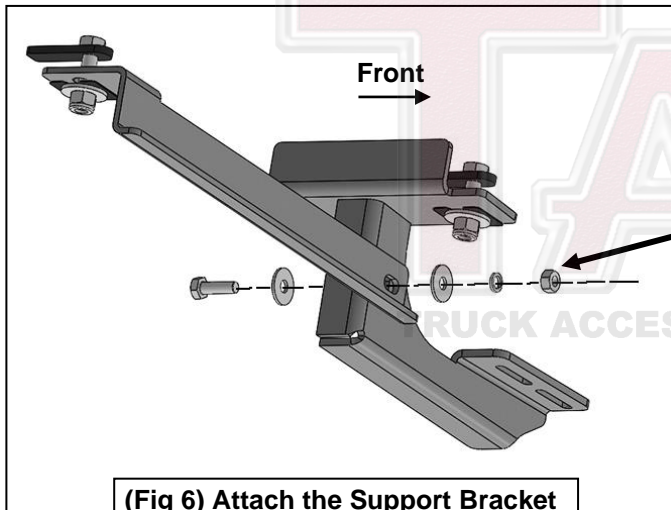


(Fig 4) Insert (1) 10mm Bolt Plate into the inner hole. Thread (1) 10mm Plastic Retainer onto the Bolt Plate to hold it in place

- 10mm Bolt Plate
- 10mm Plastic Retainer
- 10mm Flat Washer
- 10mm Nylon Lock Nut

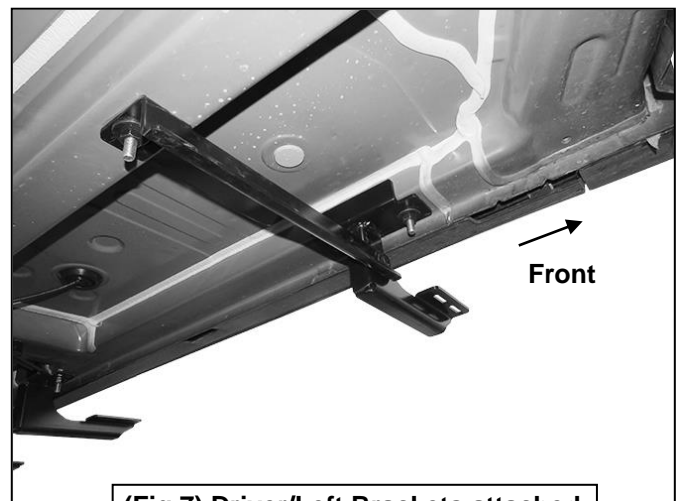


(Fig 5) Attach the Driver/Left Front Support Bracket to the Bolt Plate



- 8mm Hex Bolt
- (2) 8mm Flat Washers
- 8mm Lock Washer
- 8mm Hex Nut

(Fig 6) Attach the Support Bracket to the Mounting Bracket



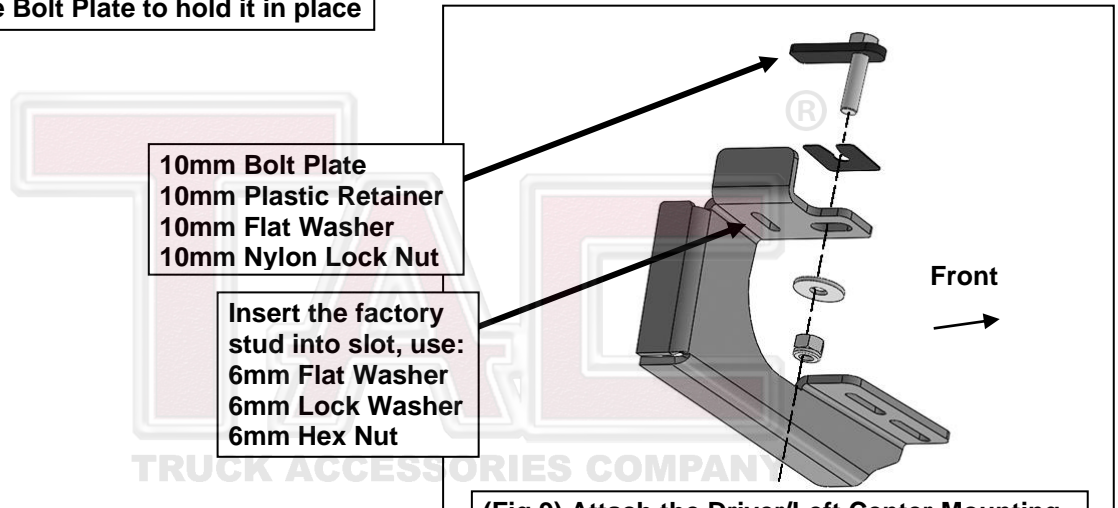
(Fig 7) Driver/Left Brackets attached to the front mounting locations

Driver/Left Side Installation Pictured



→
Front

(Fig 8) Insert (1) 10mm Bolt Plate into the center hole. Thread (1) 10mm Plastic Retainer onto the Bolt Plate to hold it in place

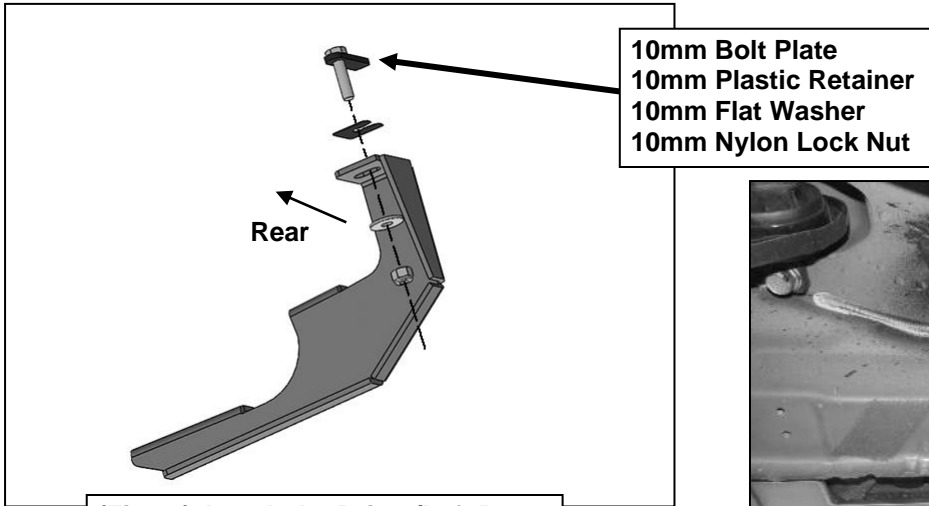


(Fig 9) Attach the Driver/Left Center Mounting Bracket to the center mounting location

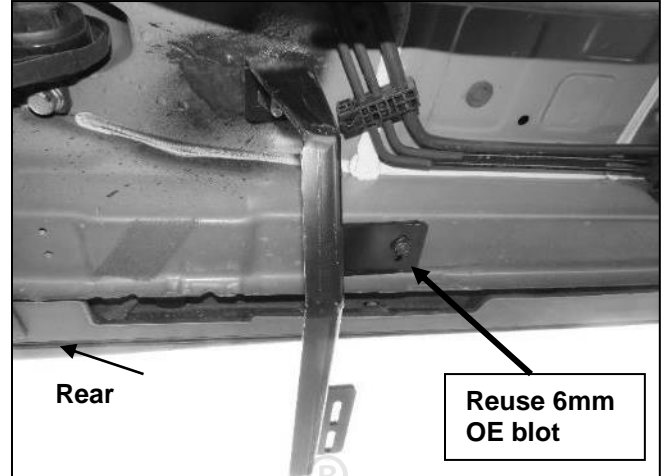


(Fig 10) Insert (1) 10mm Bolt Plate into the rear hole. Thread (1) 10mm Plastic Retainer onto the Bolt Plate to hold it in place

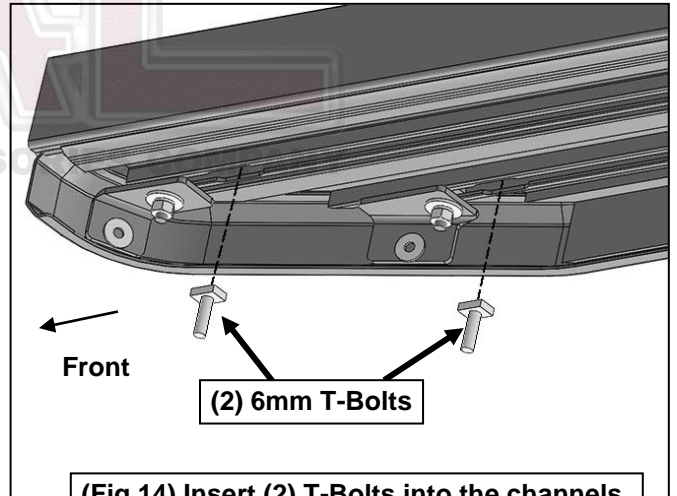
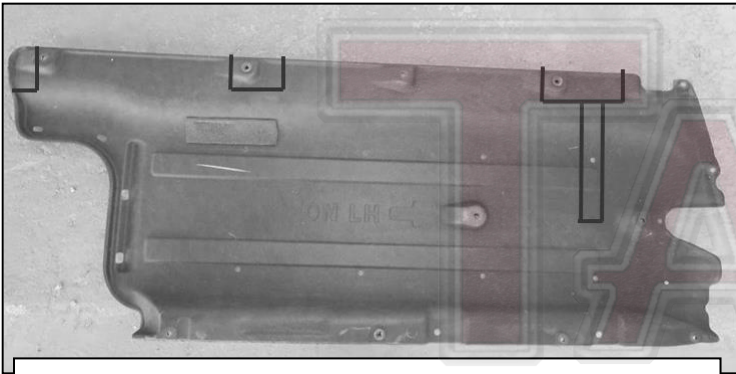
Driver/left Side Installation Pictured



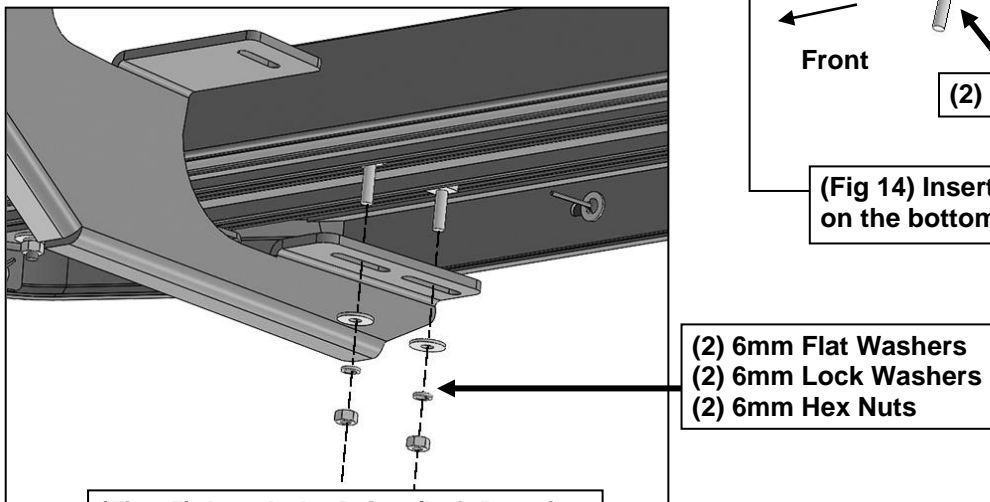
(Fig 11) Attach the Driver/Left Rear Mounting Bracket to the Bolt Plate



(Fig 12) Driver/Left Rear Mounting Bracket attached to the rear mounting location



(Fig 14) Insert (2) T-Bolts into the channels on the bottom of the Running Board



(Fig 15) Attach the Driver/Left Running Board to the Mounting Brackets