

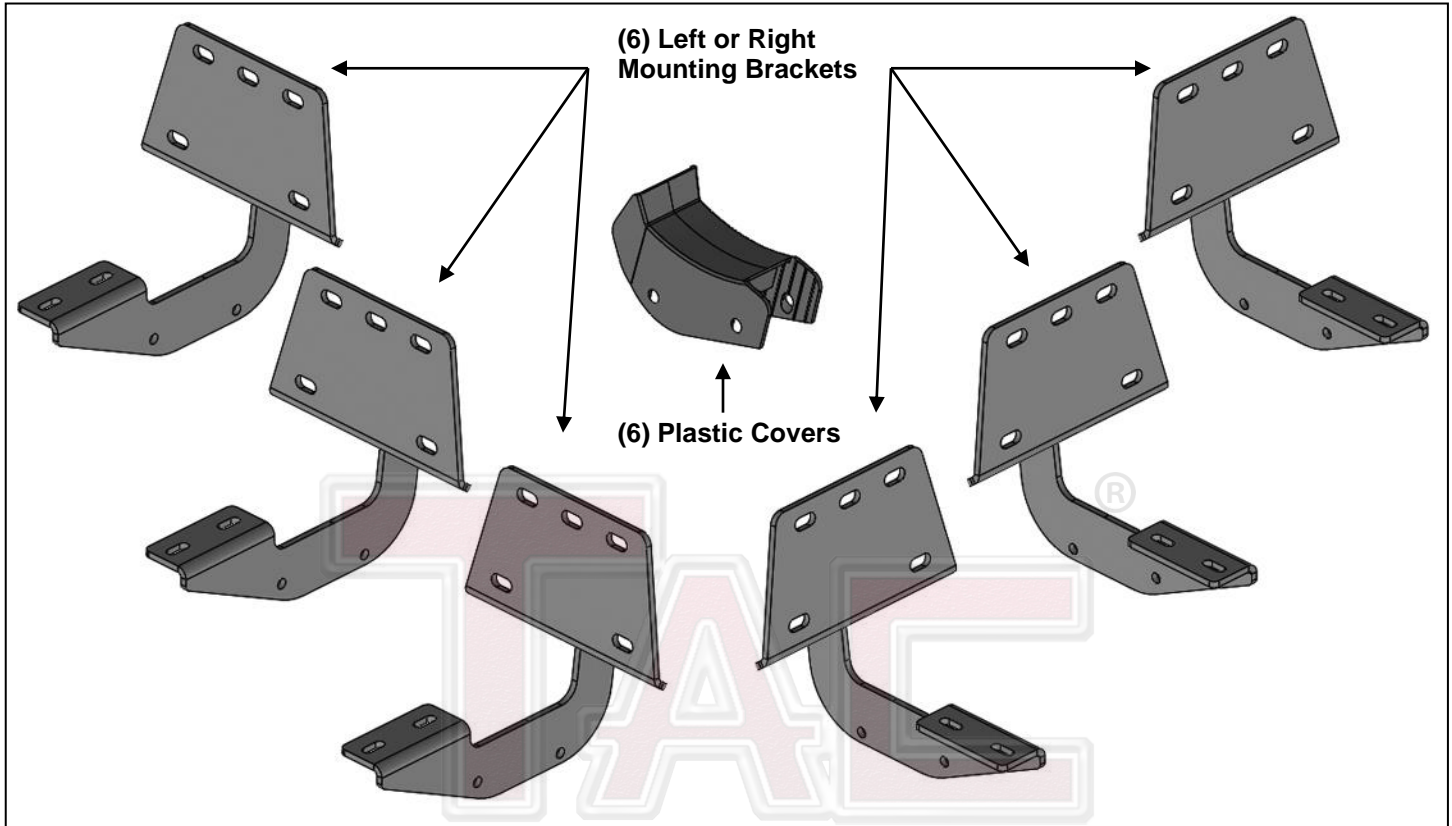


INSTALLATION INSTRUCTIONS

**I4 RUNNING BOARDS
2019-2023 DODGE RAM 1500 CREW CAB
(EXCL. 19-23 RAM 1500 CLASSIC)
PART# 1433301**

PARTS LIST: PART#1433301

2	14 Running Boards (84in)	18	8-1.25mm Nylon Lock Nuts
6	Universal Mounting Brackets (left or right)	12	6mm x 20mm T-Bolts
6	Plastic Bracket Covers	12	6mm x 22mm x 2mm Flat Washers
12	Plastic Clips	12	6mm Lock Washers
18	8mm x 24mm x 2mm Washers	12	6mm Hex Nuts



TRUCK ACCESSORIES COMPANY

PROCEDURE:

REMOVE CONTENTS FROM BOX. VERIFY ALL PARTS ARE PRESENT. READ INSTRUCTIONS CAREFULLY BEFORE STARTING INSTALLATION. ASSISTANCE IS RECOMMENDED.

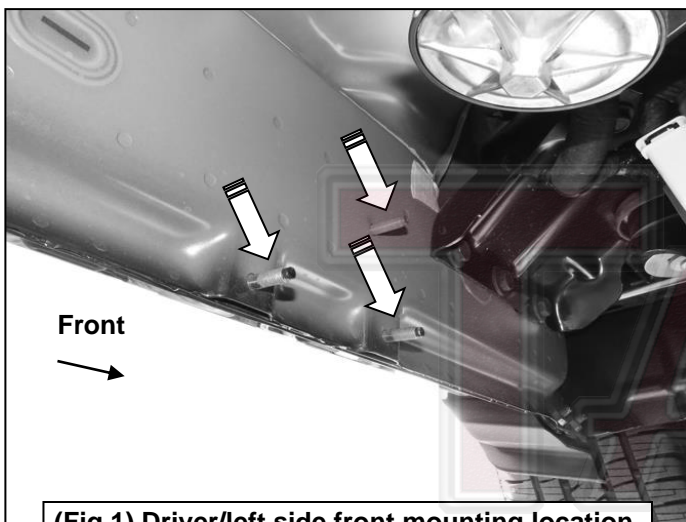
1. Start the installation under the driver side of the vehicle. Locate the front (3) factory studs along the inner side of the body panel, **(Figure 1)**. **NOTE:** Chase threads on the studs first before installing Brackets to remove paint buildup.
2. Select (1) Mounting Bracket. **NOTE:** All (6) Brackets are universal and will fit left or right side. Attach the Mounting Bracket to the (3) factory studs with (3) 8mm Flat Washers and (3) 8mm Nylon Lock Nuts, **(Figure 2)**. Leave brackets loose at this time.
3. Repeat **Steps 1 & 2** to install the Universal Brackets in the center and rear mounting locations along the body panel, **(Figures 3 & 4)**.
4. Select (1) Plastic Bracket Cover. Slide Plastic Cover over Bracket and towards the Bracket flange, **(Figure 5)**. Line up the (2) mounting holes in the Cover with the side holes in the Bracket. Insert (1) Plastic Clip into each hole and push center pin to expand Clip. Repeat this Step for center and Rear Brackets.
5. Carefully unwrap and select (1) Running Board. Place the Running Board on top of the Brackets. Locate the channel openings in the bottom of the Running Board. Select (6) 6mm T-Bolts, **(Figure 6)**. Insert the T-Bolts into the channels in the bottom of the Running Board

closest to the Brackets, **(Figure 7)**. Lift the Running Board up and guide the studs through the Brackets.

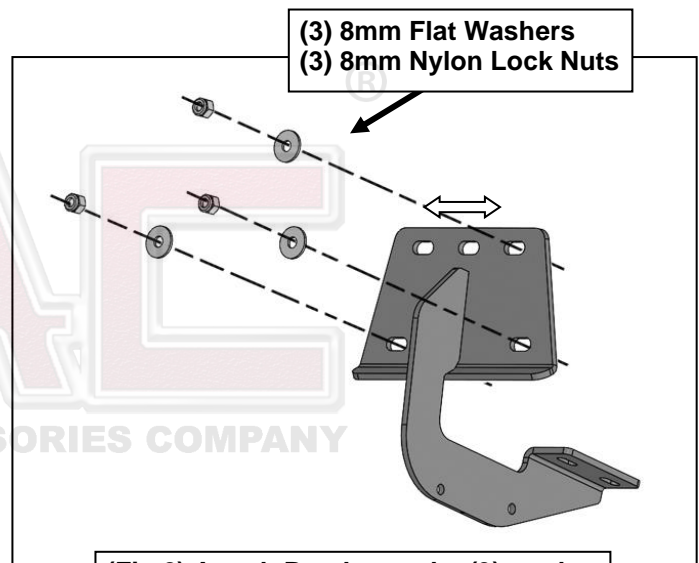
6. Attach the Running Board to the Brackets with (6) 6mm Flat Washers, (6) 6mm Lock Washers and (6) 6mm Hex Nuts, **(Figures 8 & 9)**. **NOTE:** The Running Board is designed to fit close to the vehicle. It may be necessary to loosen the Bracket hardware slightly and tilt the Brackets downward to insert the Running Board between the Brackets and the body.
7. Level and adjust the Running Board as necessary and fully tighten all hardware.
8. Repeat **Steps 1—6** for Passenger/right side Running Board Installation.
9. Do periodic inspections to the installation to make sure that all hardware is secure and tight.

To protect your investment, wax this product after installing. Regular waxing is recommended to add a protective layer over the finish. Do not use any type of polish or wax that may contain abrasives that could damage the finish. Mild soap may be used also to clean the Running Board.

Driver/left Side Installation Pictured



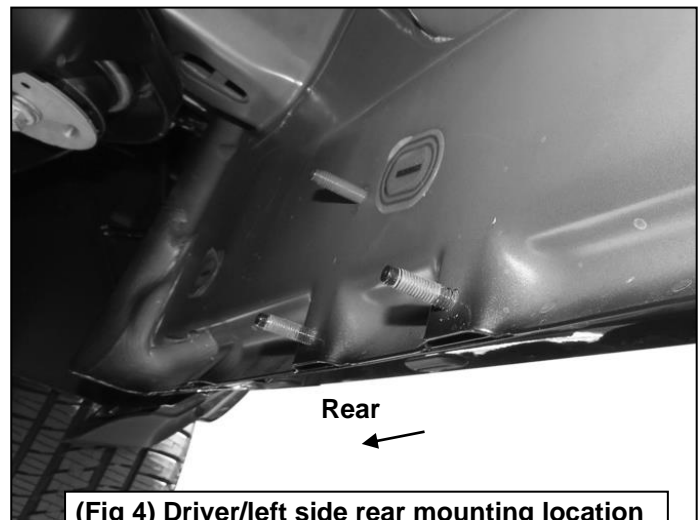
(Fig 1) Driver/left side front mounting location



(Fig 2) Attach Bracket to the (3) studs

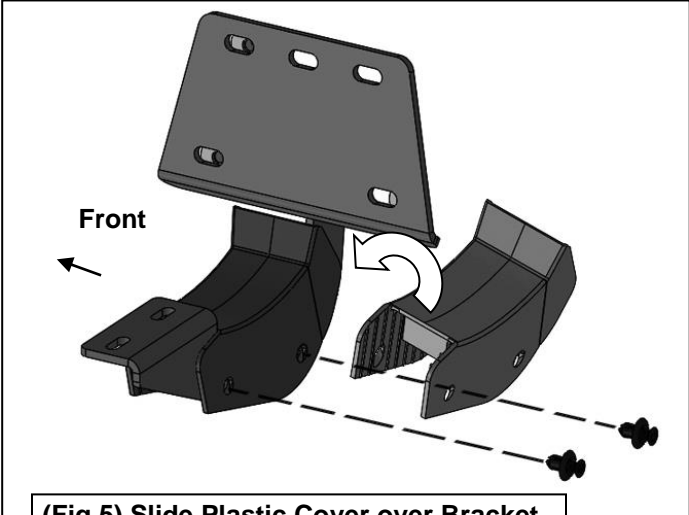


(Fig 3) Driver/left side center mounting location

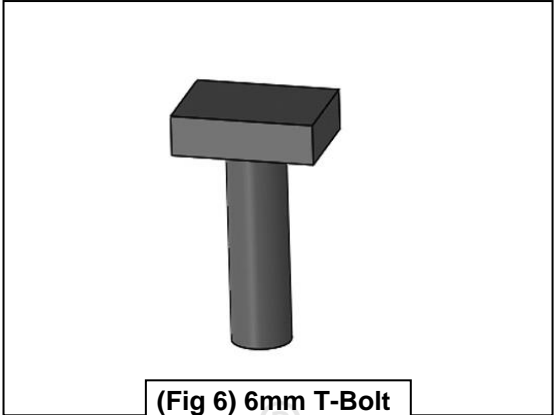


(Fig 4) Driver/left side rear mounting location

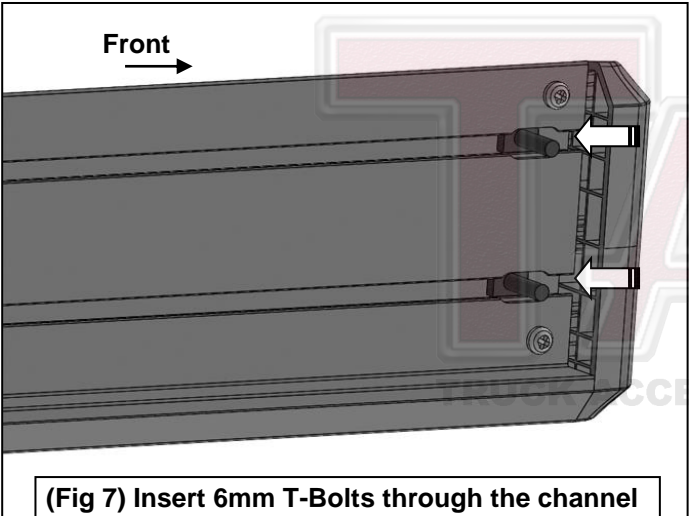
Driver/left Side Installation Pictured



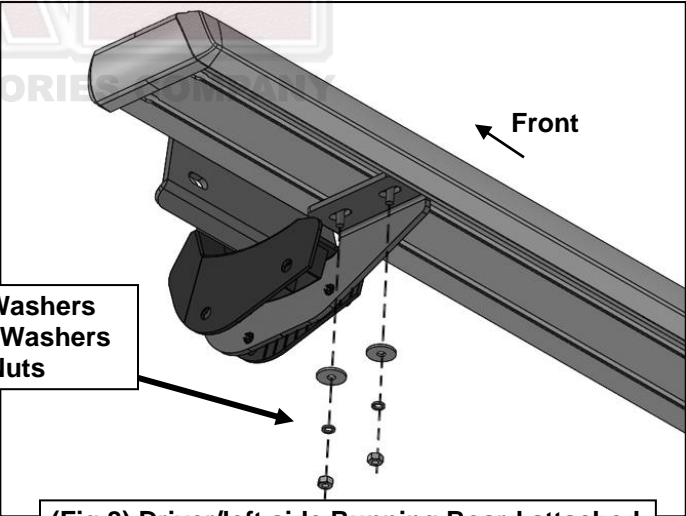
(Fig 5) Slide Plastic Cover over Bracket and towards the Bracket flange



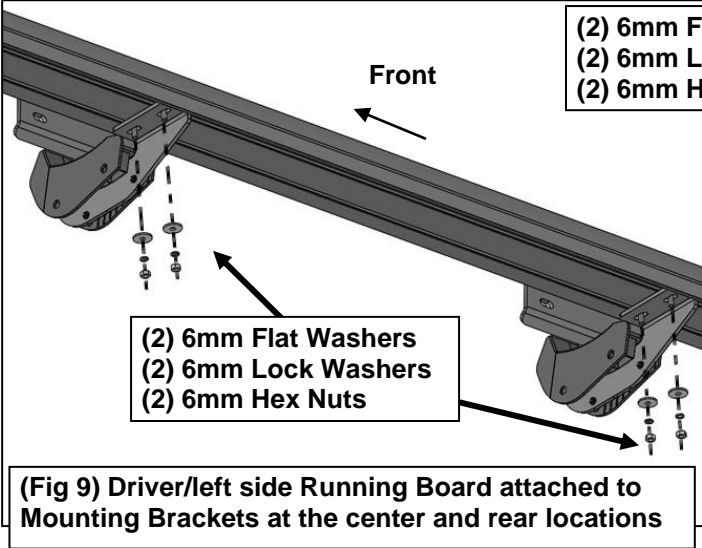
(Fig 6) 6mm T-Bolt



(Fig 7) Insert 6mm T-Bolts through the channel openings in the bottom of the Running Board



(Fig 8) Driver/left side Running Board attached to Mounting Bracket at the front location



- (2) 6mm Flat Washers
- (2) 6mm Lock Washers
- (2) 6mm Hex Nuts

(Fig 9) Driver/left side Running Board attached to Mounting Brackets at the center and rear locations