



INSTALLATION INSTRUCTIONS

I-4 RUNNING BOARD

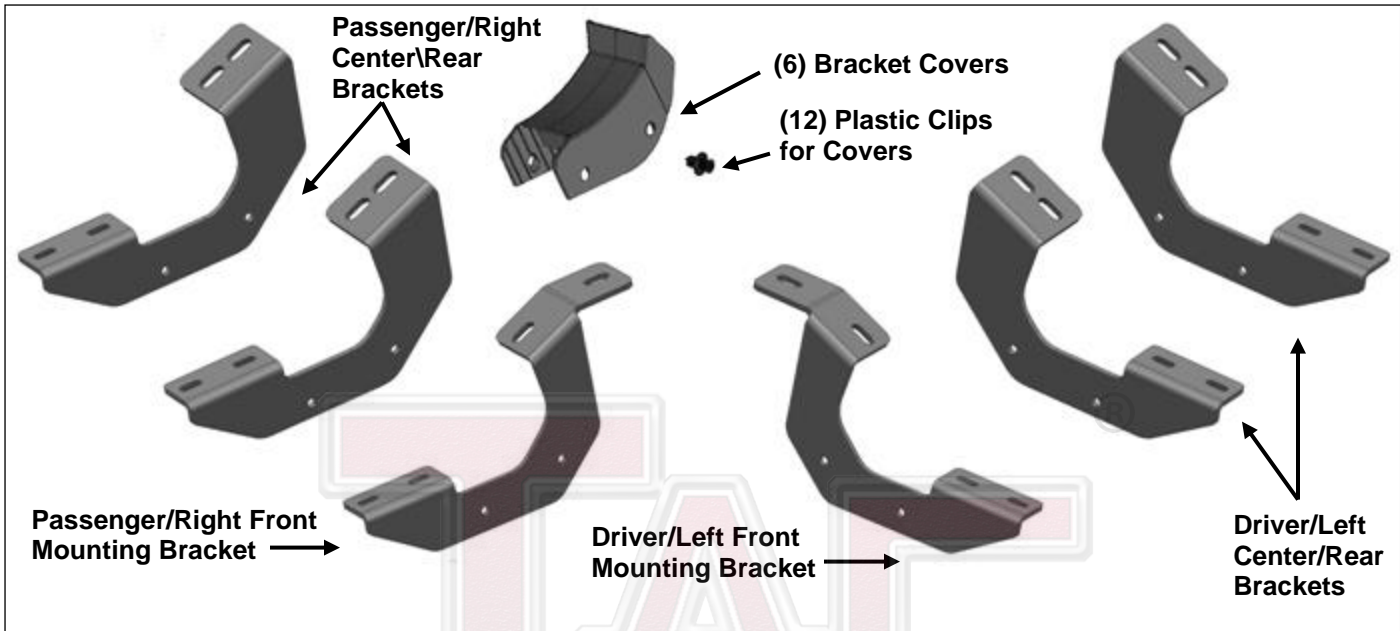
2005-2023 TOYOTA TACOMA DOUBLE CAB

PART# 1430901

TRUCK ACCESSORIES COMPANY

PARTS LIST:

2	I-4 Running Boards	12	8-1.25mm x 30mm Hex Bolts
1	Driver/Left Front Mounting Bracket	12	8mm x 24mm OD x 2mm Flat Washers
1	Passenger/Right Front Mounting Bracket	12	8mm Lock Washers
2	Driver/Left Center and Rear Mounting Brackets	12	6mm Lock Washers
2	Passenger/Right Center and Rear Mounting Brackets	12	6mm x 22mm x 2mm Flat Washers
12	Plastic Clips	12	6mm Hex Nuts
6	Plastic Covers	12	6mm x 20mm T-Bolts



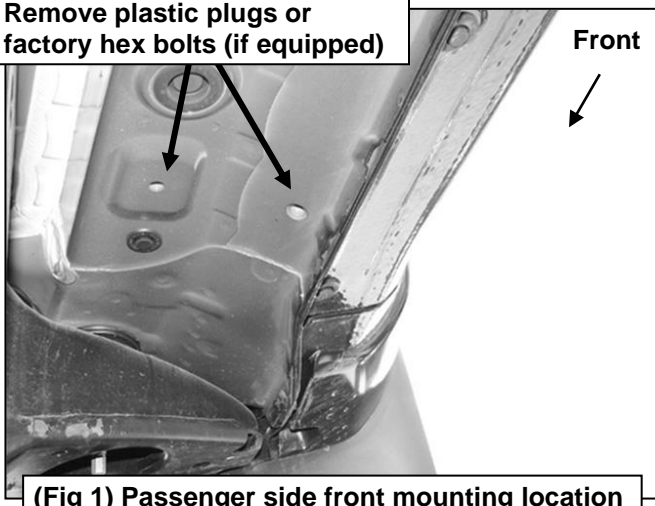
PROCEDURE:

1. REMOVE CONTENTS FROM BOX. VERIFY ALL PARTS ARE PRESENT. READ INSTRUCTIONS CAREFULLY. USE ILLUSTRATION TO PROPERLY IDENTIFY BRACKETS AND SIDEBARS.
2. Starting on the passenger side front of the vehicle, remove the plastic plugs or bolts covering the threaded holes in the body panel, (**Figure 1**). Select the passenger side front Mounting Bracket, (**Figures 2 & 3**). Attach the Bracket to the vehicle using the included (2) 8mm x 30mm Hex Bolts, (2) 8mm Lock Washers and (2) 8mm Flat Washers, (**Figure 2**). Do not tighten hardware at this time.
3. Select (1) Plastic Bracket Cover and (2) Retaining Clips, (**Figure 3**). Slide the Cover over the front Bracket. Line up the mounting holes in the Cover with the holes in the Bracket. Insert (1) Clip into each hole and push center pin to expand Clip, (**Figures 4 & 9**). Repeat this Step for all Cover installations.
4. Repeat **Steps 2 & 3** for Center and rear Mounting Bracket installation, (**Figures 6 & 9**).
5. Select (1) Running Board and (6) 6mm T-Bolts. Locate the opening in the end of each channel in the bottom of the Running Board. Slide (3) T-Bolts into each channel, (**Figure 7**).
6. With assistance, carefully position the Running Board onto the (3) Mounting Brackets. Lift the Running Board up and slide the T-Bolts along the channels to line up with the Brackets. **IMPORTANT:** Do not slide the Running Board on the Brackets, (front to back or rotate), or the finish on the Running Board may be damaged.
7. Line up the front of the Running Board approximately 2" back, (or locate as desired), from the front wheel opening. Attach the Running Board to the Brackets with (6) 6mm x 22mm Large Flat Washers, (6) 6mm Lock Washers and (6) 6mm Hex Nuts, (**Figures 8 & 9**). Do not tighten hardware at this time.
8. Properly level and adjust the Running Board and fully tighten all hardware.
9. Repeat **Steps 2—8** for driver/left Running Board installation.
10. Do periodic inspections to the installation to make sure that all hardware is secure and tight.

To protect your investment, wax this product after installing. Regular waxing is recommended to add a protective layer over the finish. Do not use any type of polish or wax that may contain abrasives that could damage the finish. Mild soap may be used also to clean the Running Board.

Passenger/right Side Installation Pictured

Remove plastic plugs or factory hex bolts (if equipped)



(Fig 1) Passenger side front mounting location

(2) 8mm x 30mm Hex Bolts
(2) 8mm Flat Washers
(2) 8mm Lock Washers



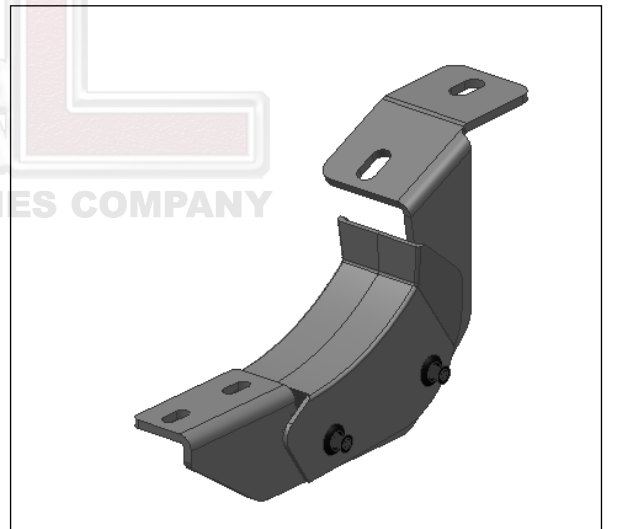
(Fig 2) Passenger side front Bracket installation

(2) Plastic Clips for cover



(Fig 3) Passenger front Bracket cover installation

(Fig 4) Push center pin in to expand Clip in Bracket

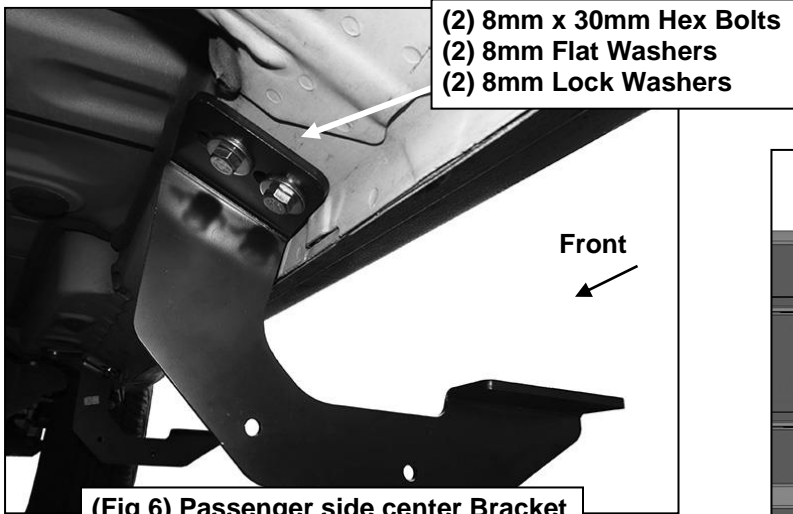


Remove plastic plugs or factory hex bolts (if equipped)

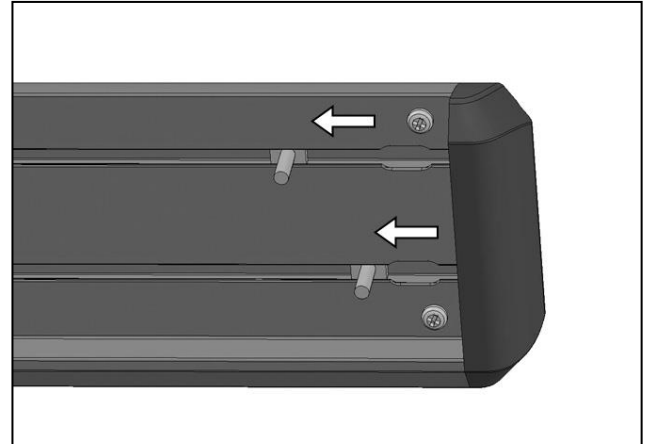


(Fig 5) Example of center and rear locations

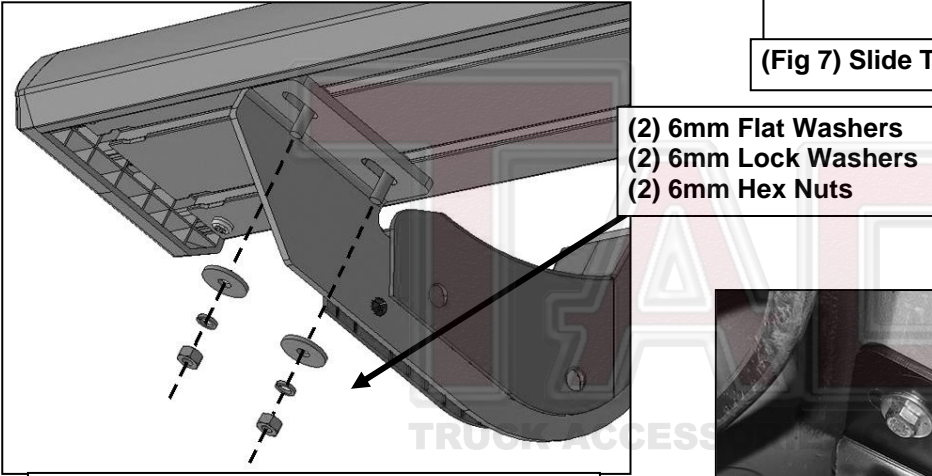
Passenger/right Side Installation Pictured



(Fig 6) Passenger side center Bracket



(Fig 7) Slide T-Bolts into slots in Running Board



(Fig 8) Attach Running Board to Brackets



(Fig 9) Passenger side rear Bracket

