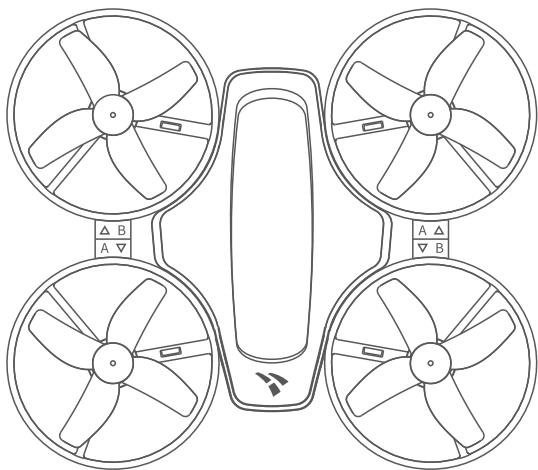


14⁺
FOR AGES



Mini Drone SP350

USER MANUAL

Please read this user manual before flying and keep it well for future reference.

» DISCLAIMER AND SAFETY GUIDELINES

1. DO NOT look directly into the drone light.



2. DO NOT treat the product as household waste.



3. DO NOT fly above or near obstacles, crowds, open water, public road, high voltage power lines or trees.



4. DO NOT use the drone in severe weather conditions. These include wind, snow, rain, smog, hail, lightning, tornadoes or hurricanes.



5. Stay away from the rotating propellers and motors to avoid some tiny objects (e.g. hair) to get into them.



6. This drone does not come with a GPS module. Please fly the drone within the control range.



7. Be sure to observe all local regulations, obtain appropriate authorizations and understand risks. Please note it is solely your responsibility to comply with all flight regulations.

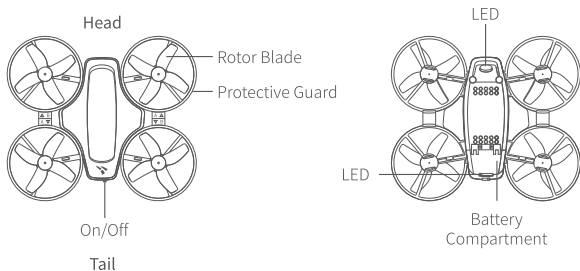


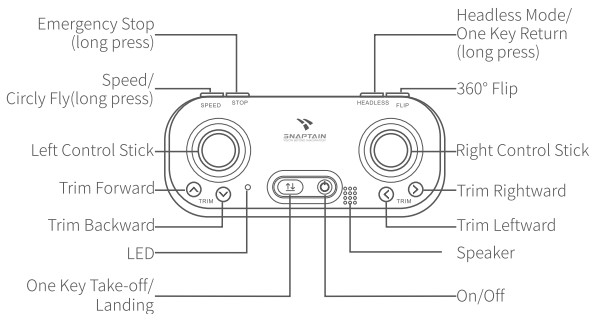
SNAPTAIN accepts no liability for damage, injury or any legal responsibility incurred directly or indirectly from the use of this product. The user shall observe safe and lawful practices including, but not limited to, those set forth in these Safety Guidelines. SNAPTAIN reserves the right to update this user manual.

» MAINTENANCE AND CARE

1. Thoroughly check the drone after crash or violent impact.
2. Do not charge battery before it cools down.
3. Remove the batteries if the products will not be in use for a long time.
4. Do not over charge the battery. Unplug the charger once it's fully charged.
5. Store the drone and remote in a cool, dry place away from direct sunlight.
6. Do not charge the battery next to inflammables, such as carpet, timber floor etc., or on the surface of electro-conductive objects. Please always keep an eye on the battery while charging.
7. Please use the original battery provided. Use an incorrect type of battery may lead to fire hazards.
8. Do not dispose of the battery in fire or a hot oven, cut or mechanically crush the battery, as this may cause explosions.
9. Do not leave the battery in an extremely high-temperature environment that can result in an explosion or the leakage of flammable liquid or gas.
10. Do not expose the battery to the extremely low air pressure, as this may result in an explosion or the leakage of flammable liquid or gas.

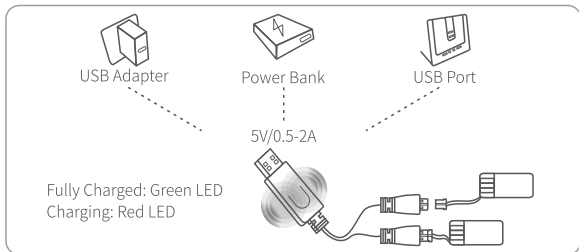
» PRODUCT OVERVIEW



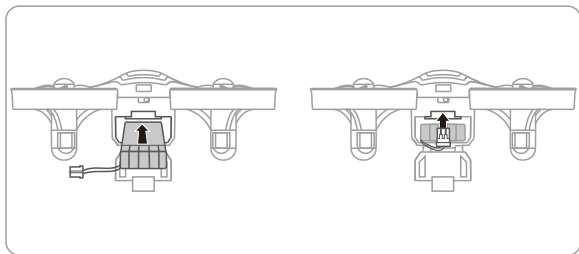


» FLIGHT PREPARATION

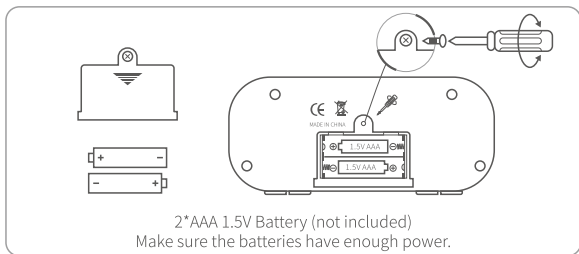
1. Charge the battery of the drone.



2. Install the drone battery after it's fully charged.



3. Install the remote batteries.



☀ Tips:

- ① For your safety, please use the original battery and USB cable provided.
- ② Flight time of the battery may be reduced when flying in cold weather.
- ③ To extend the battery's lifespan, recharge it at least once every three months if not using it for long periods of time.

» FLIGHT OPERATION GUIDE

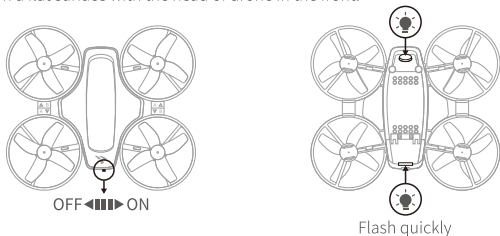
i IMPORTANT

- *Make sure you power on the drone first, then the remote in each flight.
- *Do repeat the pairing procedure each time when the drone or remote is restarted.
- *Calibration is a must to avoid losing your drone.
- *For all flight functions and modes, the operator and tail of the drone must be aligned.

1. Pair the Remote with the Drone

Step 1:

Turn on the drone first. LEDs on the drone start to flash quickly, then place the drone on a flat surface with the head of drone in the front.



Step 2:

Turn on the remote. LED on the remote starts flash quickly. Push the **Left Control Stick** forward to the top, then pull it backward till the bottom. There is a beeping sound in each step. Pairing is complete when the LEDs on the drone and remote are solid on.



2. Flight Calibration

After successfully pairing the drone and the remote, move both control sticks to lower left/right at 45° and hold for 2-3 secs. The calibration completes when the LEDs on the drone turn to solid on from quick flash.



*If the drone crashes and the LEDs on the drone flash quickly, please calibrate the drone again.

3. Flight Instructions

Take-off

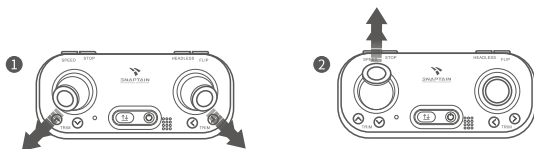
Option 1:

Press the **↑↓** button to take off;



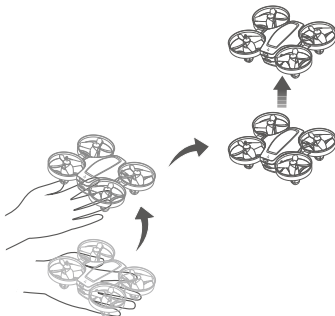
Option 2:

Move the **Left Control Stick** to lower left in 45° and the **Right Control Stick** to lower right in 45° at the same time until four rotor blades start rotating, then slowly push the **Left Control Stick** forward to take off.



Option 3:

Place the drone in your palm with the head in the front, then gently throw it into the air.

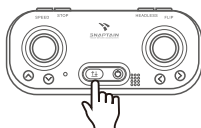


- * Please make sure there is enough space while throwing the drone up. We recommend this option only when the operator is skilled in basic operation.
- * Do not throw the drone to go when its LEDs flash quickly. Please restart the drone and remote, repeat the pairing and calibration procedures, then throw again.

Landing

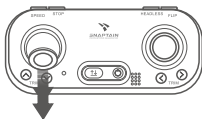
Option 1:

Press the  button to land.



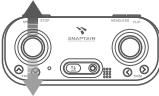
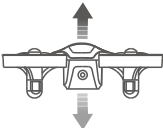
Option 2:

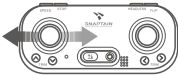
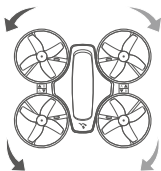
Pull the **Left Control Stick** backward to the bottom to land the drone, and hold it for 3s at least until all the rotor blades stop rotating.




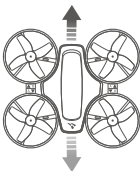
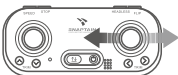
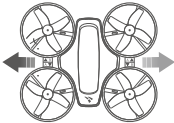
Flight Directions

Left Control Stick

<p>Ascend and Descend</p> 		<p>Push the Left Control Stick forward and the drone will ascend; pull it backward and the drone will descend.</p>
---	---	--

<p>Rotate Left and Rotate Right</p> 		<p>Pull the Left Control Stick leftward and the drone will rotate to the left; pull it rightward and the drone will rotate to the right.</p>
--	---	--

Right Control Stick

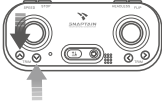
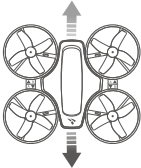
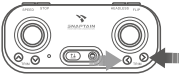
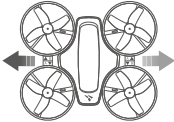
<p>Forward and Backward</p> 		<p>Push the Right Control Stick forward and the drone will fly forward; pull it backward and the drone will fly backward.</p>
<p>Leftward and Rightward</p> 		<p>Pull the Right Control Stick leftward and the drone will fly leftward; pull it rightward and the drone will fly rightward.</p>

Altitude Hold/Hover



This is one of the default settings in the drone. When you release the **Left Control Stick** after the ascending/descending action, the drone will hover at the current flight height. For a stable flight, press the trim buttons to adjust accordingly.

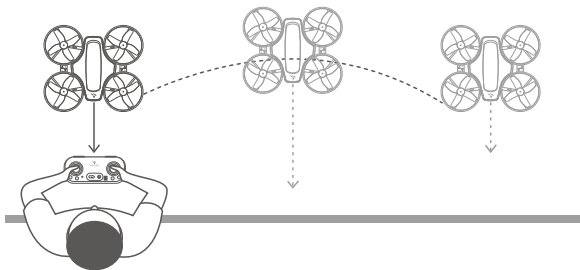
Flight Trimming

Proper trimming can help achieve a hovering flight.


		<p>If the drone drifts forward or backward during the flight, press the Backward Trim button or the Forward Trim button to adjust;</p>
		<p>If the drone drifts leftward or rightward during the flight, press the Rightward Trim button or the Leftward Trim button to adjust.</p>

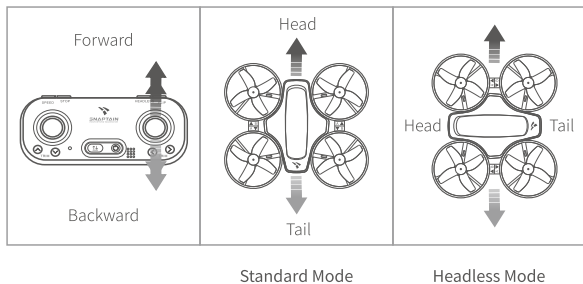
One Key Return

Long press the   button, the drone will fly toward its back following a path that parallels with its original take-off path. Long press the button again to cancel the mode.



Headless Mode


Simply press the  button to activate the function. The LEDs on the drone will flash and there is a beeping sound from the remote. In this mode, the drone will fly following the direction of the **Right Control Stick** regardless of the position of your drone's head or the tail. Press the same button again to exit this mode.

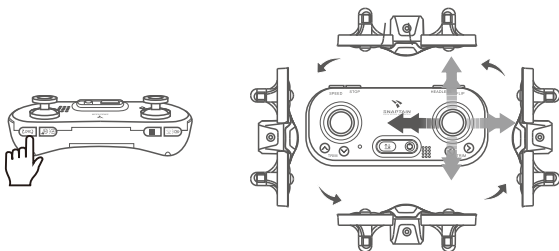


Standard Mode

Headless Mode


360° Flip

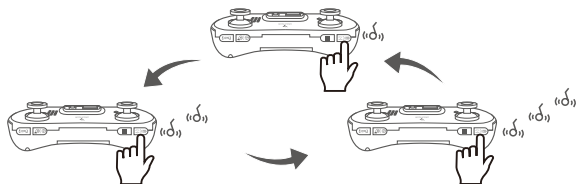
After flying the drone to a height over 2 meters, press the  button to activate 360° Flip function. Then move the **Right Control Stick** forward / backward / leftward / rightward to flip the drone 360° accordingly.




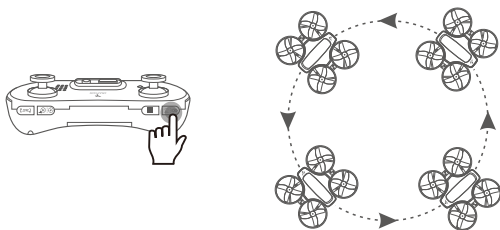
*This function can not be activated when the drone battery is low.

Speed Switch & Circle Fly

The drone is set to low speed by default. Press the  button once to medium speed and there are two beeps from the remote. Press it again to high speed and there are three beeps from the remote. A third press will get back to low speed and there is one beep from the remote.

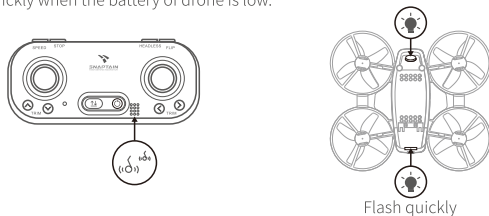


In the case of barrier-free within 5M radius around the drone, long press the  button to make the drone fly in circles; long press the button again or move the **Right Control Stick** to any direction to exit the Circle Fly mode.



Low Battery Warning

There are continuous beeps from the remote, and the LEDs on the drone will flash quickly when the battery of drone is low.



Emergency Stop

Long press the **STOP** button, the drone will stop and fall. The LEDs will flash quickly after an emergency stop. Please restart the drone and calibrate again.

» LED INDICATORS DESCRIPTION

Drone Status	LED on the head	LED on the tail	Remote's LED
Powered On	Flash slowly	Flash red slowly	Flash quickly
Pairing	Flash quickly	Flash red quickly	Flash quickly
Paired/Calibrated	Solid on	Solid red	Solid on
Normal Flight	Solid on	Solid red	Solid on
Low Battery/ Abnormal Flight	Flash quickly	Flash red quickly	Flash red quickly
Headless Mode	Solid on	Flash red slowly	Solid on
Emergency Stop	Solid on	Flash red quickly	Solid on

» TROUBLESHOOTING GUIDE

The remote LED won't turn on.

1. Make sure the On/Off button of remote is turned on.
2. Make sure the batteries are installed correctly with enough power.

The drone LED doesn't turn on after the battery is installed.

1. Make sure the power switch on the drone is turned to ON.
2. Make sure there is enough power in the drone battery.

The motors don't respond to the control stick and the LEDs on the drone flash.

1. Charge the battery or replace it with a fully charged battery.
2. Turn off both devices, and turn on the drone first, then the remote.
3. Check if there is anything stuck into the blades/motors.

The blades spin but the drone won't take off.

1. Make sure the drone battery has enough power.
2. Push the **Left Control Stick** or press the **↑↓** button to take off.

The flight is not stable.

1. Land the drone and restart to do a flight calibration as instructed.
2. Fly in an environment without wind.
3. Trim the flight accordingly.

The response from the drone to the control is not sensitive.

1. Make sure the distance between the drone and the remote is effective.
2. Check and make sure batteries in both devices are installed correctly with enough power.

After a crash, the drone keeps ascending or pitching when flying again .

1. Pull the **Left Control Stick** backward to land the drone, and hold it for 3s at least until all the rotor blades stop rotating, then check if the blades get loose. If yes, please press down the center part of the blade to adjust. Then calibrate the drone again.

Some blades don't spin.

1. Check if there is any hair or grass stuck in the motor.
2. Make sure the blades are not loose.
3. The blades are marked as A1 & B1, and it must be compatible with the model printed on the motor arms. Check and make sure the blades are correctly installed.

» SPECIFICATIONS

Drone	
Operating Temperature	32°F to 104°F(0°C to 40°C)
Operating Frequency	Model SP350: 2430-2475MHz
Remote	
Operating Frequency	Model SP350: 2430-2475MHz
Transmitter Power	Model SP350: 2.4GHz<14dBm
USB Cable	
Input	5V $\overline{\text{---}}$ 0.5-2A
Output	5V $\overline{\text{---}}$ 600mA
Rated Power	3W

FCC Caution:

Any Changes or modifications not expressly approved by the party responsible for compliance could void the user's authority to operate the equipment.

This device complies with part 15 of the FCC Rules. Operation is subject to the following two conditions: (1) This device may not cause harmful interference, and (2) this device must accept any interference received, including interference that may cause undesired operation.

Note: This equipment has been tested and found to comply with the limits for a Class B digital device, pursuant to part 15 of the FCC Rules. These limits are designed to provide reasonable protection against harmful interference in a residential installation. This equipment generates, uses and can radiate radio frequency energy and, if not installed and used in accordance with the instructions, may cause harmful interference to radio communications. However, there is no guarantee that interference will not occur in a particular installation. If this equipment does cause harmful interference to radio or television reception, which can be determined by turning the equipment off and on, the user is encouraged to try to correct the interference by one or more of the following measures:

- Reorient or relocate the receiving antenna.
- Increase the separation between the equipment and receiver.
- Connect the equipment into an outlet on a circuit different from that to which the receiver is connected.
- Consult the dealer or an experienced radio/TV technician for help.

For Remote:

This equipment complies with FCC radiation exposure limits set forth for an uncontrolled environment.

For R/C QUADCOPTER:

This equipment complies with FCC radiation exposure limits set forth for an uncontrolled environment. This equipment should be installed and operated with minimum distance 20cm between the radiator & your body.

This transmitter must not be co-located or operating in conjunction with any other antenna or transmitter.

ISED Warning:

This device complies with Industry Canada licence-exempt RSS standard(s). Operation is subject to the following two conditions:

- (1) this device may not cause interference, and
- (2) this device must accept any interference, including interference that may cause undesired operation of the device.

Le présent appareil est conforme aux CNR d'Industrie Canada applicables aux appareils radio exempts de licence. L'exploitation est autorisée aux deux conditions suivantes :

- (1) l'appareil ne doit pas produire de brouillage, et
- (2) l'utilisateur de l'appareil doit accepter tout brouillage radioélectrique subi, même si le brouillage est susceptible d'en compromettre le fonctionnement.

For R/C QUADCOPTER:

The device is compliance with RF exposure guidelines, users can obtain Canadian information on RF exposure and compliance. The minimum distance from body to use the device is 20cm.

L'appareil est conforme aux directives d'exposition aux RF, les utilisateurs peuvent obtenir des informations canadiennes sur l'exposition aux RF et la conformité. La distance minimale du corps pour utiliser l'appareil est de 20 cm.

For Remote:

The device is compliance with RF exposure guidelines, users can obtain Canadian information on RF exposure and compliance.

Le présent appareil est conforme Après examen de ce matériel aux conformité ou aux limites d'intensité de champ RF, les utilisateurs peuvent sur l'exposition aux radiofréquences et la conformité and compliance d'acquérir les informations correspondantes.

This transmitter must not be co-located or operating in conjunction with any other antenna or transmitter.

Cet émetteur ne doit pas être colocalisé ou fonctionner en conjonction avec une autre antenne ou un autre émetteur.

(HVIN: SNAPTAINSP350)

CAUTION

RISK OF EXPLOSION IF BATTERY IS REPLACED BY AN INCORRECT TYPE

DISPOSE OF USED BATTERIES ACCORDING TO THE INSTRUCTIONS

 The symbol indicates DC voltage



RECYCLING

This product bears the selective sorting symbol for Waste electrical and electronic equipment (WEEE). This means that this product must be handled pursuant to European directive 2012/19/EU in order to be recycled or dismantled to minimize its impact on the environment. User has the choice to give his product to a competent recycling organization or to the retailer when he buys a new electrical or electronic equipment.

This product can be used across EU member states.

The device is low power device, it can meet the requirement of the RF exposure.

EU Compliance Statement: Shenzhen VanTop Technology & Innovation Co., Ltd. hereby declares that this device is in compliance with the essential requirements and other relevant provisions of the Directive 2014/53/EU.

A copy of the EU Declaration of Conformity is available online at <https://doc.vantop.com/>.



BATTERY MUST BE RECYCLED OR DISPOSED OF PROPERLY

Manufacturer

Shenzhen VanTop Technology & Innovation Co., Ltd.

Manufacturer address:

502, 5th Flr. BLDG 4, MinQi Technology Park, No. 65 Lishan Road, Taoyuan Street, Nanshan District, Shenzhen, China

EC

REP

C&E Connection E-Commerce (DE) GmbH
Zum Linnegraben 20, 65933, Frankfurt am Main, Germany
Info@ce-connection.de

SNAPTAIN SUPPORT

US : support@snaptain.com

CA : support@snaptain.com

UK : support.uk@snaptain.com



www.snaptain.com



[@snaptainofficial](https://www.facebook.com/snaptainofficial)



[@snaptain_official](https://www.instagram.com/snaptain_official)