

# **IK711 GPS Tracker**

**User Manual V1.0**



## **Preface**

Congratulations on choosing the icar GPS IK711 vehicle GPS tracker. This manual shows how to easily program and setup the tracker for best results. Make sure to read this manual carefully before using this product, so as to avoid delays or confusion with it's operation. Please note that specifications and instructions are subject to change without notice to facilitate product improvement. Updates and changes will be integrated into the latest release. The manufacturer assumes no responsibility for any errors or omissions in outdated documents.

## **1. Overview**

IK711 is a Vehicle GPS tracker.

## **2. Features**

- Real-time tracking
- GPS Positioning
- History record check
- Geo-Fence alarm
- Low battery alarm
- Power saving mode
- PC & Mobile App tracking
- Mini Hidden
- IP65 Water resistant

## **3. Applications**

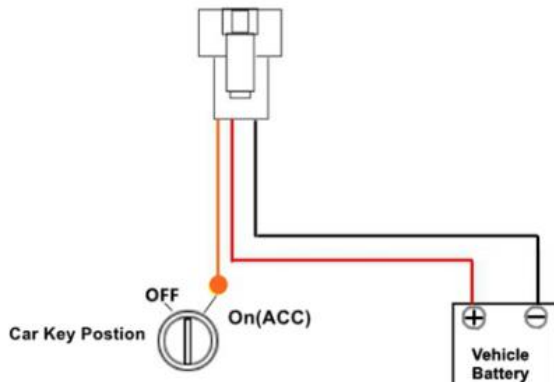
- Vehicle tracking
- Motorcycle tracking
- E-bike tracking

## **4. Specifications**

<b>Item</b>	<b>Specifications</b>
Dimension	87*33*15 mm
Weight	65g
Voltage Value	9-75V
Backup battery	3.7 V 140mAh
Power consumption	40mA standby current
Working temperature	-20°C to 65°C
<b>Item</b>	<b>Specifications</b>
Cellular Bands	<b>GSM:</b> 850/900/1800/1900Mhz
Positioning	GPS, AGPS, LBS
Tracking Sensitivity	-162 dBm
Sensor	Accelerometer
LED	RED/GREEN/BLUE

SIM Card interface	Mini SIM
Waterproof	IP65

## 5. IK711 interface



## 6. In the box

- 1\* IK711 GPS Tracker
- 1\* Quick Start Guide

## 7. Installation

### 7.1 SIM Card installation

- Get ready a **Mini Sim Card** that support **GSM&GPRS** with 30MB data per month
- Open the top housing
- Insert **Sim card** to sim card slot correctly
- Devices would turn on autoly (green led will blinking).
- After that the device will be ready.

### 7.2 LED Indications

	Fix	Flash	Off
Green Light	GSM/GPRS conversation start	No GPRS signal	Power off or in sleep mode
Blue Light	GPS location successful	No GPRS signal	Power off or in sleep mode
Red Light		charging	Full battery or charged full

## 8. SMS Commands List

Function	Command Format	Reply	for example
APN	apn+123456+space+content	apn ok	apn123456 cmnet
	apnuser+123456+space+content	apnuser ok	
	apnpasswd+123456+space+content	apnpasswd ok	
admin number	admin123456+space+admin phone number	admin ok	admin123456 186*****
Domain	IP+space+domain+space+port	Set IP ok	IP <a href="http://www.icargps.net">www.icargps.net</a> 7700
upload frequency	FREQ,123456,30	OK	FREQ,123456,30
Voice monitor	88	Monitor OK	88
Position	G123456	Google map	
Restart GPS	CQGPS	GPS reset OK!	CQGPS
Restart Device	CQ	system reset OK!	CQ
Check	CXZT	details of device	CXZT
Back to factory	Format	OK	

## 9. App & PC Tracking platform

### 9.1 App install & Login

- Search “**ICAR GPS**” in Google Play or iOS store(or scan the following QR code) to download the Mobile APP;

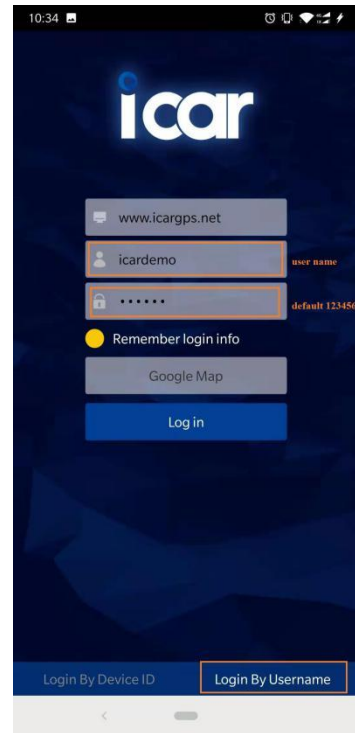
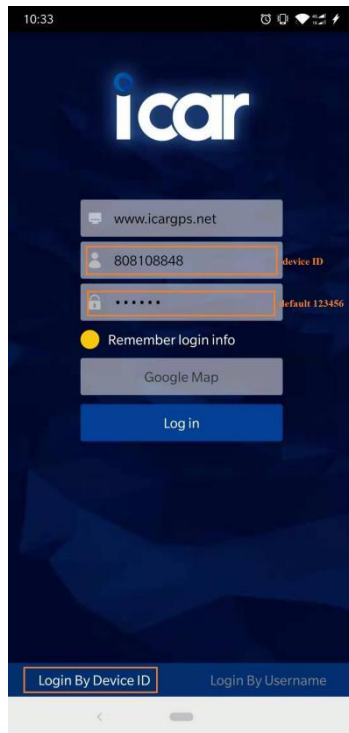


ICAR GPS APP



ICAR GPS APP

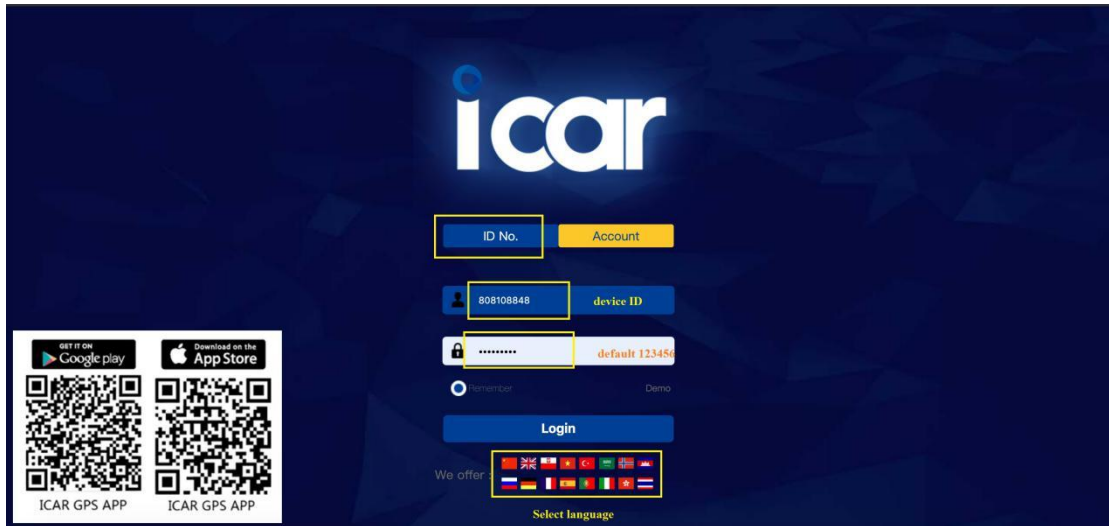
- Choose the” **Login by Device No.**,
- Input **your device's ID number** and password(default is 123456) to login.



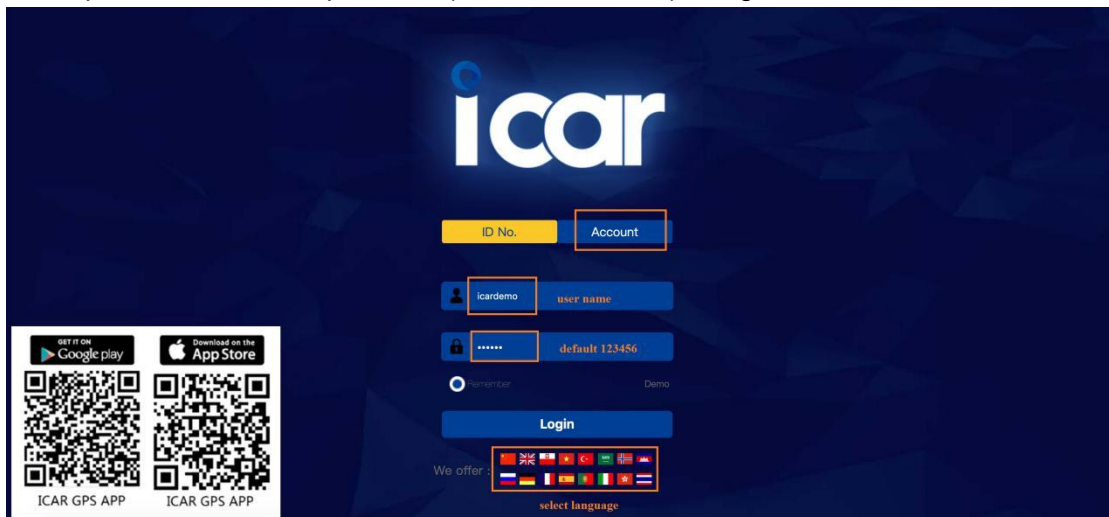
- Choose the” **Login by User name.**,
- Input **your user name** and password(default is 123456) to login.

## 9.2 PC login

- Web: [www.icargps.net](http://www.icargps.net), Choose “**ID No.**”
- Input **your device's ID number** and password(default is 123456) to log in



- Web: [www.icargps.net](http://www.icargps.net), Choose “**Account**”
- Input **user name** and password(default is 123456) to log in



## 10. FAQ

- Q: **Start up Fail?**
- A: Check the device power on or not.

- **Q: The device can not obtain location information?**
- A: Place the unit at the open area to test.
  
- **Q: How to choose SIM card?**
- A: the SIM card must support GSM&GPRS, and ensure that the card has enough currency and credit.
  
- **Q: How to use in the foreign countries?**
- A: please set the APN before use, please edit the text “APN123456 CMNET “ and send it to the SIM card of the device, CMNET is Chinese operator’s APN, Replace the corresponding APN when use in other countries, APN details, please consult your local SIM card carrier.