

MINI SPIDER

User Manual




Model: LM30A

Pls read this user manual before use

User Manual

Attention

1. Don't direct sight when opening the lamp;
2. According to the operating instructions, please don't disassemble the units without authorization , pls contact with the professionals if it break down .
3. Must be installed by professional and technical personnel.
4. Please place the products far away from the class of strobe lights .
- 5.the unit must keep dry, don't use in the rain , damp or dusty environments , need to use the waterproof equipment for protection when used in outdoors.
6. Don't touch the product or pull the power cord when your hand is wet .
7. Please don't switch frequently and avoid long time opening for fear of affecting the service life .
8. Fixed installing to prevent the strong vibration or impact of units
9. To prevent the foreign body into the units to avoid the breakdown
10. The distance of units and light object should be kept in more than 50 cm.
11. Pls don't plug or turn on the units before the installation ;
12. To check the plug and power cord head was connected well before power on ,
13. To use the original packaging and pay attention to Anti-vibration before transporting again,
14.  This symbol pointed out that the classified collection of relative electron and electronic equipment to collect.

MINI SPIDER after service

Product warranty card

future maintenance. Accordingly, for your each purchase of our systems we have archive Serial number and parameters for future reference.

Testing : <input type="checkbox"/>	warranty: <input type="checkbox"/>	non-warranty: <input type="checkbox"/>
Mode:	Serial No.:	
Distributor:	Address:	
Tel:		
<p>About Product Warranty</p> <p>1. Any product buy from our company (or authorized agent), which used properly, and with this card, can have 1 year warranty for Lights, mechanical parts, electronic parts. If out of the warranty situation, we can provide the paid maintenance service.</p> <p>2. The warranty is no longer valid in the following situations:</p> <ul style="list-style-type: none">* Warranty cards and products have no serial numbers..* Product is damaged or show significant signs of self-disassembly.* Any unauthorized modification (removal or replacement) made to product or it's components.* Improper or excessive use of inappropriate repairs which result in a repair failure or injury.* Did not follow instructions or use in an environment not suitable for product..* Product damage caused by strong impact* The warranty cannot be extended if the product as been serviced* Light Source normal degradation* Warranty card must be filled out with receipt of purchasing in order for the warranty to be valid.* Product is damaged due to abnormal voltage or caused by other accidents (ex. Natural disasters). <p>3. The Company reserves the right to interpret the provisions above. The content of these articles is subject to change without notice!</p>		

Cleaning

The lens need to clean frequently to keep the better lighting effects , the frequency of cleaning depends on the environment , damp , smog or dirty environment is easy for dirt retention.

- * with a soft linen and specialized glass abrasive cleaner ;
- * wiping the units carefully ;
- * wiping the outside of lens every 30 days at least .

Declare

The product is with good performance and complete package when it is delivered. The end-user of this product should follow all the above instructions and warnings. Any damage caused by misuse, malfunction and problem caused by ignoring the instructions are not included in the repair guarantees of the manufacturer or dealers. . .

All products made from Big Dipper Laser Company have anti identification. please verify the anti-counterfeit label at the bottom of the case to ensure the interests of consumers.

**Interpretation of matters set forth in this manual
belongs to Big Dipper Company**

Inspection

In order to use the product securely and properly, please read the manual before using and follow the instructions strictly to prevent personal safety trouble and product damage caused by misuse.

Take care of the product, check the possibility of the product damage caused by transportation and check all the listed items are present upon receipt of the product:

Stage Light 1

Use Manual 1

Power cable 1

Warning

Forbid to turn on the machine when the lamp without masks or the housing was broken .

Structure Instructions



Operator Panel

front panel buttons



function button

MENU /ESC	Main menu /return DOWN
DOWN	next option
UP	previous option
ENTER	confirm the function

15 Channel

Channel	Value	Content	
13	Effect	207-216	Effect 21
		217-226	Effect 22
		227-236	Effect 23
		237-246	Effect 24
		247-255	Sound control effect
14	Effect speed	0-255	Effect speed
15	Reset	0-240	No function
		241-255	Reset(5S)

Fault Handling

Solutions for defective problems :

A.The unit no working,no light, fans no working

- 1.Check the power cord if connected well and fuse normal
- 2.Check the voltage

B.Can't controlled by controller

Operator Panel

- 1.Check the DMX signal connector and signal cable , confirm the correct connect .
- 2.Check if the DMX address code are correct .
3. If with intermittent DMX signal transmission,check if Carron Socket connected well with signal cable
4. Use other DMC controller to try again
5. Check if DMX signal cable and high-tension wire with close distance ,will damage or jamming signal circuit .

C Without sound control

1. Make sure the unit not received any DMX signal
2. Check Mic if damaged

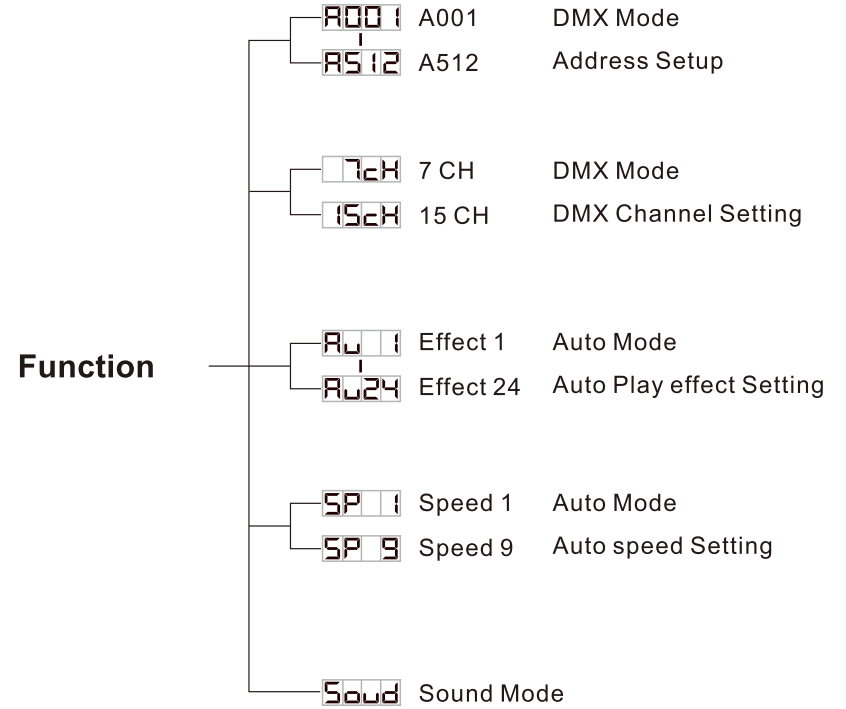
D. One DMX channel can't control

1. Stepper motor or motor leading wire was broken
2. Motor drive circuit was broken

15 Channel

Channel	Value	Content
1	Y Axis motor10-255	0-255 0°-135°
2	Y Axis motor20-255	0-255 0°-135°
3	Dimmer	0-255 0-100%
4	Strobe	0-9 No strobe
		10—255 Strobe speed from slow to quick
5	LED1 Dimming	0-255 0-100%
6	LED2 Dimming	0-256 0-100%
7	LED3 Dimming	0-257 0-100%
8	LED4 Dimming	0-258 0-100%
9	LED5 Dimming	0-259 0-100%
10	LED6 Dimming	0-260 0-100%
11	LED7 Dimming	0-261 0-100%
12	LED8 Dimming	0-262 0-100%
13	Effect	0-7 No effect
		8-17 Effect 1
		18-27 Effect 2
		28-37 Effect 3
		38-47 Effect 4
		48-57 Effect 5
		58-67 Effect 6
		68-77 Effect 7
		78-87 Effect 8
		88-97 Effect 9
		98-107 Effect 10
		108-117 Effect 11
		118-127 Effect 12
		128-136 Effect 13
		137-146 Effect 14
		147-156 Effect 15
		157-166 Effect 16
		167-176 Effect 17
		177-186 Effect 18
		187-196 Effect 19
197-206 Effect 20		

Function button





- ① Rear panel function button
- ② DMX input, use 3-core XLR signal cable to connect the unit, then input DMX signal
- ③ DMX output, use 3-core XLR signal cable to connect the unit, output DMX signal
- ④ Power output: connect next unit, power input: to connect main power

Technical parameter

parameter	
LED light source	8 x 3WLEDs
Power input	AC 100~240V, 50/60Hz
consumed power	45W
Control mode	DMX、master-slave、sound control
DMX Channel	7/15
Slave qty.	120V/60Hz : 6 Pcs; 230V/50Hz : 10 Pcs
NW./G.W.	2.6/3.3KGS
Standard equipped	power cord x1, handle x1, screw x2, user manual x1
Effect	Input program control the unit under master-slave mode controlled by music, 0 ~ 100% smooth dimming function and various strobe effect, unique appearance design, two-way scanning head, two-way swing multiple beam, with multiple beam dynamic scanning effect, highly dynamic, to create a dreamy scene, available for bar, high-end club, disco,

DMX channel function

7 Channel

	Channel	Value	Content
1	Y axis motor1	0-255	0°-135°
2	Y axis motor2	0-255	0°-135°
3	Dimmer	0-255	0-100%
4	Strobe	0---9	No strobe
		10—255	Strobe speed from slow to quick
5	Effect	0—7	No effect
		8-17	effect1
		18-27	effect2
		28-37	effect3
		38-47	effect4
		48-57	effect5
		58-67	effect6
		68-77	effect7
		78-87	effect8
		88-97	effect9
		98-107	effect10
		108-117	effect11
		118-127	effect12
		128-136	effect13
		137-146	effect14
		147-156	effect15
		157-166	effect16
		167-176	effect17
		177-186	effect18
		187-196	effect19
		197-206	effect20
		207-216	effect21
		217-226	effect22
		227-236	effect23
237-246	effect24		
247-255	Sound control effect		
6	effect speed	0-255	from quick to slow
7	Reset	0-240	no function
		241-255	reset (5S)