

GVM

GREAT VIDEO MAKER



GVM Official website

Facebook

Web: www.gvmltd.com

B&H Email: bh@gvmltd.com

GVM Email: support@gvmltd.com

Amazon Email: gvmltdservice@hotmail.com



CONTENTS

Product introduction Page 1

Product parameter Page 2

Product structure analysis Page 3

Installation method Page 4,5,6,7,8

Packing list Page 9

PRODUCT INTRODUCTION

The GVM Turtle Base C Stand Grip Arm Kit is specially designed for mounting lighting equipment and a variety of light-shaping tools and accessories.

The C-Stand with a detachable turtle base that can be removed from the riser section, for easier transportation and allowing you to mount a light to it. The stand's base is a unique staggered 3 leg construction with each leg set at a different height to allow the legs to be nested and placed extremely close to one another on a set.

The main rod and crossbar are three-stage telescopic structure, which can be adjusted freely according to the needs.

In order to improve strength, the riser sections and the base is made of durable stainless steel, making it several times stronger than traditional aluminum designs. to sustain the heavyweight of heavy object.

The connectors between riser sections and head grips are chrome coated from aluminum in order to prevent damage and maintain longevity.

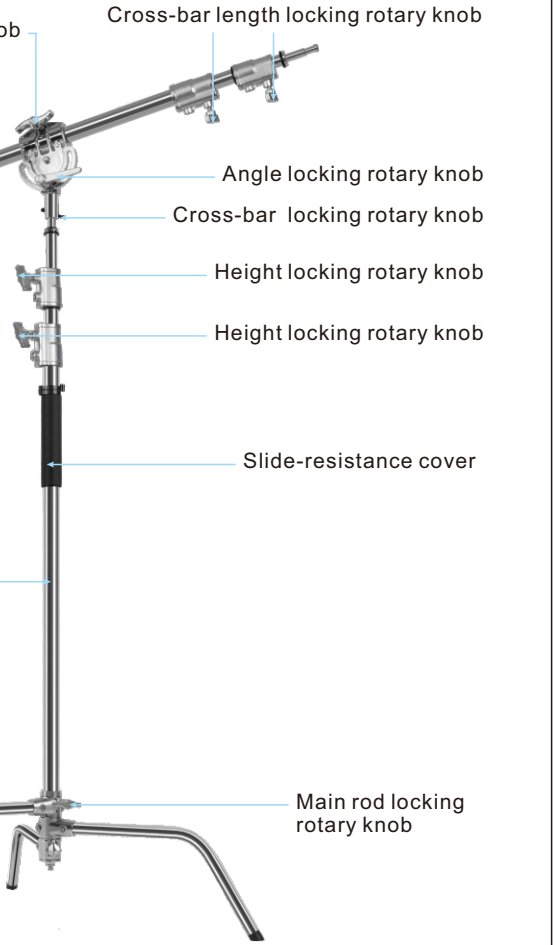
PRODUCT PARAMETER

- ◆ Brand : GVM
- ◆ Name : C tripod
- ◆ Product model: C-360
- ◆ Material : Stainless Steel
- ◆ Main rod diameter: 35-30-25
- ◆ Working height of main rod: 320cm
- ◆ Main rod load weight : 20KG
- ◆ Cross-bar diameter: 35-30-25
- ◆ Working height of cross-bar: 94-225cm
- ◆ Cross-bar load weight: 5KG

DISCLAIMERS

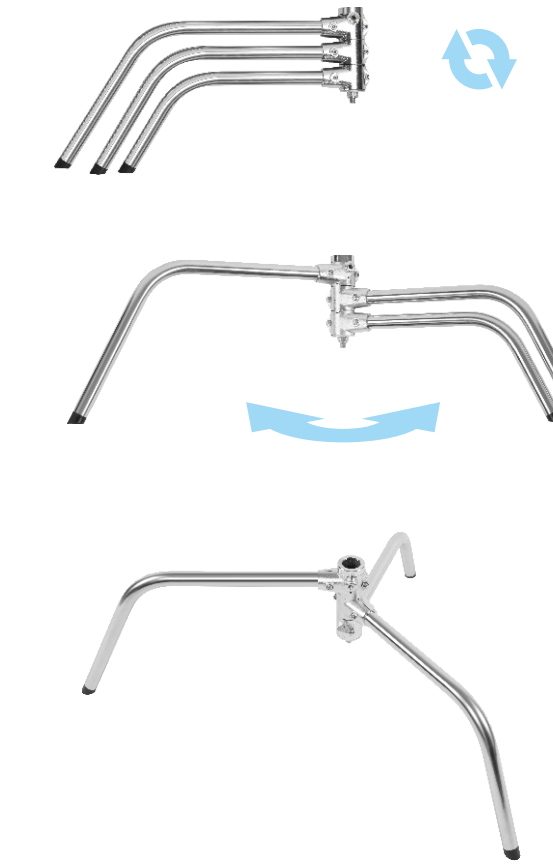
1. Before using this product, please read the instructions carefully and make sure use the product correctly. If you don't obey the instructions and warnings, you maybe cause harm to yourself and the people around, or even damage the product and other things around.
2. Once you use this product, you are deemed to have read the disclaimer and warning carefully, understand and acknowledge all the terms and contents of this statement, and promise to take full responsibility for the use of this product and possible consequences.

PRODUCT STRUCTURE ANALYSIS



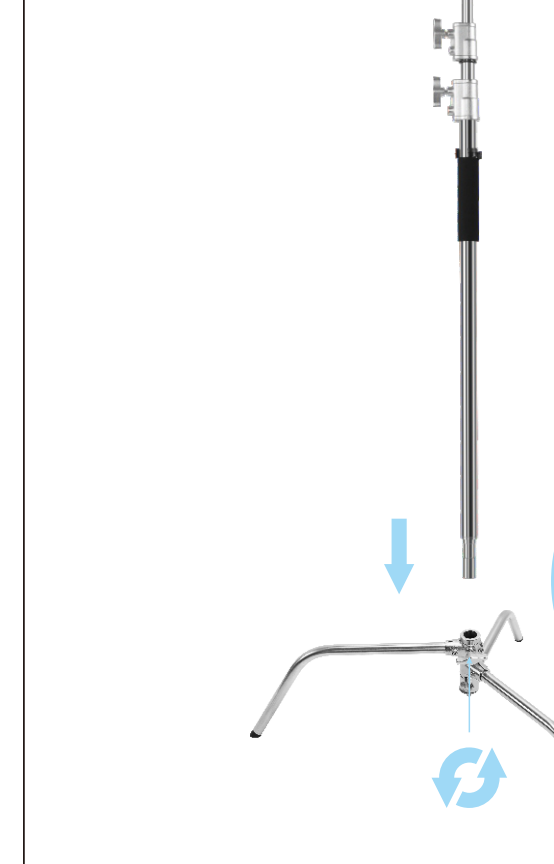
INSTALLATION METHOD

1 Pull the C-type magic foot open with strength.



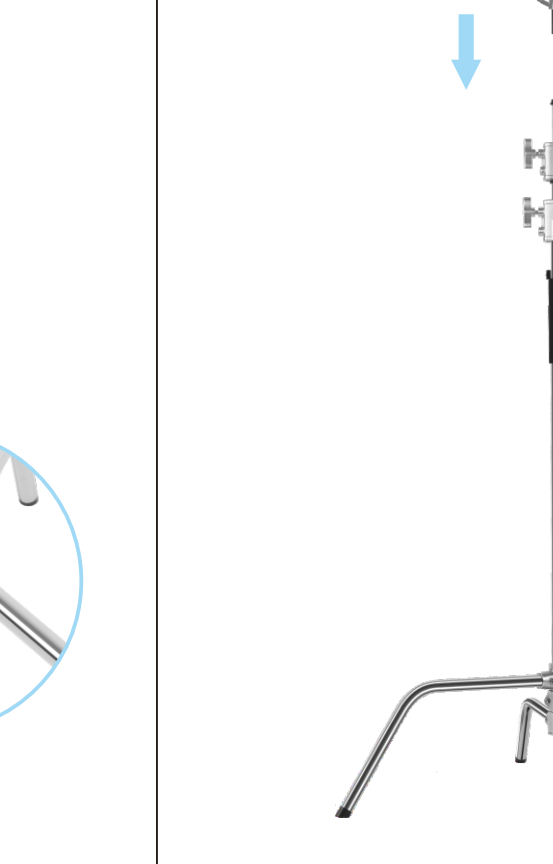
INSTALLATION METHOD

2 As shown in the figure, insert the main rod into the C-type magic leg, then install the locking rotary knob of the main rod on the C-type magic leg and tighten it, and lock the main rod on the C-type magic leg.



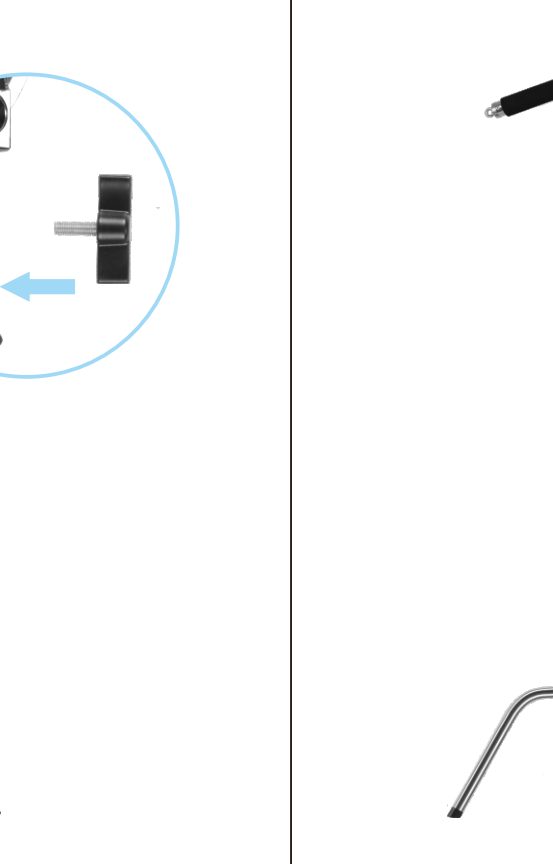
INSTALLATION METHOD

3 Install the cross-bar to the main bar as shown, and then install and tighten the cross rod locking rotary knob as shown.



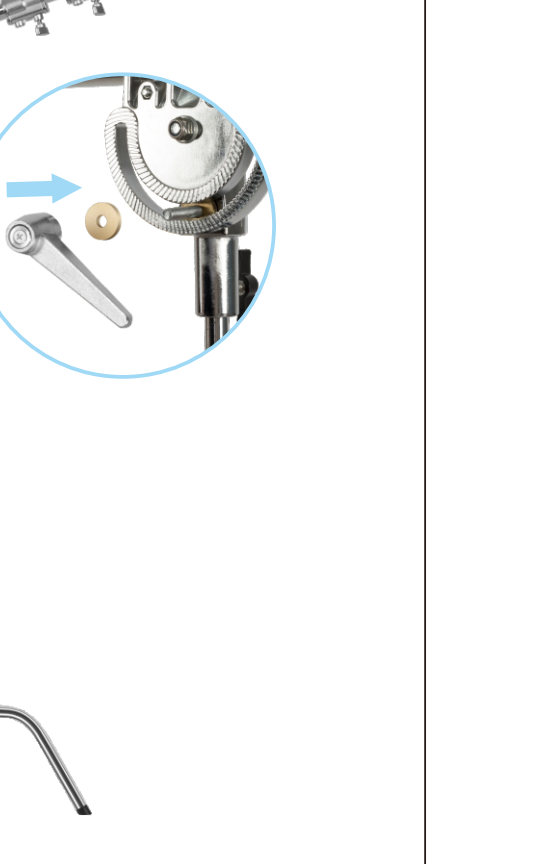
INSTALLATION METHOD

4 Install the angle locking rotary knob as shown in the figure, adjust the cross-bar to an appropriate angle, and tighten the angle locking rotary knob.



INSTALLATION METHOD

5 As shown in the figure, a heavy object bag can be hung at the end of the cross-bar of the C-Stand



PACKING LIST

Name	Quantity	Notes
Main rod	1	
Cross-bar	1	
Main rod locking rotary knob	1	
Cross-bar locking rotary knob	1	
Angle locking rotary knob	1	
Metal septa	1	
Heavy object bag	1	
Instructions	1	