

# HuaKe



**U** SERIES  
HD LED DISPLAY SOLUTION  
**Indoor**



## U SERIES

- Direct To Wall Mounting
- Exact 16:9 Aspect Ratio
- Built-in Data & Power redundancy
- Module, PSU Totally Front Access Service
- Low Power Consumption, Noise Free
- Quick To Install And Easy To Maintain

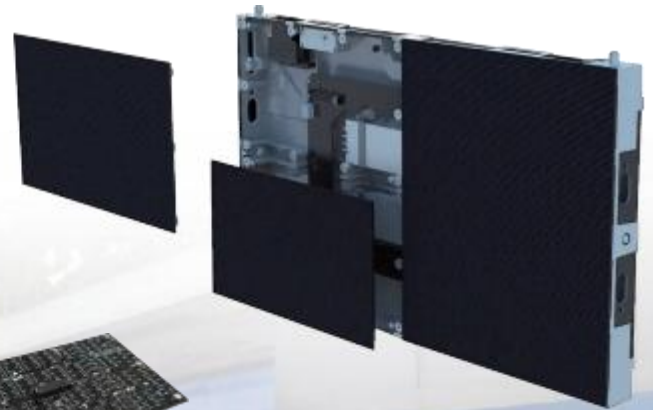




- Die Casing Aluminum Cabinet with high precision
- Seamless Connecion
- Ultra Slim Thickness to 45mm
- Fast Lock Design for Up-down, Left-right
- Secure connecion between cabinets
- Easy Installaion & Maintenance



- Strong Magneic Against Module Fall Down
- Entirely Front Access Service
- Cable Free External Design
- Cable Connectors Pass Through Cabinet

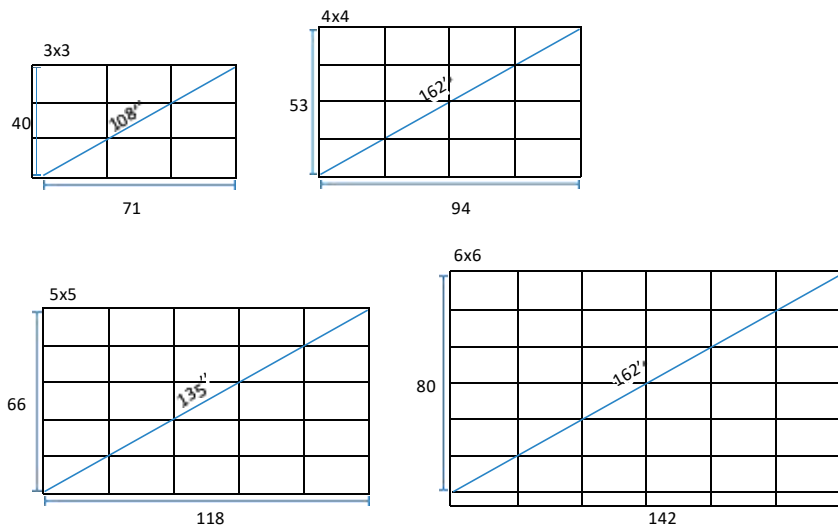


- Choose Flip Chip GOB/COB Protecive Against Humidity
- Shockproof, Staic Free & Ani-oil Stain
- Excellent Display Performance

U SERIES SCREEN DIMENSION



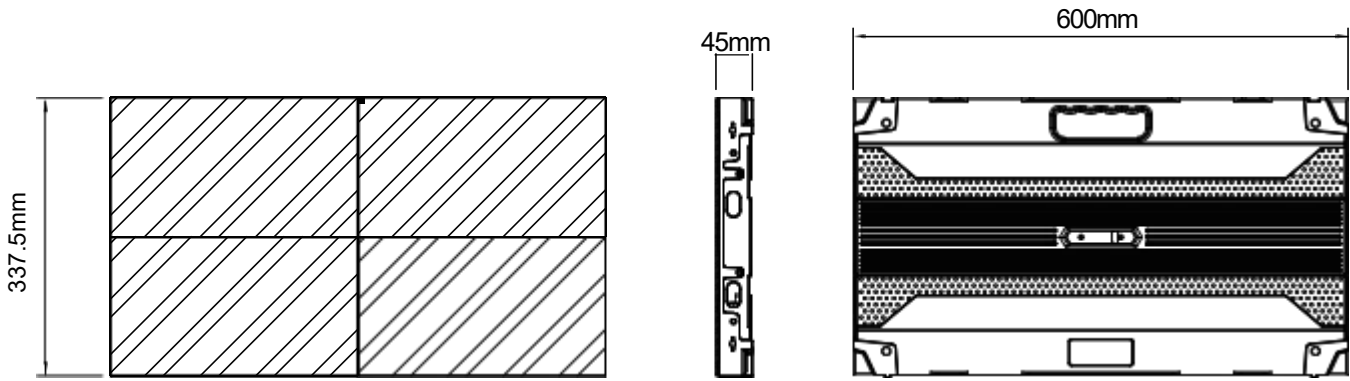
Typical Diagonal Dimensions



1920px x 1080px UHD AT VARIOUS PIXEL PTICHES

	0.9	1.2	1.5	1.8
Physical Pixel Pitch ( HxV) mm	0.9735	1.25	1.562	1.875
Panel Array	3x3	4x4	5 x 5	6x6
Pixel Screen Resolution (W/H) pixels	1920 / 1080			
Screen Dimension (W/H) mm	1800/1012.5	2400/1350	3000 /1687.5	3600/ 2025
Standard Screen Area m <sup>2</sup>	1.82	3.24	5.06	7.29
StandardScreen Weight kg	58.5	100.8	157.5	226.8
Diagonal Dimension ins	81	108	135	162

# PRODUCT SPECIFICATIONS



	ITEMS	U Series					
		MINI LED	SMD1010	SMD1010	SMD1010	SMD1010	SMD1515
Physical Parameters	LED Configuraion	MINI LED	SMD1010	SMD1010	SMD1010	SMD1010	SMD1515
	Pixel Pitch ( mm)	0.9375 (COB)	1.25	1.25 (COB)	1.562	1.562 (COB)	1.875
	Module Resoluion( dots)	320× 360	240×270	240×270	192×216	192×216	160×90
	Panel Resoluion( dots)	640× 360	480×270	480×270	384×216	384×216	320× 180
	Driving Mode(Scan)	30S	27S	30S	27S	36S	30S
	Pixel Density ( dots /m <sup>2</sup> )	1, 137,777	640000	640000	409600	409600	284444
	Module Size (W x H x D) /( mm)	300×337.5× 15	300×168.75× 15	300×337.5× 15	300×168.75× 15	300×337.5× 15	300×168.75× 15
	Panel Dimension (W x H x D) /( mm)	600×337.5×45	600×337.5×45	600×337.5×45	600×337.5×45	600×337.5×45	600×337.5×40
	Panel Material	Die- casing A luminum	Die- casing A luminum	Die- casing A luminum	Die- casing A luminum	Die- casing A luminum	Die- casing A luminum
	Panel Module Composiion(W x H)	2x1	2x2	2x1	2x2	2x1	2x2
	Panel Weight(Per/ kg)	6.5	6.3	6.5	6.3	6.5	6.3
	Module Weight( Per/kg)	1	0.45	1	0.45	0.5	0.45
Opical Processing	Minimum Viewing Distance	≥0.9 m	≥ 1.25 m	≥ 1.25 m	≥ 1.56m	≥ 1.56m	≥2.3m
	Cantrast	20000:1	20000:1	20000:1	20000:1	20000:1	1000 :1
	Color processing ( Bit)	13bit to 14bit	13bit to 16bit	13bit to 16bit	13bit to 16bit	13bit to 16bit	13bit to 16bit
	Grey Level	16384	16384	16384	16384	16384	16384
	Refresh Rate ( Hz)	≥ 1920Hz-3840Hz	≥ 1920Hz-3840Hz	≥ 1920Hz-3840Hz	≥ 1920Hz-3840Hz	≥ 1920Hz-3840Hz	≥3840h z
	Brightness ( nit)	700	700	600	700	600	700
	V iewing A ngle ( H/V)	160°/160°	160°/160°	170°/170°	160°/160°	170°/170°	160°/160°
Electrical Parameters	Input Voltage ( V)	AC 110V- 220V	AC 110V- 220V	AC 110V- 220V	AC 110V- 220V	AC 110V- 220V	AC 110V- 220V
	Input Power F requency (Hz)	50/60	50/60	50/60	50/60	50/60	50/60
	Max Power ( W/m <sup>2</sup> )	700	700	600	700	450	600
	Average Power ( W/m <sup>2</sup> )	300	230	250	230	225	200
Operating Environment	Storage Temperature ( C)	F rom - 10 to 40	F rom - 10 to 40	F rom - 10 to 40	F rom - 10 to + 40	F rom - 10 to + 40	F rom - 10 to + 40
	O peraing Temperature ( C)	F rom -20 to 50	F rom -20 to 50	F rom - 20 to 50	F rom - 20 to + 65	F rom - 20 to + 65	F rom - 20 to + 65
	Storage Humidity ( RH)	10%~90%	10%~90%	10%~90%	10%~90%	10%~90%	10%~90%
	O peraing Humidity ( RH)	10%~90%	10%~90%	10%~90%	10%~90%	10%~90%	10%~90%
	IP Raing	IP3X/IP31	IP3X/IP31	IP3X/IP31	IP3X/IP31	IP3X/IP31	IP3X/IP31
	Lifetime ( hrs)	100000	100000	100000	100000	100000	100000
	Usage E nvironment	Indoor F ixed Installaion	Indoor F ixed Installaion	Indoor F ixed Installaion	Indoor F ixed Installaion	Indoor F ixed Installaion	Indoor F ixed Installaion
	Panel Maintenance Method	F ront Maintenance	F ront Maintenance	F ront Maintenance	F ront Maintenance	F ront Maintenance	F ront Maintenance

\* U Series specificaions can be customized.



Professional LED Display Manufacturer  
Digital LED Display Solutions Provider

**HUAKE LIMITED**  
**ShenZhen HuaKe Light Electronics Co., Ltd.**

5F/ 1#, ChaXi SanWei Industrial Zone,  
GuShu, XiXiang, BaoAn  
ShenZhen, GuangDong,  
518126, China.

☎ (86) 133 0296 0992

✉ info@360digitalsignage.com

🌐 www.360digitalsignage.com

