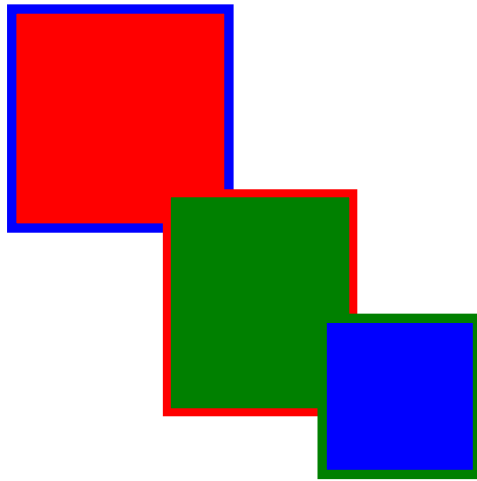


Outdoor
LED Light

使用说明书

User Manual



LED WALL WASHER LIGHT

YY-XQ36W-7068

Yunyeled ● Science ● Art ● Lighting

INSTRUCTION OF LED WALL WASHER

This product is mainly used for decorating and highlighting in building frame, garden, etc. It can work in independent mode and DMX mode, which can generate various color changing effects, such as flashing, fading, steady, seven color jumping synchronously etc. DMX256 class gray degree dimmer, DMX programable (thousands of effects available if many lights being connected together).

A.Specification:

A-1. Structure:

Materials of Shell: Aluminum alloy/6063

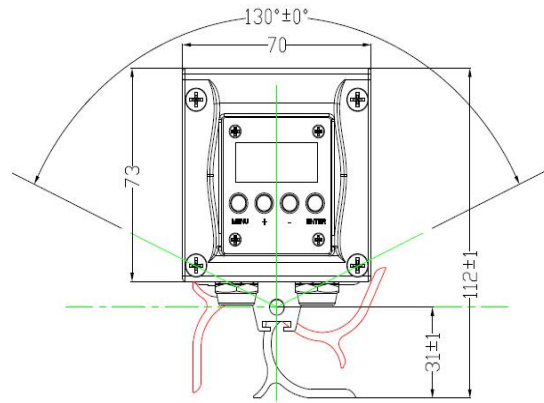
Rotary angle: 130°

Input Voltage: AC100-240V

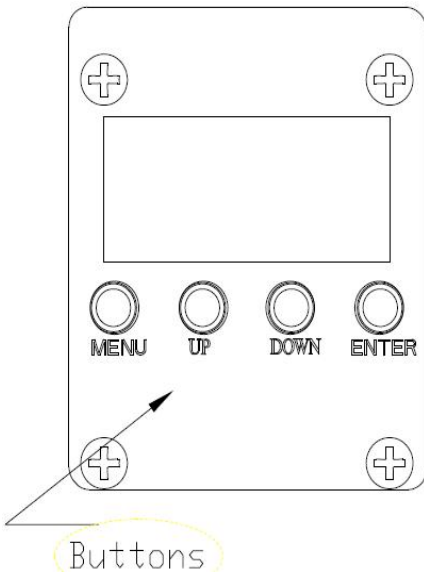
Operating Voltage: DC24V

Protecting Rating: IP65

Operating Temperature: -20°C~40°C



Angle adjustable 130° (-65°~0~65°)



KEYS INSTRUCTION



A-2. Model Configuration Table

Model No	LED Color	LED Quantity	Power Consumption	Beam Angle	Size (mm)	Weight
YY-XQ36W-7068	RGB	36	36	60°	L1000*W70*H68	3.3±5%kg

B. Working Mode:

B-1.Independent Mode: Choose the build-in programs via the buttons on the end cover.

B-2.DMX Mode: International standard DMX512 signal(IP65-IP68 connector).

B-3.Master/Slave Mode: Auto online and synchro working

C. Function & Setup

C-1. Independent Mode

☞ DMX MODE

3 Channels Mode

Channel	Function	Instruction
CH1	R Dimmer	Line Dimmer- Dark to Bright
CH2	G Dimmer	Line Dimmer- Dark to Bright
CH3	B Dimmer	Line Dimmer- Dark to Bright

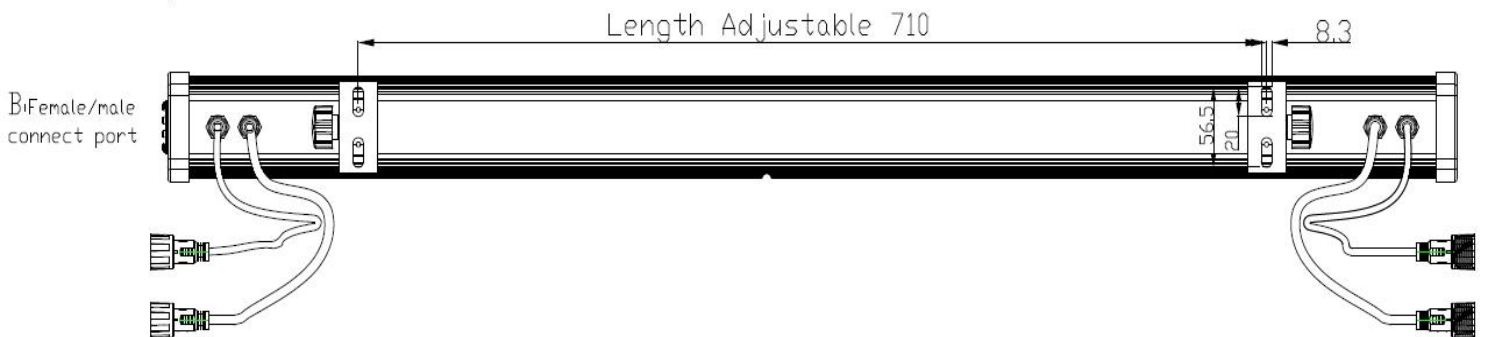
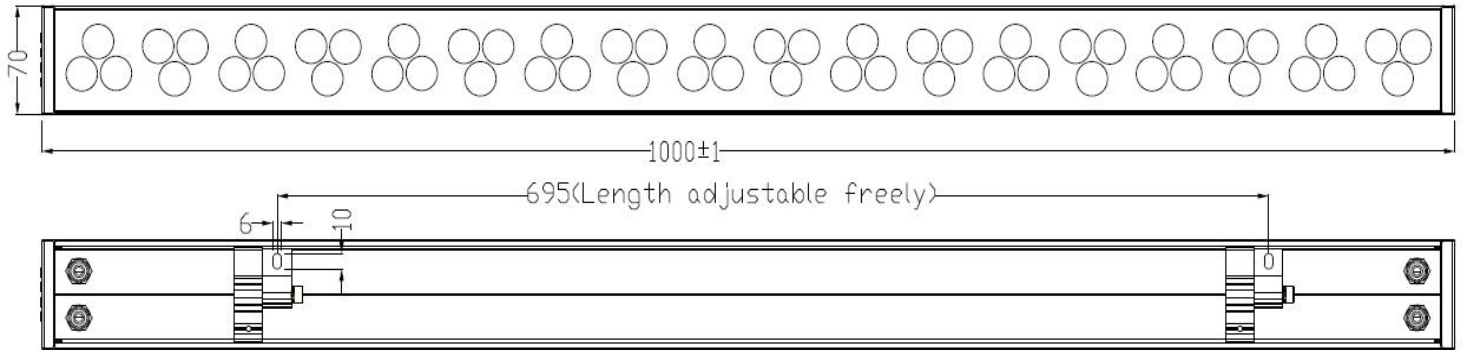
7 Channels Mode

Channel	Function	Instruction
CH1	Total Dimmer	RGB Total Line Dimmer- Dark to Bright
CH2	R Dimmer	Red Dimmer- Dark to Bright
CH3	G Dimmer	Green Dimmer- Dark to Bright
CH4	B Dimmer	Blue Dimmer- Dark to Bright
CH5	Total Strobe	RGB Total Flash Strobe- Slow to Fast
CH6	Function Choice	000~050: CH1-CH5 Control. 051~100: Different Colors output 101~150: Colors Jump Change. 151~200: Colors Gradate. 201~250: Colors Pulse Change. 251~255: Sound-Active
CH7	Function/Speed	Slow to Fast (At the Colors output choose the color)

☞ DIGITAL SHOW FUNCTION FORM

No	Show	Function	Value	Instruction
1	d001	DMX address	001~512	3CH mode,UP,DOWN increase or reduce the value
2	A001	DMX address	001~512	7CH mode UP,DOWN increase or reduce the value
3	r255	Red dim	000~255	UP,DOWN Change brightness
4	G255	Green dim	000~255	UP,DOWN Change brightness
5	b255	Blue dim	000~255	UP,DOWN Change brightness
6	F255	Strobe	010 ~ 255	UP,DOWN change the speed
7	CC15	Colors Jump	00 ~ 15	UP,DOWN change the speed
9	DE15	Colors Gradate	00 ~ 15	UP,DOWN change the speed
10	CP15	Colors Pulse	00 ~ 15	UP,DOWN change the speed
11	SoUd	Colors sound-	/	Sound-Active

D. Dimension Drawing (Unit:mm)

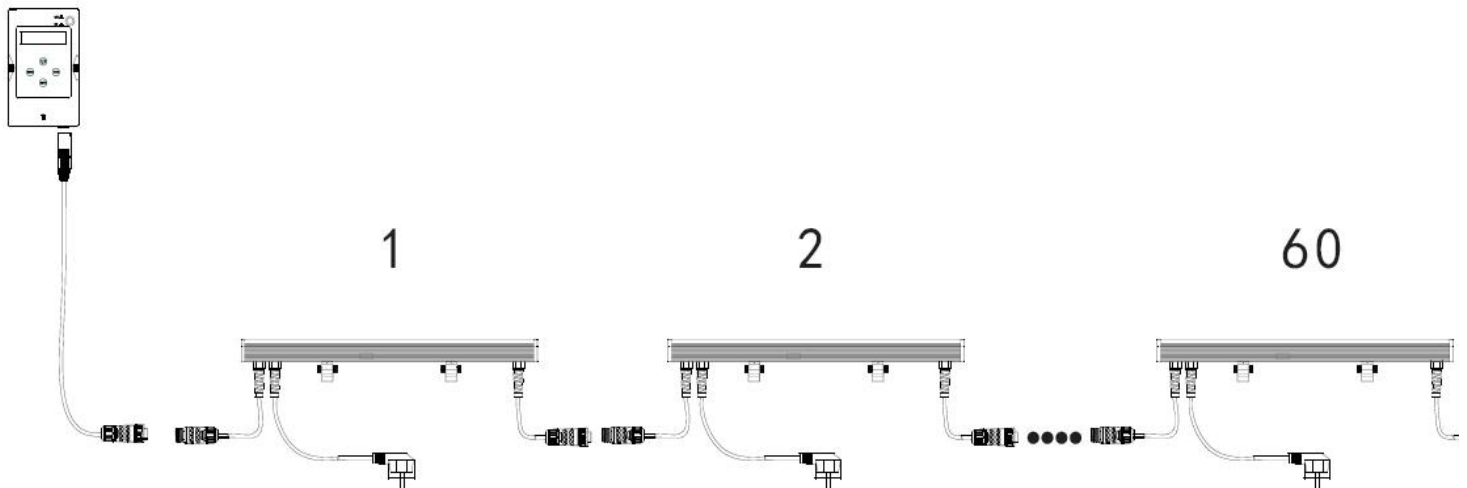


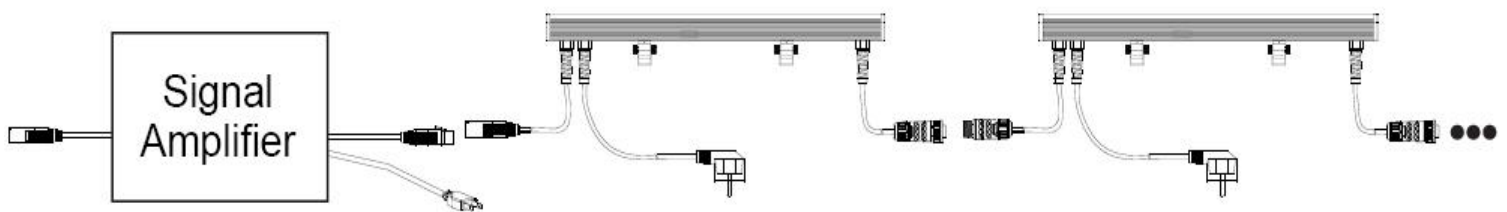
E .Connection

E -1. The maximum length for the Signal cable is 100m.

E -2. Optional controller: MASTER, DMX-192C, Madrix and other DMX controller.

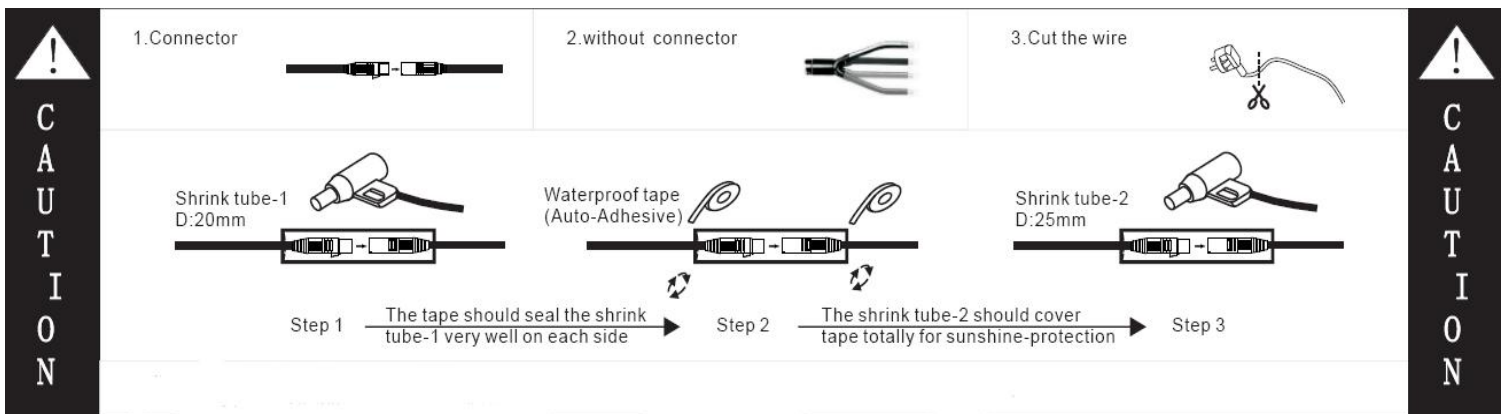
Master





Connection

F . Waterproof Treatment



Neglect on action of the above treatment will lead to failure of waterproof and proper work of the lights. Water can be sucked into the fixture via interior pipe of the cables after light be switched off, due to minus pressure!!!

*** Power connector should be treated in the same way if available!!!

*** IP68 connector does not require above treatment, but you connect a threaded twist quite well to prevent operational errors lead to joint water.

Caution:

1. Do not plug them into power when the product is still in package.
2. Don't use anything to cover the fixture during application.
3. Don't use this product in close environment.
4. If this product appears to be damaged, do not attempt to repair please contact your dealer.

Warning:

1. Neglect on action of the above treatment will lead to failure of waterproof and proper working of the lights!!! Make sure the ground connection well avoid electric shock, due to metal housing.

Note : The above instruction are subject to update or improved without notice. Pls turn to our staff for further details !

Thanks for your long term support !