

此页不印刷（本文件共24页）

SIZE:150mm X 240mm

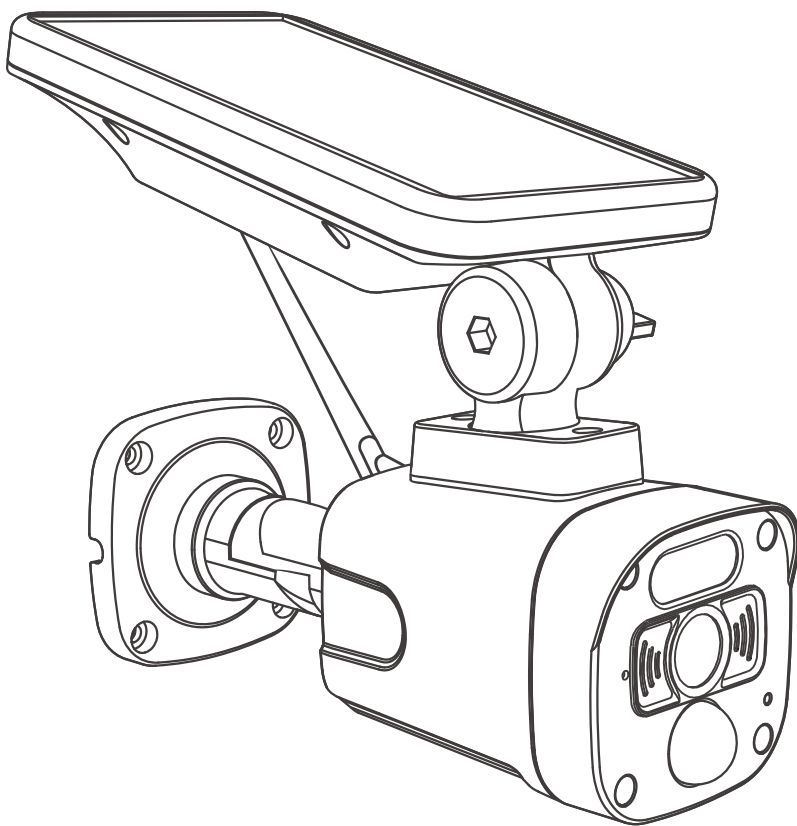
材质: 封面250g铜版纸 内页: 书纸

工艺: 封面过亚膜

 PANTONE Black C

注意：不要随便删减空白页（特别是封面内页不能出现印刷内容）

Battery Camera Kits



User Manual

Menu

Product Overview	1
Add the Camera Kits In the APP	6
1.Download the APP	6
2.Register	7
3.Power On the Camera	7
4.Connect the Base Station to local Network	8
5.Add the camera in the APP	9
6.Add a new Camera to the Base Station	9
Install the Camera on the wall	10
APP Function	12
1.Home Page	12
2.Preview	12
3.Playback	13
4.Setup	13
5.SD Card Recording	14
FAQs	15

If you have any questions or problems

Please contact us by

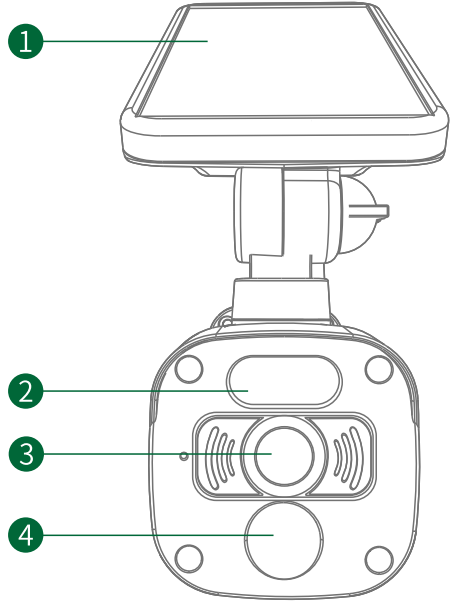
SC@yoomail.com

We will offer prompt and authoritative reply within 24 hours and try our best to resolve your problem ASAP.

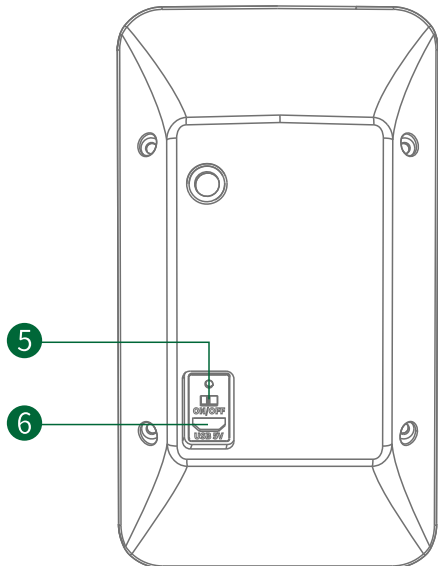
Product Overview

Camera:

- 1.Solar Power Panel
- 2.IR LED
- 3.Lens
- 4.PIR Sensor



- 5.Camera Power Switch
- 6.Micro USB Charging Port



7.Speaker

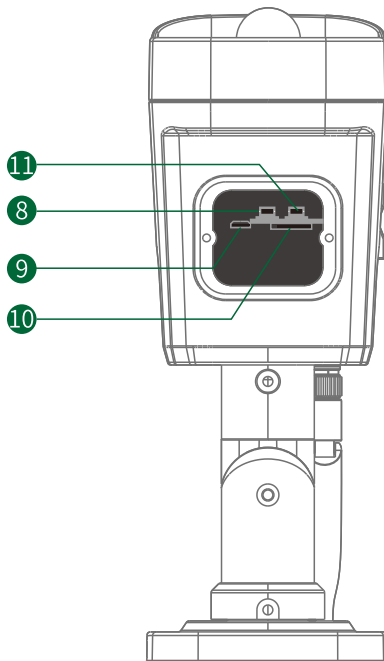
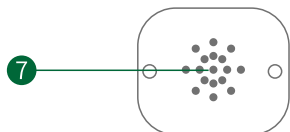
8.ON/OFF

9.Micro USB Port

10.Micro SD Card Slot

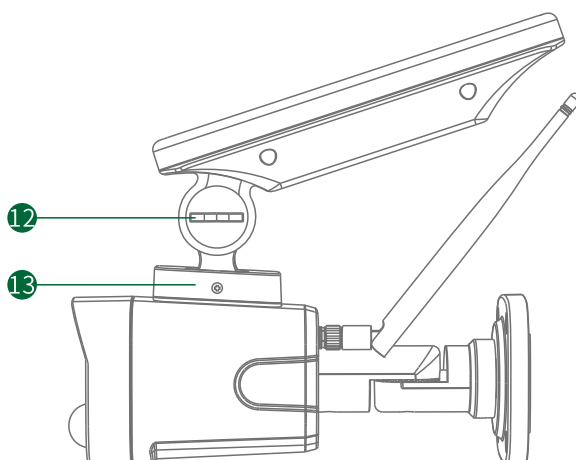
11.Reset

(Not Available when connected to the Base Station)



12:Vertical Adjustment

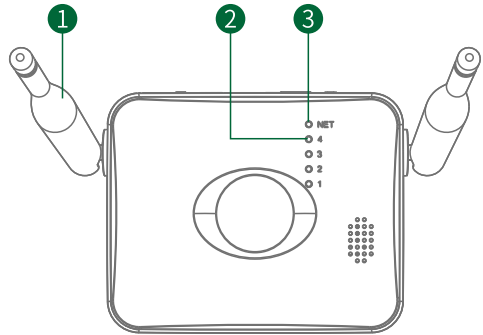
13:Horizontal Adjustment



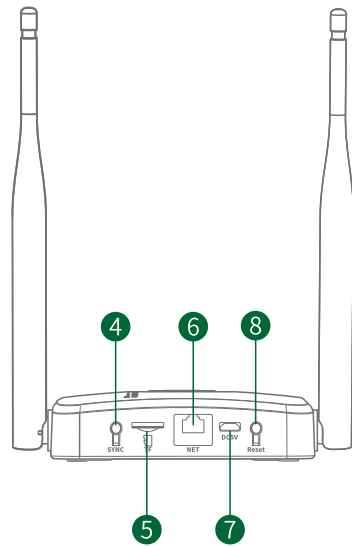
Power Switch	Turn ON / OFF the camera.
Reset Button	Reset the camera to default status, Used to match WiFi code with the Base Station

Base Station:

- 1. Antenna
- 2. Channel Indicator
- 3. Network Indicator

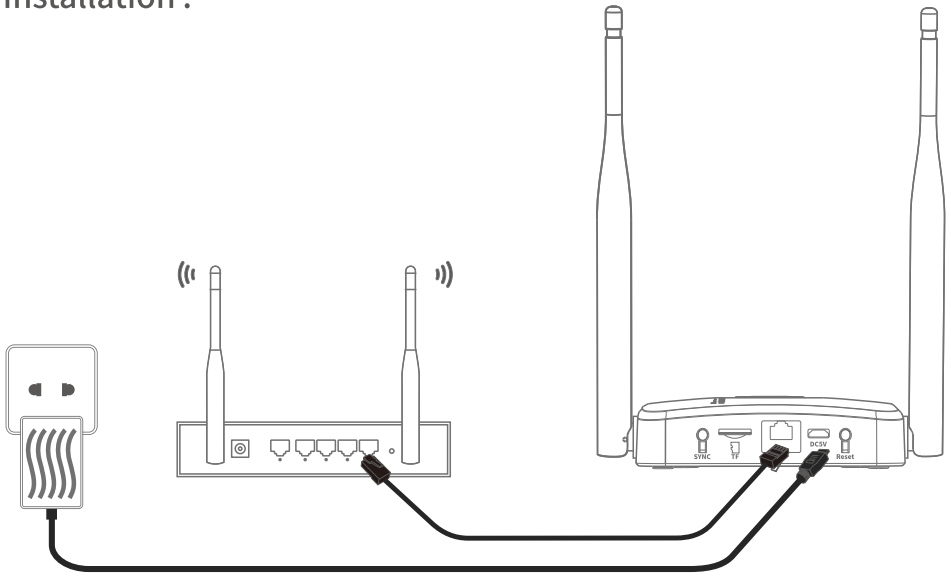


- 4. Sync Button
- 5. Micro SD Card Slot
- 6. RJ45 Port
- 7. DC 5V Power Supply
- 8. Reset Button



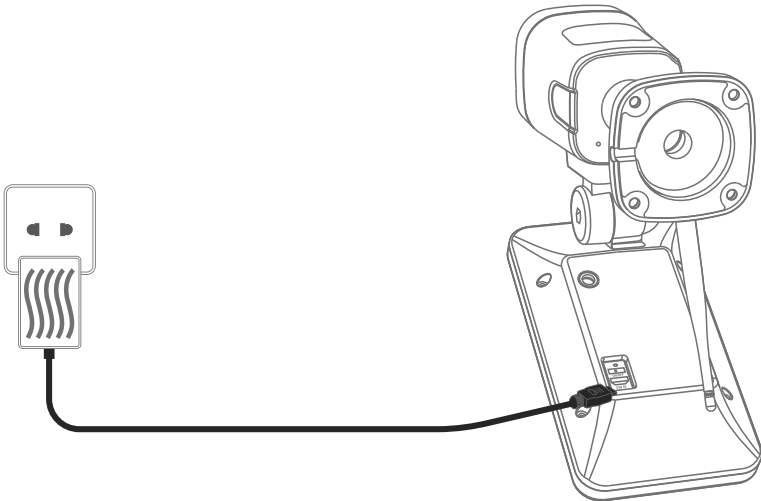
Sync Button	Match WiFi Code with the Camera, Used to add a new camera to the system.
Reset Button	Reset the Base Station to default status.

Installation :

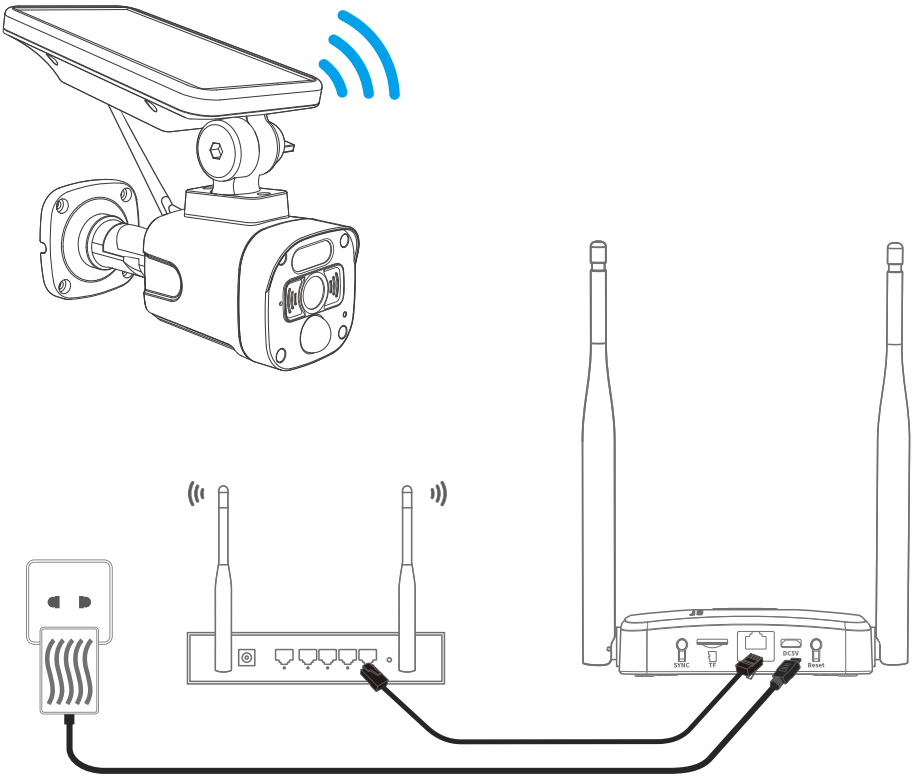


Notice:

The Base Station needs to be powered with the included power adapter constantly.



Please charge the Battery Camera with the included power adapter for at least 4 hours.



Notice:

To ensure the system's best performance and normal function, please pay attention to the following content:

1. Do not install the camera near a heat source.
2. Please make sure there is no reflecting object within 5 feet(1.5meters)range in front of the PIR sensor, otherwise the PIR might be interfered.
3. Try to avoid installing the camera on the busy roadside, frequent pedestrians and vehicles will wake up the camera frequently, resulting in frequent alarm messages and extremely fast power consumption.
4. Do not install the camera too far away from the router. The product needs a good Wi-Fi signal strength to work properly.

Add the Camera Kits In the APP

1.Download the APP

Scan the corresponding QR code for your phone, or search “CloudEye” in App Store or Google Play Store to get download and install the APP.



IOS



Android

NOTICE:

To ensure the APP' s normal function, please allow the Notification/Location permission on your smartphone.

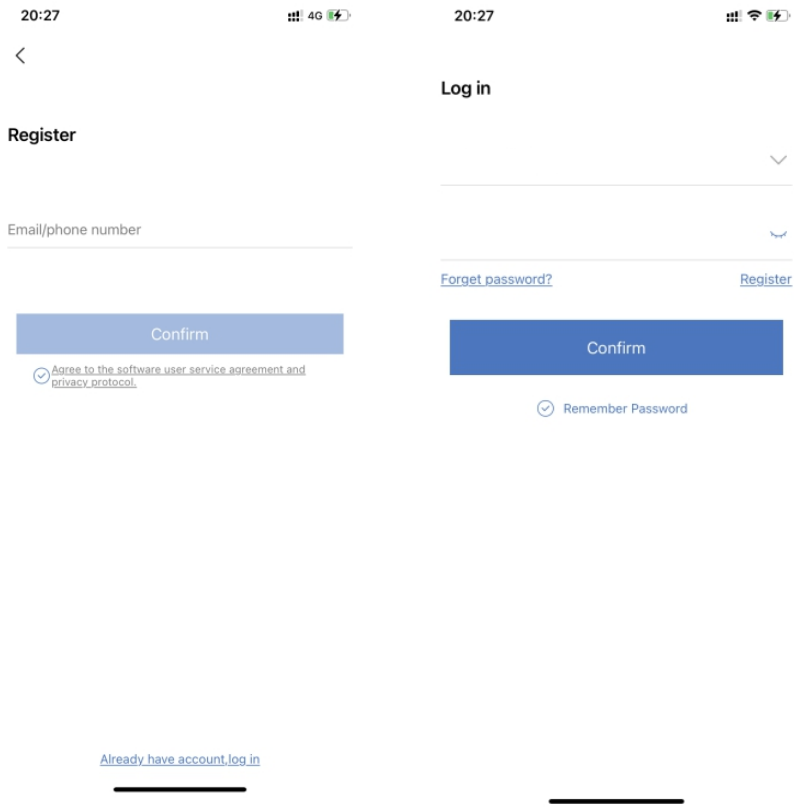
2.Register

Launch the APP CloudEye, and register with your Email address.

Notice:

Please use a available Email address.

Choose the right country code.



3.Power On the Camera and the Base Station

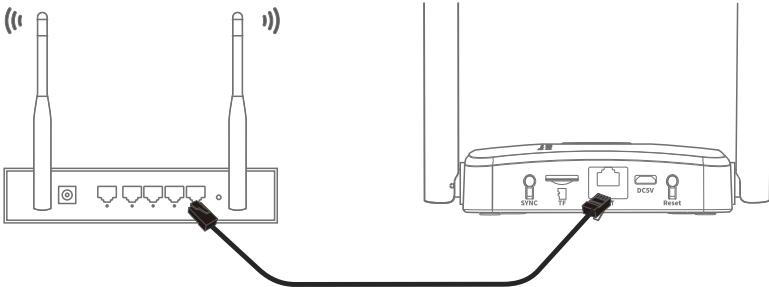
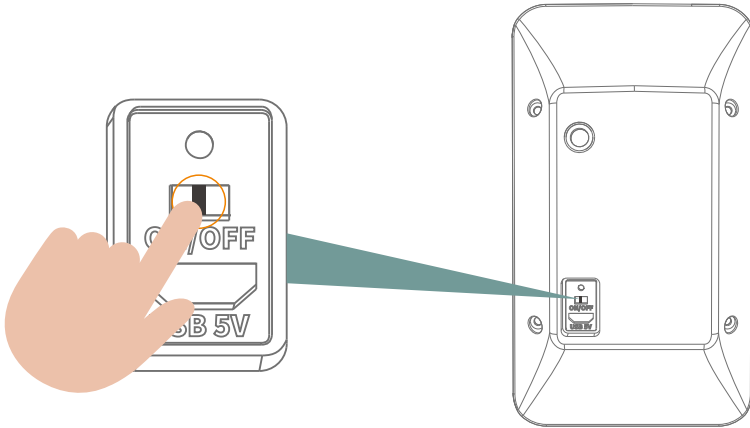
Power on the camera, and power the Base Station with the included power adapter, the Base Station will power on automatically.

NOTICE:

Please charge the camera with the included power adapter for 5 hours before using for the first time.

4. Connect the Base Station to local Network

Power on the Base Station and connect the Base Station to your router with the included Ethernet cable.



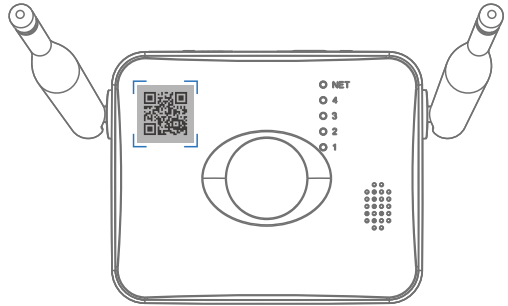
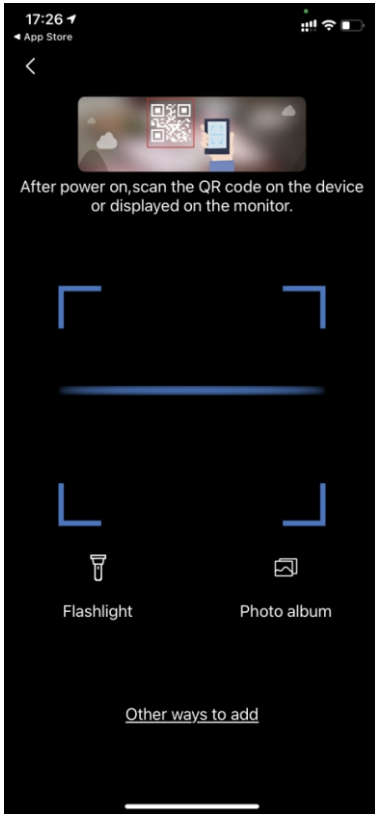
Notice:

Please make sure your router is using DHCP (Dynamic Host Configuration Protocol) for internet configuration, The Base Station only support DHCP. If your router is using static IP address, please visit our official website : <https://www.toguard.cc> and download the manual document for adjusting static IP address.

5.Add the Base Station in the APP

Make sure the Base Station is properly connected to the router, then launch the CloudEye APP, Click the “+” icon to add devices.

Scan the QR code on the Base Station to add the devices,

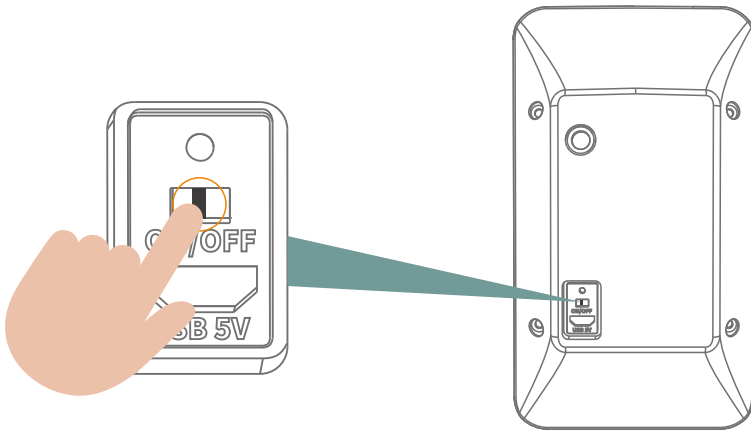


6.Add a New Camera to the Base Station

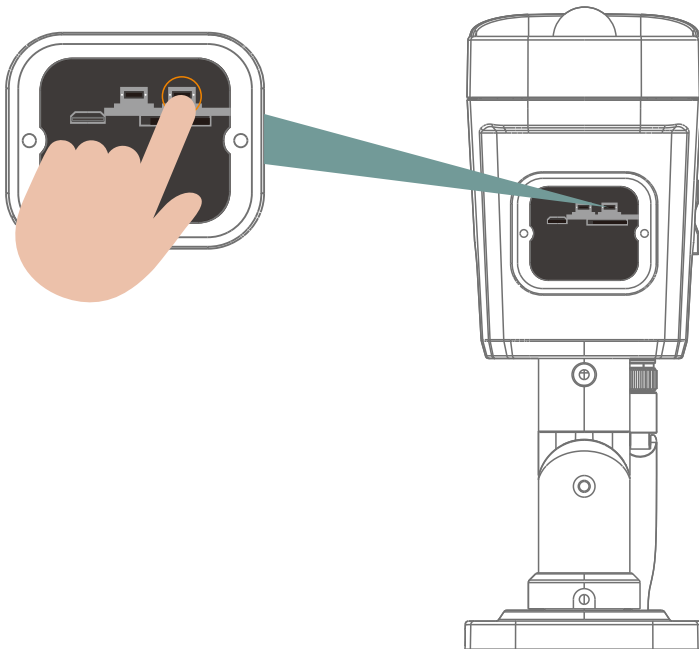
The Base station can connect up to 4 cameras, please follow these steps to add a new camera to the Base Station.

(If you want to reset the original camera in the kits, please follow these steps to add the camera again)

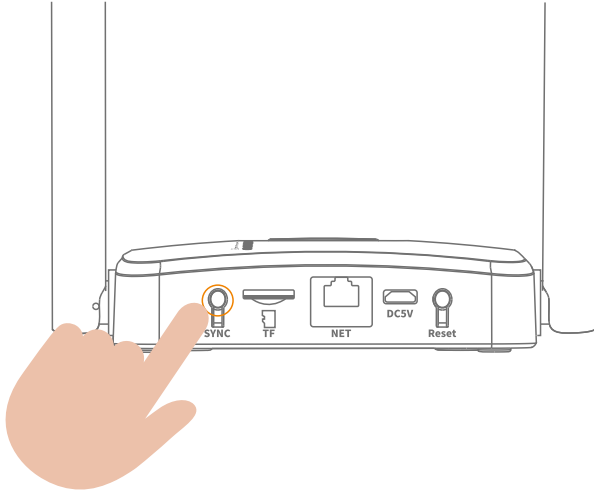
1. Turn on the camera.



2. Open the cover under the camera, Press and hold the Reset button for 5 seconds until the camera prompt "Reset successfully Start Matching code"



3. Press and hold the “Sync” button on the Base Station for 5 seconds to start matching code. The Base Station prompt “Matching code will be done once you heard the voice prompt”



4. Within 1 minutes, the Camera prompt “Matching Code Succeed” and the Base Station prompt “WiFi Matching Succeed”

5. The camera is successfully added to the Base Station, you can change the configuration in the CloudEye APP.

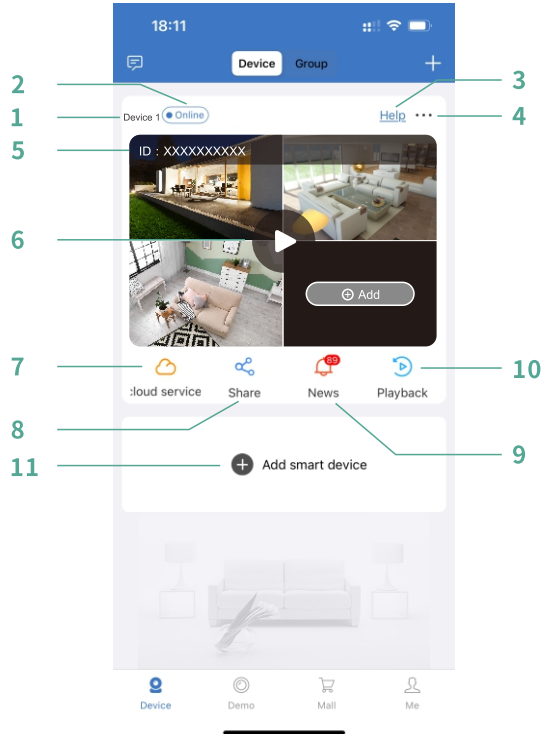
Notice:

If the Base Station The new device is not found, Try again.

APP Function

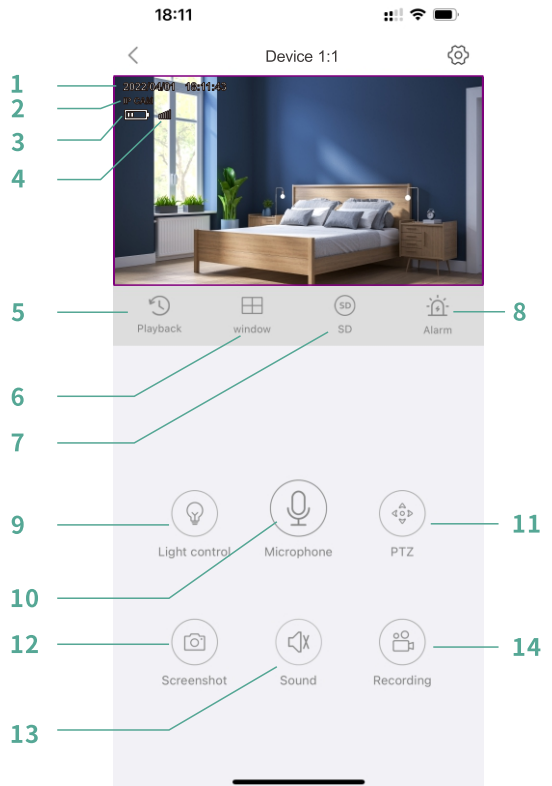
Home Page

1. Device name
2. Device status
3. Contact Customer Service
4. Edit device
5. ID information
6. Play button
7. Cloud service
8. Share Device
9. Alarm notification
10. Playback
11. Add new device



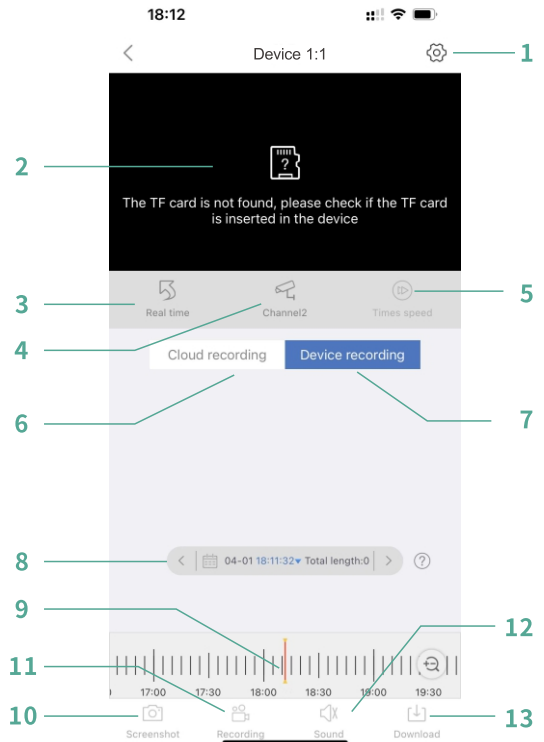
Preview

1. Time
2. Camera name
3. Battery level
4. Signal strength
5. Playback
6. Windows
7. Definition (SD/HD)
8. Alarm
9. Light control (full color mode requires camera support)
10. Microphone
11. PTZ Control (Camera support required)
12. Screenshot
13. Turn on/off the camera sound
14. Recording

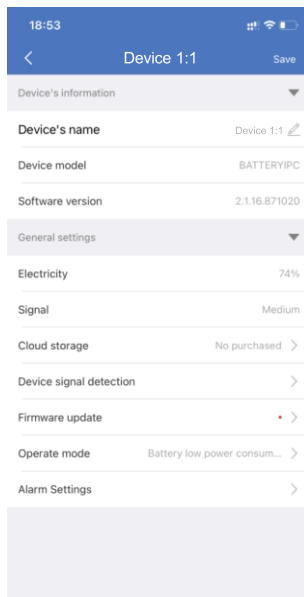


Playback

- 1.Camera Setup
- 2.Playback Window
- 3.Back to Real Time Wiew
- 4.Channel Switch
- 5.Playback Speed
- 6.Cloud playback
(requires activation)
- 7.Local playback
- 8.Playback time selection
- 9.Playback timeline
- 10.Screenshot
- 11.Recording
- 12.Turn on/off sound
- 13.Download Video



Setup



Device Name	Edit Device Name
Device Model	Default Model
Software Version	/
Electricity	Power Status
Signal	Signal Strength
Cloud Storage	Cloud Service Status
Device Signal Detection	Manual Check Signal Strength
Firmware Upgrade	Check For Firmware Update
Operate Mode	
Alarm Setting	

SD Card Recording

The camera support recording video on memory card,

Notice:

When the camera is connected to the Base Station, the card slot on the Camera will be disabled, all videos will be recorded in the memory card on the Base Station.

FAQs

1. If the phone receives alarm messages too frequently, the camera will consume battery power greatly. It is recommended to lower the motion detection sensitivity, set the alarm interval, and start the alarm plan.
2. If you find that there are no moving objects in the alarm picture that the phone frequently receives, it may be that there is a sensitive heat source in the motion detection range, which causes the PIR to be triggered by mistake. It is recommended to lower the motion detection sensitivity.
3. If you detect that someone is passing by the camera but cannot receive the alarm message, it is recommended to increase the motion detection sensitivity.
4. If you find that the alarm picture or video is delayed, or you can only see the back of people, it is recommended to increase the motion detection sensitivity.
5. The PIR sensor will be disturbed by the ambient temperature. It is recommended to increase the motion detection sensitivity in a hot environment, and decrease the motion detection sensitivity in a cold environment. At the same time, when the temperature is extremely low, heavy clothes will hinder PIR sensor detection.
6. The ultraviolet rays of the sun will interfere with the PIR sensor. When the PIR of the camera is directly facing the strong sun, there is a probability that the alarm will not be sensitive.

The device prompts offline?

- 1) Check whether the equipment is in the power-on state, and observe whether the working light of the equipment is on normally.
- 2) Check whether the WIFI network is in good condition and restart the router.
- 3) If the device is located far away from the router, which results in the inability to obtain a good WIFI signal, it is recommended to move the router to a closer place or add a WIFI amplifier to improve the WIFI performance of the home.
- 4) Delete the floodlight camera from your CloudEye account and add it again after resetting the device.
- 5) Check whether the device firmware and application program are the latest version.

Update router or WIFI password?

Delete the camera from your CloudEye account. After resetting the device, use the new WIFI or password to add it again.

Alarm push frequently?

1. In the app, lower the sensitivity of the motion detection alarm.
2. Check whether there are objects that interfere with and trigger the PIR sensor in the field of view of the equipment, such as the outdoor unit of the air conditioner, driving cars, passing pedestrians, etc. The angle of the device can be adjusted appropriately to avoid these easily disturbing objects

The phone cannot receive the alarm push?

1. Set in the mobile phone system and enable the push permission of the "CloudEye" application.
2. Make sure the device's motion detection function is successfully turned on.
3. Restart the phone, and the Android phone tries to clear the cache.
4. Check whether the network is good.

