

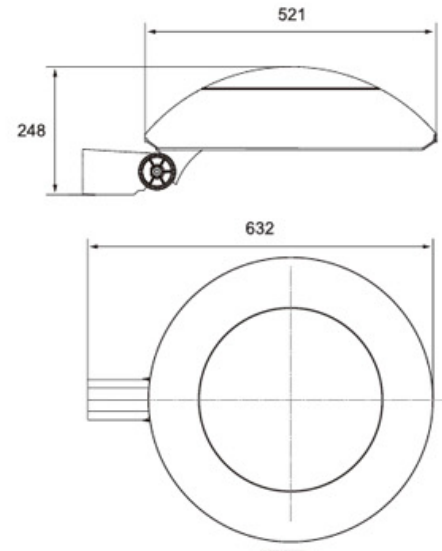


TECHNICAL SPECIFICATIONS

Product Name:	Ston
Power:	100W/120W/150W
Supply voltage range:	100-305VAC
Temperature range:	-25°C /+55°C
Light guiding system:	PC lenses
Light source:	LUXEON 3030
Luminous intensity class:	Symmetrical:G2/Asymmetrical:G1
Glare index class:	D6
Colour temperature:	3000K-6500K
Colour Rendering Index:	CRI>80
System efficacy:	Luxeon:113lm/w Cree-XTE:119.8lm/w GREE XP-G3:121lm/w
LED Lifetime:	MIN 50,000hours
Power Efficiency:	92%
Current Adjustment Range:	100W 1.33-2.66A /150W 2.1-4.17A
Lightning protection:	10KV
Housing material:	Die-cast aluminum
Sealing material:	Silicone rubber
Cover material:	Tempered glass
Housing colour:	Light Grey.Dark Grey.Black(or specified color)
Wind resistance:	0.144m ²
Protection class:	IP66
Shock protection:	IK09
Corrosion resistance:	C5
Mounting diameter option:	Ø60mm
Suggested mounting height:	5-12m
Dimension(L*W*H):	Ø521mm,L*H:632*228mm

Ston A





LED chips: 3030

Order code	No.LED	Current	Connected load (W)	Temperature color	Luminous Flux of the luminaire(lm) -4000k(T=85℃)	CRI
1601	108	350ma	38	2700K-6500K	≥4180	>80
		700ma	75	2700K-6500K	≥8250	>80
		800ma	90	2700K-6500K	≥9900	>80
1602	144	350ma	50	2700K-6500K	≥5500	>80
		700ma	100	2700K-6500K	≥11000	>80
		800ma	120	2700K-6500K	≥13200	>80
1603	192	350ma	67	2700K-6500K	≥6930	>80
		700ma	133	2700K-6500K	≥13750	>80
		800ma	160	2700K-6500K	≥16500	>80



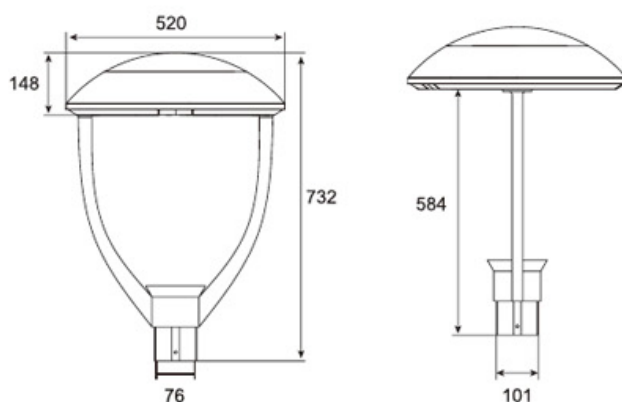


Ston B



TECHNICAL SPECIFICATIONS

Product Name:	Ston B
Power:	100W/120W/150W
Supply voltage range:	100-305VAC
Temperature range:	-25°C /+55°C
Light guiding system:	PC lenses
Light source:	LUXEON 3030
Luminous intensity class:	Symmetrical:G2/Asymmetrical:G1
Glare index class:	D6
Colour temperature:	3000K-6500K
Colour Rendering Index:	CRI>80
System efficacy:	Luxeon:113lm/w Cree-XTE:119.8lm/w GREE XP-G3:121lm/w
LED Lifetime:	MIN 50,000hours
Power Efficiency:	92%
Current Adjustment Range:	100W 1.33-2.66A/150W 2.1-4.17A
Lightning protection:	10KV
Housing material:	Die-cast aluminum
Sealing material:	Silicone rubber
Cover material:	Tempered glass
Housing colour:	Light Grey.Dark Grey.Black(or specified color)
Wind resistance:	0.144m ²
Protection class:	IP66
Shock protection:	IK09
Corrosion resistance:	C5
Mounting diameter option:	Ø76mm
Suggested mounting height:	5-12m
Dimension(L*W*H):	Ø521mm, L*H:732*520mm



LED chips: 3030

Order code	No.LED	Current	Connected load (W)	Temperature color	Luminous Flux of the luminaire(lm) -4000k(T=85 C)	CRI
1701	108	350ma	38	2700K-6500K	≥4180	>80
		700ma	75	2700K-6500K	≥8250	>80
		800ma	90	2700K-6500K	≥9900	>80
1702	144	350ma	50	2700K-6500K	≥5500	>80
		700ma	100	2700K-6500K	≥11000	>80
		800ma	120	2700K-6500K	≥13200	>80
1703	192	350ma	67	2700K-6500K	≥6930	>80
		700ma	133	2700K-6500K	≥13750	>80
		800ma	160	2700K-6500K	≥16500	>80

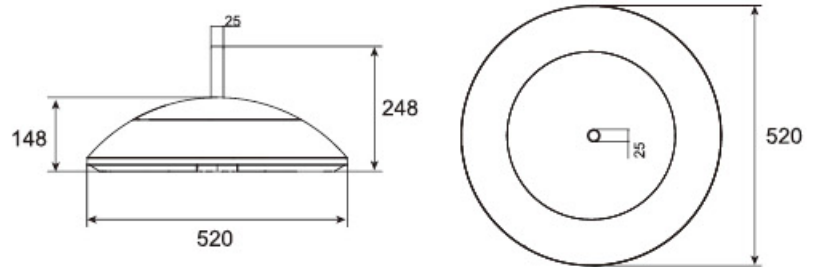


TECHNICAL SPECIFICATIONS

Product Name:	Ston C
Power:	100W/120W/150W
Supply voltage range:	100-305VAC
Temperature range:	-25°C /+55°C
Light guiding system:	PC lenses
Light source:	LUXEON 3030
Luminous intensity class:	Symmetrical:G2/Asymmetrical:G1
Glare index class:	D6
Colour temperature:	3000K-6500K
Colour Rendering Index:	CRI>80
System efficacy:	Luxeon:113lm/w Cree-XTE:119.8lm/w GREE XP-G3:121lm/w
LED Lifetime:	MIN 50,000hours
Power Efficiency:	92%
Current Adjustment Range:	100W 1.33-2.66A /150W 2.1-4.17A
Lightning protection:	10KV
Housing material:	Die-cast aluminum
Sealing material:	Silicone rubber
Cover material:	Tempered glass
Housing colour:	Light Grey.Dark Grey.Black(or specified color)
Wind resistance:	0.144m ²
Protection class:	IP66
Shock protection:	IK09
Corrosion resistance:	C5
Mounting diameter option:	Ø25mm,Ø33mm
Suggested mounting height:	5-12m
Dimension(L*W*H):	Ø521mm,H:248mm

Ston C





LED chips: 3030

Order code	No.LED	Current	Connected load (W)	Temperature color	Luminous Flux of the luminaire(lm) -4000k(T=85 C)	CRI
1801	108	350ma	38	2700K-6500K	≥4180	>80
		700ma	75	2700K-6500K	≥8250	>80
		800ma	90	2700K-6500K	≥9900	>80
1802	144	350ma	50	2700K-6500K	≥5500	>80
		700ma	100	2700K-6500K	≥11000	>80
		800ma	120	2700K-6500K	≥13200	>80
1803	192	350ma	67	2700K-6500K	≥6930	>80
		700ma	133	2700K-6500K	≥13750	>80
		800ma	160	2700K-6500K	≥16500	>80