

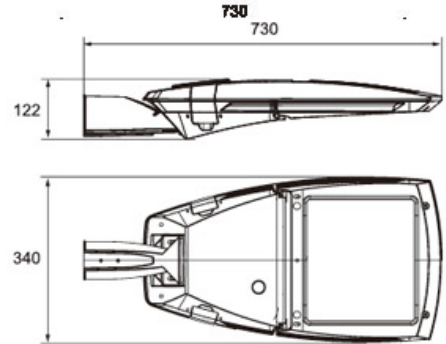
TECHNICAL SPECIFICATIONS

Product Name:	Sakhalin
Power:	MINI 100W/MAXI 200W
Supply voltage range:	100-305VAC
Temperature range:	-25°C /+55°C
Light guiding system:	PC lenses
Light source:	LUXEON 3030/CREE-XTE
Luminous intensity class:	Symmetrical:G2/Asymmetrical:G1
Glare index class:	D6
Colour temperature:	3000K-6500K
Colour Rendering Index:	CRI>80
System efficacy:	Luxeon:113lm/w Cree-XTE:119.8lm/w GREE XP-G3:122.9lm/w
LED Lifetime:	MIN 50,000hours
Power Efficiency:	92%
Current Adjustment Range:	350mA-700mA
Lightning protection:	10KV
Housing material:	Die-cast aluminum
Sealing material:	Silicone rubber
Cover material:	Tempered glass
Housing colour:	Light Grey.Dark Grey.Black(or specified color)
Wind resistance:	0.11m ²
Protection class:	IP66
Shock protection:	IK09
Corrosion resistance:	C5
Suggested mounting height:	5-12m

Sakhalin



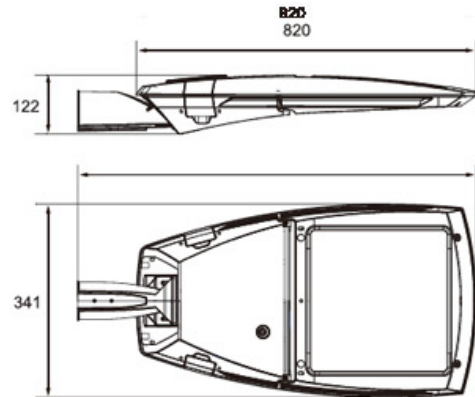
Sakhalin -mini



LED chips: 3030

Order code	No.LED	Current	Connected load (W)	Temperature color	Luminous Flux of the luminaire(lm) -4000k(T=85℃)	CRI
1501	72	350ma	25	2700K-6500K	≥2750	>80
		700ma	50	2700K-6500K	≥5500	>80
		800ma	60	2700K-6500K	≥6600	>80
1502	108	350ma	38	2700K-6500K	≥4180	>80
		700ma	75	2700K-6500K	≥8250	>80
		800ma	90	2700K-6500K	≥9900	>80

Sakhalin -maxi



LED chips: 3030

Order code	No.LED	Current	Connected load (W)	Temperature color	Luminous Flux of the luminaire(lm) -4000k(T=85℃)	CRI
1503	144	350ma	50	2700K-6500K	≥5500	>80
		700ma	100	2700K-6500K	≥11000	>80
		800ma	120	2700K-6500K	≥13200	>80
1504	180	350ma	63	2700K-6500K	≥6930	>80
		700ma	125	2700K-6500K	≥13750	>80
		800ma	150	2700K-6500K	≥16500	>80
1505	240	350ma	84	2700K-6500K	≥9240	>80
		700ma	165	2700K-6500K	≥18150	>80
		800ma	200	2700K-6500K	≥22000	>80