



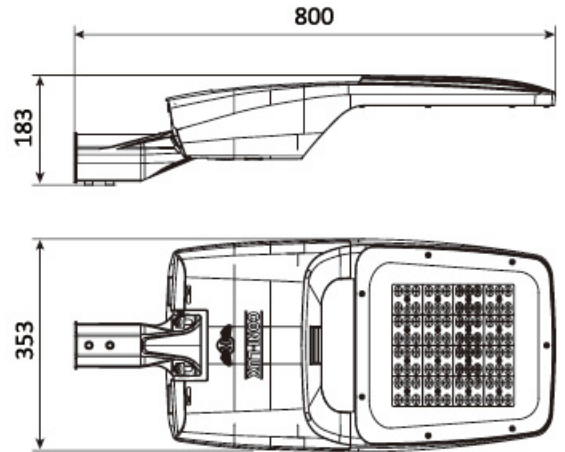
TECHNICAL SPECIFICATIONS

Product Name:	CONILUX
Power:	Mini:150w / maxi:200w
Supply voltage range:	100-305VAC
Temperature range:	-25°C / +55°C
Light guiding system:	PC lenses
Light source:	LUXEON 3030
Luminous intensity class:	Asymmetrical: G1
Glare index class:	D6
Colour temperature:	2700K-6500K
Colour Rendering Index:	CRI>80
System efficacy:	≥110 lm/W
LED Lifetime:	MIN 50,000 hours
Power Efficiency:	≥92%
Lightning protection:	10KV
Housing material:	Die-cast aluminum
Sealing material:	Silicone rubber
Cover material:	Tempered glass
Housing colour:	Light Grey,Dark Grey,Black(or specified color)
Wind resistance:	Mini : 0.0612 m ² / Maxi : 0.0631 m ²
Protection class:	IP66
Shock protection:	IK09
Corrosion resistance:	C5
Mounting diameter option:	Ø60mm
Suggested mounting height:	5-12m
Dimension (L x W x H):	Mini :800x353x183mm / Maxi :900x353x183mm
Net weight:	Mini : 5.2 KG / Maxi : 6.4 KG

Conilux



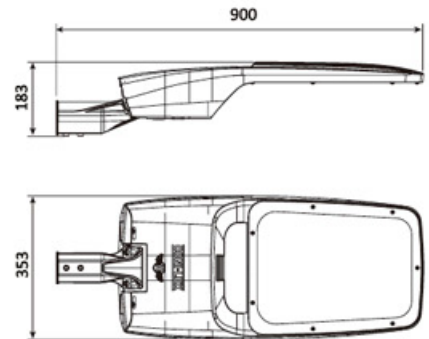
Conilux-mini



Luxeon 3030

Order code	No.LED	Connected load (W)	Temperature color	Luminous flux of the luminaire(lm) -4000k(Tj=85°C)	CRI	Input voltage	IK	IP
12001	144	50	2700-6500K	6250	>80	00-305Vac	IP66	IP66
		75		9000				
		100		11500				
		120		13200				
12002	192	75		9375				
		100		12000				
		120		13800				
		150		16500				

Conilux-maxi



Luxeon 3030

Order code	No.LED	Connected load (W)	Temperature color	Luminous flux of the luminaire(lm) -4000k(Tj=85°C)	CRI	Input voltage	IK	IP
12003	288	100	2700-6500K	12500	>80	00-305Vac	IP66	IP66
		120		14400				
		150		17250				
		200		22000				
12004	384	180		22500				
		200		24000				
		220		25300				
		250		27500				