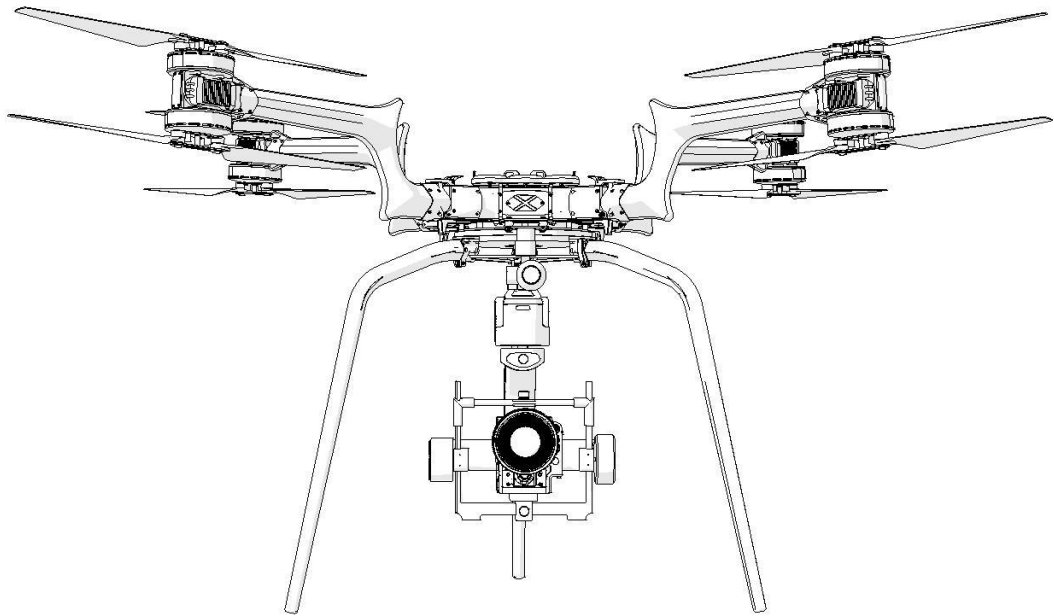


# InfiniteBlade X8

Quick Start Guide

V 1.0

2023.1



Aviation

# InfiniteBlade X8

## introductions

InfiniteBlade X8 is the Aviation latest reliable X8 Coaxial configuration multicopter, it is specifically designed for large payload systems with fast response performance, such as lidar mapping with high pitch angle mission flight, as well as cinematography.

Each arm is user serviceable, and foldable, as well as easy replaceable, as well as easy for maintenance.

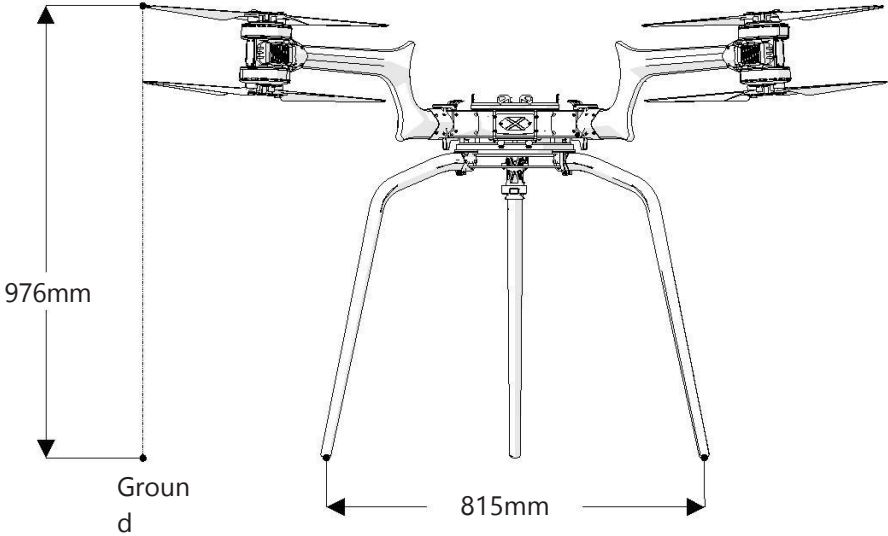
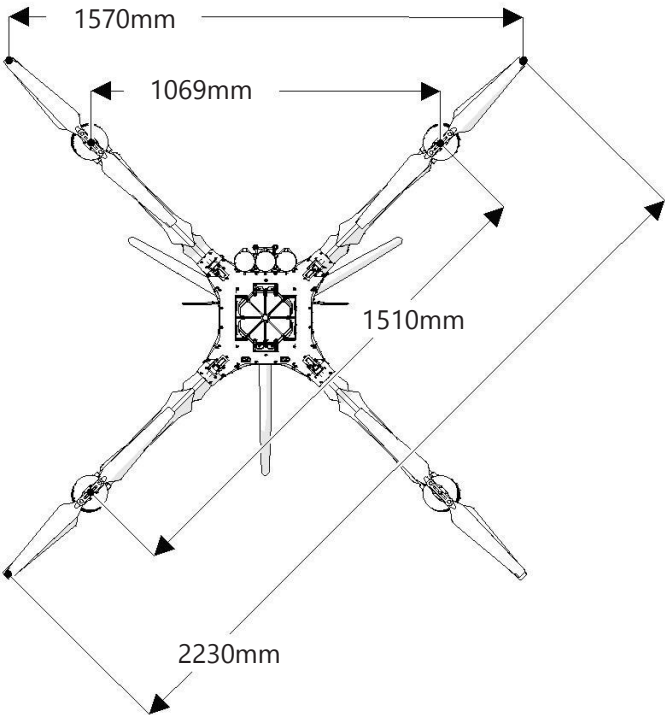
InfiniteBlade X8 is absolutely powerful, reliable, efficient and offers mechanical redundancy.

## Functions

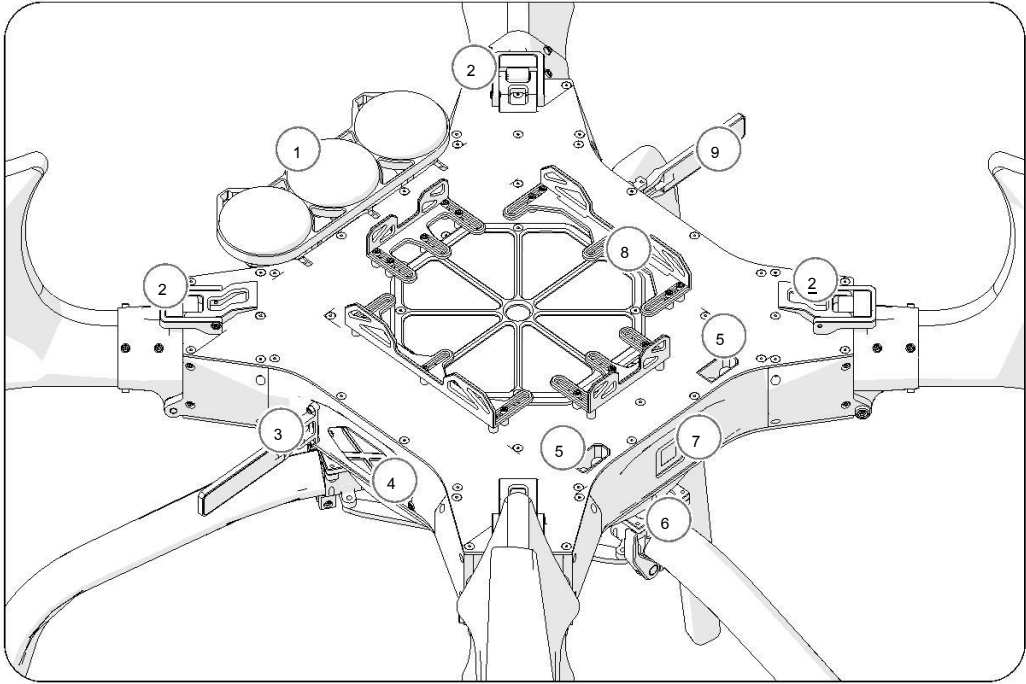
InfiniteBlade X8 features:

1. Compatible with any flight controller systems, such as DJI A3pro or Pixhawk PX4 or industrial /military grade autopilot systems.
2. Payload interchangeable – it can swap payload system easily, such as lidar mapping system, nadir oblique mapping cameras, as well as cinematography camera (RED).
3. Durable custom-made carbon fiber components with built-in power redundancy system.
4. Smart payload adopter which can be installed on top or bottom of Falcon X8.

# Specifications

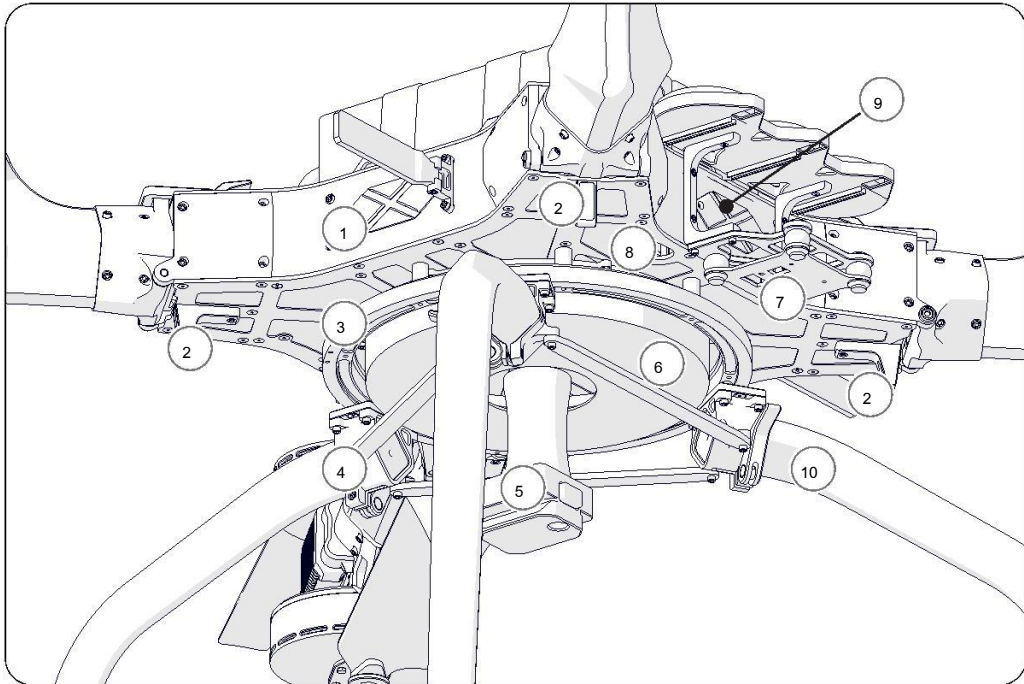


# Guide for Main Components



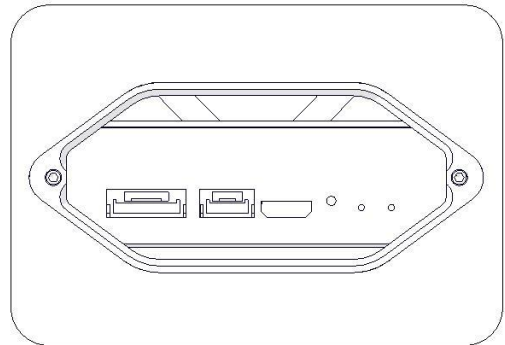
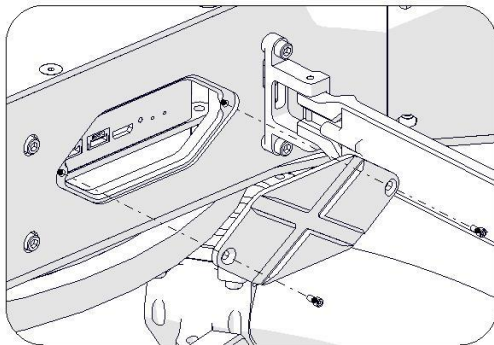
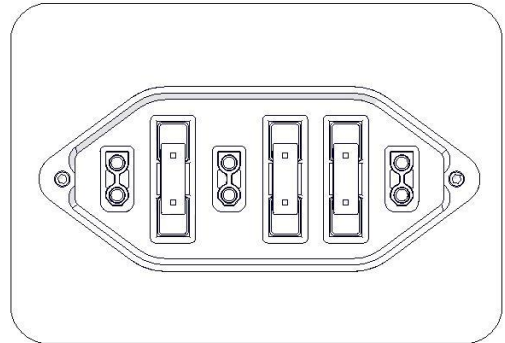
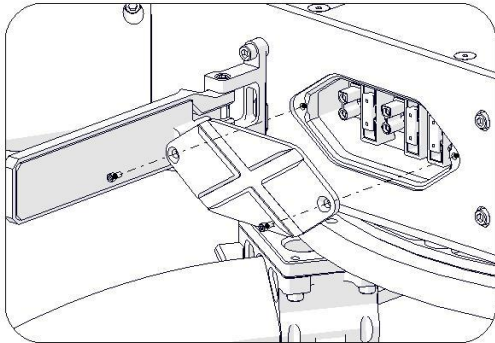
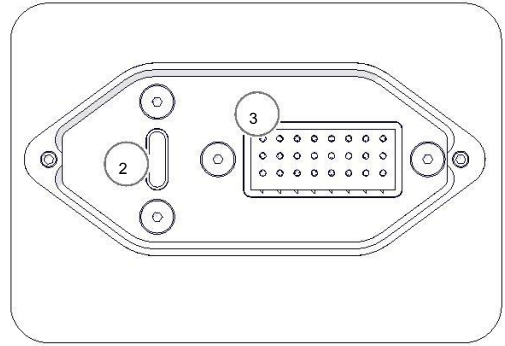
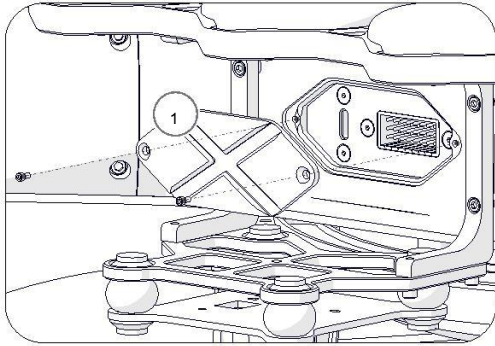
- 1. GPS Port
- 2. Arm folding and lock ;
- 3. Datalink (left) ;
- 4. DC Multi distribution hub ;
- 5. QS8 power connection ;
- 6. Landing gear
- 7. Indicators LED lights ;
- 8. Battery mount plate (adjustable) ;
- 9. Datalink (right)

## Guide for Main Components

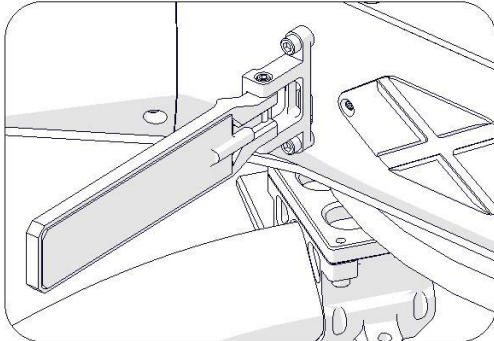
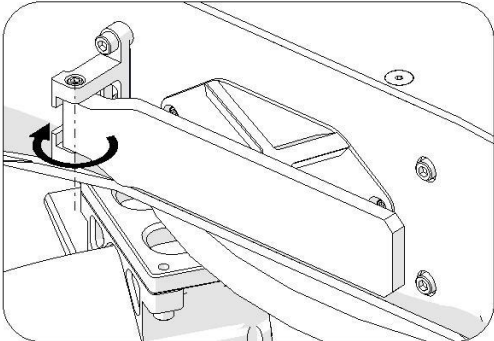
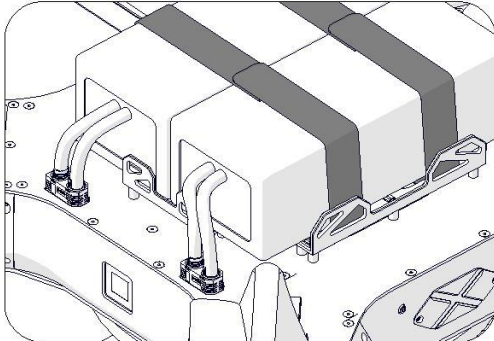
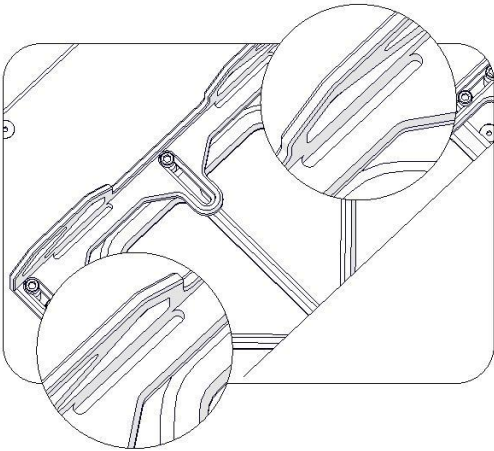
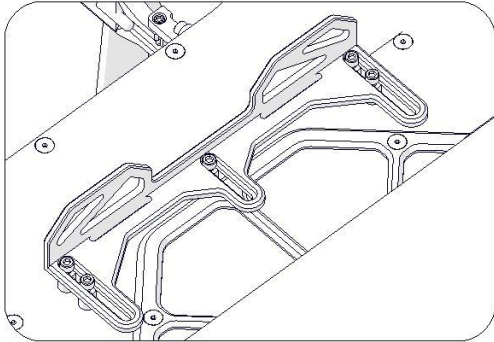
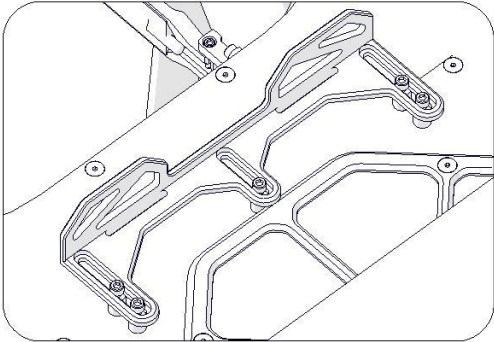


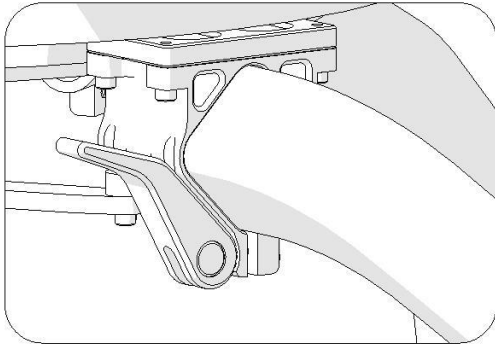
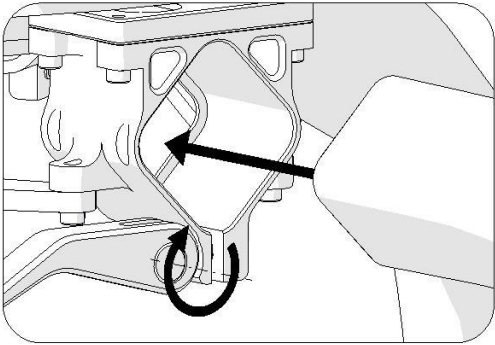
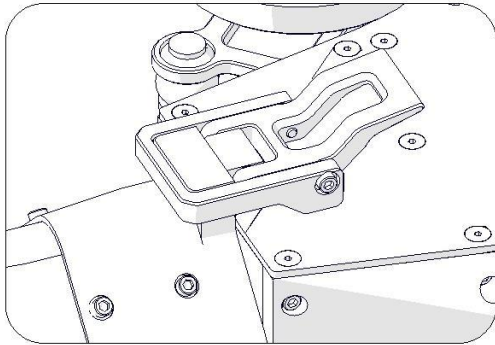
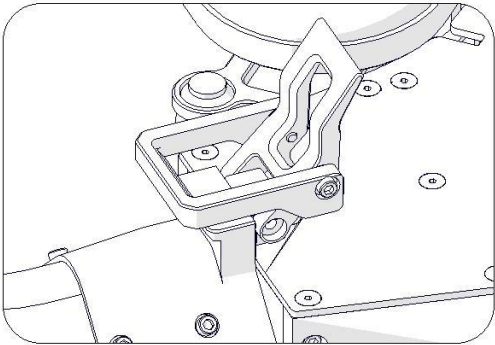
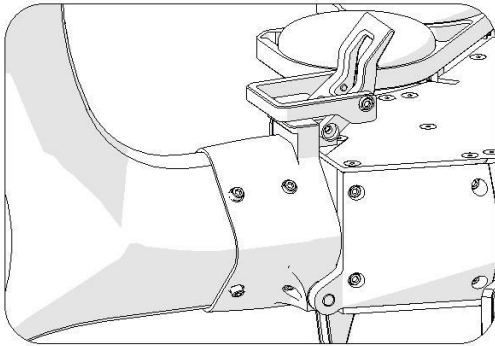
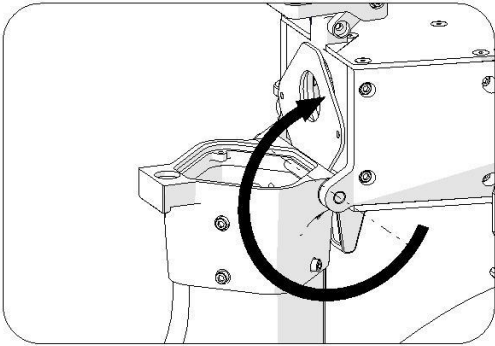
1. connection ports;
2. Arm folding lock 2;
3. Landing gear slip ring;
4. landing gear linkage;
5. Gimbal and payload adapter
6. PTZ shock absorber;
7. FPV reserved board;
8. PTZ data cables reserved port;
9. Flight Control Parameter Adjustment Port (USB-C)/F1-F8
10. PTZ shock absorber;

## Guide for Main Components

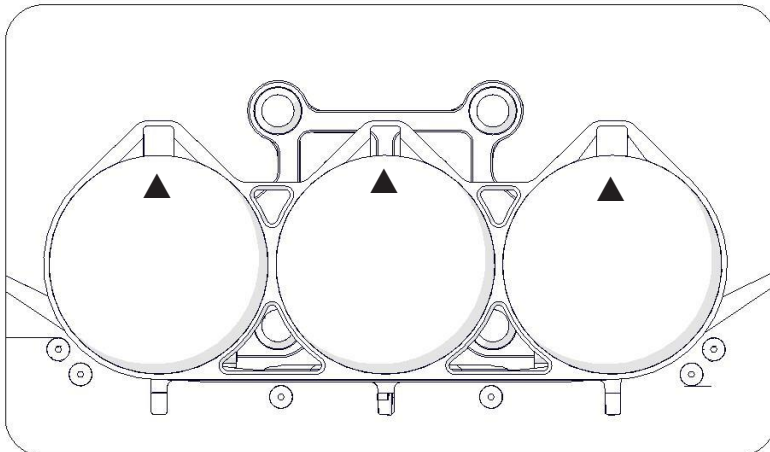
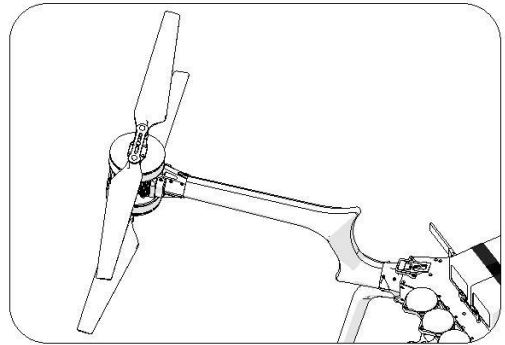
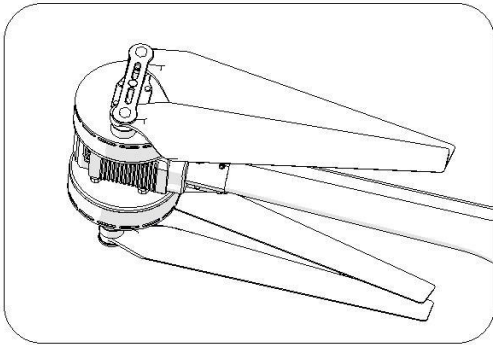
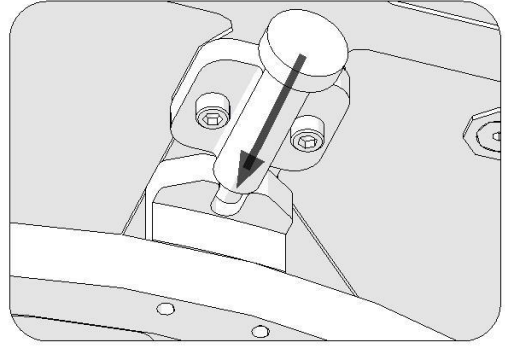
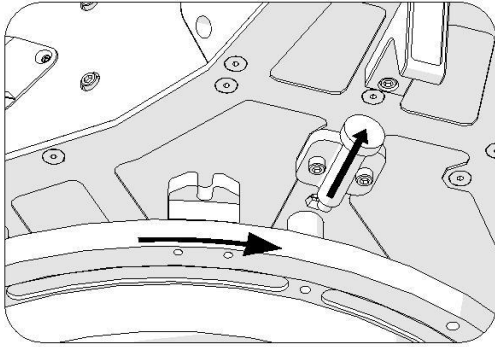


Batteries fixed lock technology

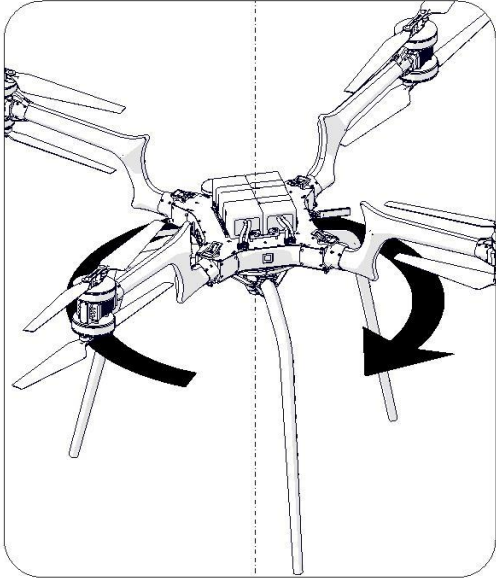
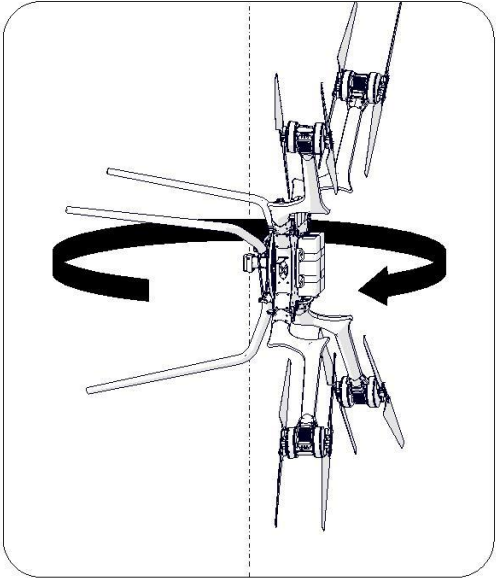








Compass calibration



# Details

## Full specifications

Motor to motor	1500mm
Size after folded	800x800x980mm
Actual size	1080x1080x980mm
MAX takeoff weight	45kg
Copter weight (no battery no payload)	13kg
Max payload	20kg
Endurance	30-70 mins (depends on payload)
Operation temperature	-10°C to 40°C
Recommend batteries	4 units 6S 22000mAh 30-50C Lipo Batteries
Landing gear	Custom made TXG350
Max ASL	4500 meter
Maximum Pitch angle	30°
Flight Controller	A3 Pro or Pixhawk
Propulsion system	Custom

# Photo Catalogs

