

# **180 / 270 DEGREE AWNING USER MANUAL**

SH-SA180-GREY / SH-SA270-GREY-S / SH-SA270-GREY-L

Please read this manual carefully before installation, and retain it for future reference.

V1.3

# WARNINGS AND SAFETY INSTRUCTIONS

- DO NOT set up the awning in strong winds or extreme weather conditions.
- We strongly recommend pegging all vertical legs to the ground, and attaching and pegging all guy ropes to enhance stability.
- Be cautious of guy ropes as they pose trip hazards both in daylight and during the night.
- Keep hands away from pivoting poles while assembling or disassembling the awning.
- Keep all flame and heat sources at a distance.
- DO NOT place any load on the awning fabric or use the awning as assistance to lift your body weight onto the roof of the vehicle.
- Remove the awning prior to entering an automatic car wash.
- Consider the load capacity of your roof rack or crossbars when installing the awning. Note that the weights are approximately 20.7kg for SH-SA180-GREY, 21kg for SH-SA270-GREY-S, and 27.6kg for SH-SA270-GREY-L.
- Regularly inspect bolt connections based on road conditions, usage, and distances traveled.

# PARTS LIST

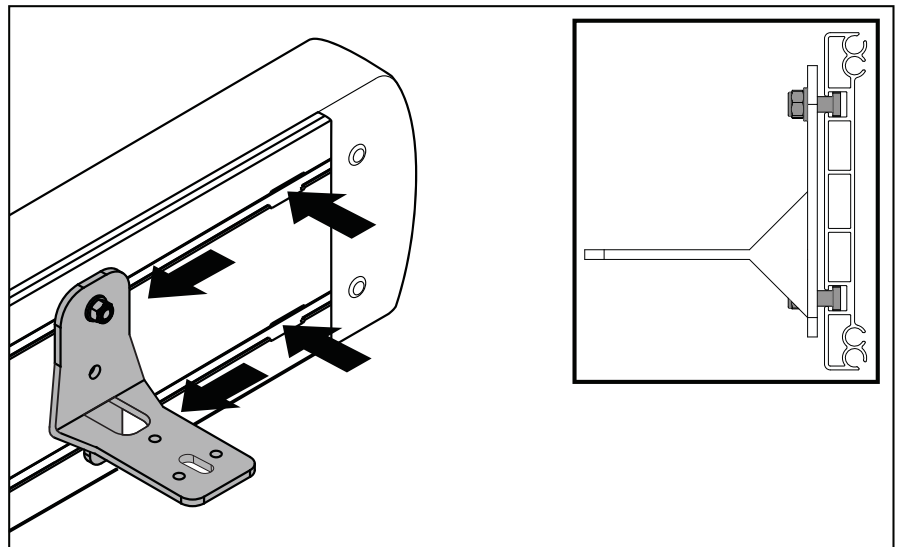
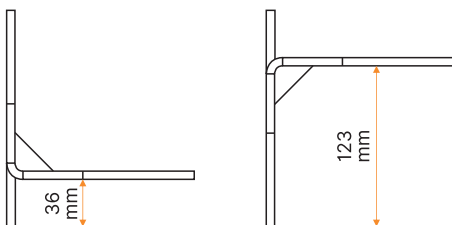
SH-SA180-GREY	SH-SA270-GREY-S	SH-SA270-GREY-L
1 x San Hima Awning		
2 x Mounting Brackets		
/	1 x Strap	2 x Straps
4 x Guy Ropes	4 x Guy Ropes	6 x Guy Ropes
4 x Pegs	4 x Pegs	6 x Pegs
1 x USB to DC Adaptor Cable		
12 x M8 T-Bolts		
12 x M8 Washers		
12 x M8 Nuts		
4 x M6 Bolts		
4 x M6 Flat Washers		
4 x M6 Spring Washers		
4 x M6 Channel Nuts		
1 x Storage Bag		
1 x User Manual		

# INSTALLATION

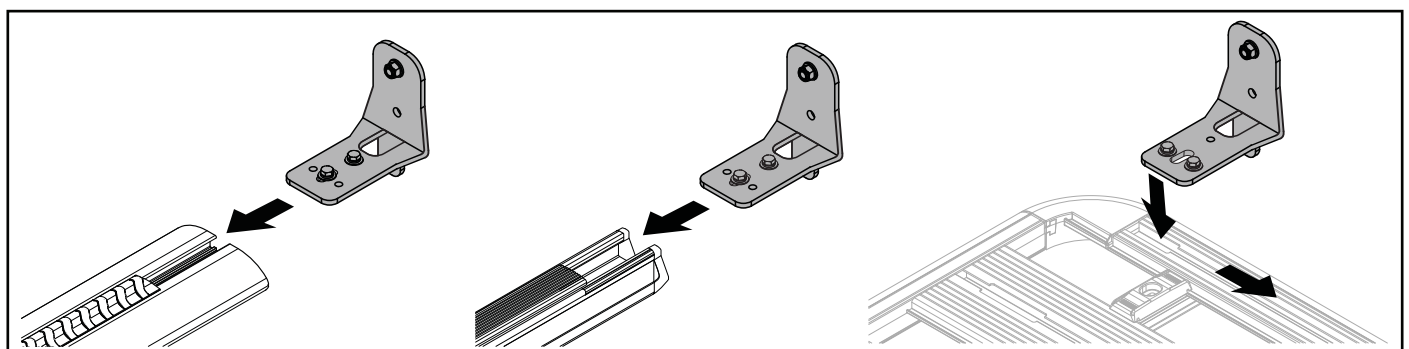
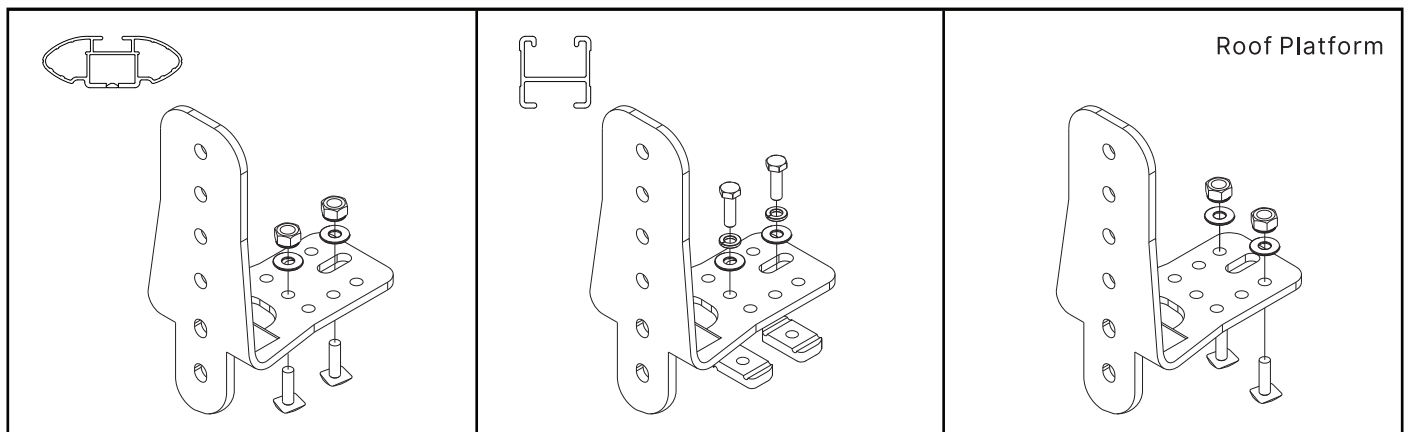
- Slide the bracket assemblies into the awning slots, leaving the bolts loose for adjustment on your roof rack or crossbars.

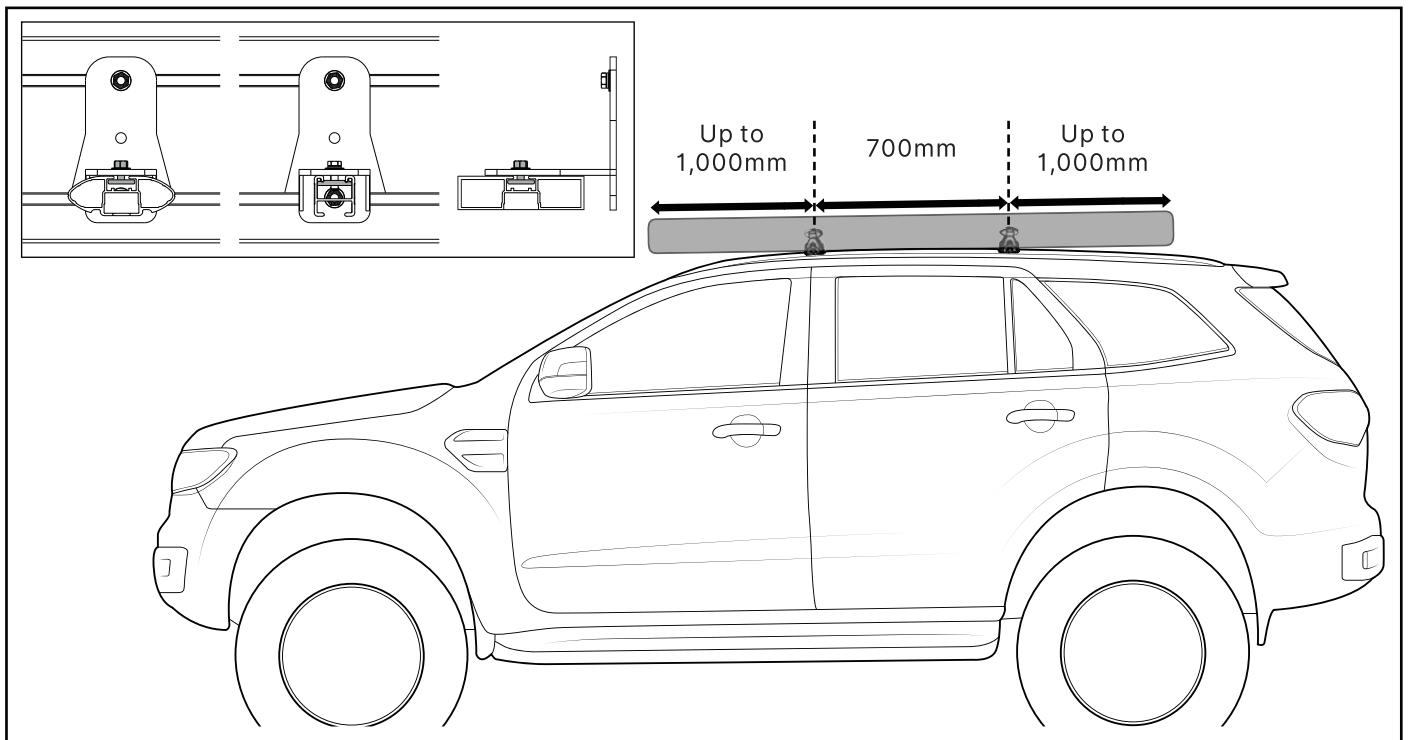
**Note:**

To ensure proper door clearance, adjust the bracket orientation to achieve the desired height.



- Attach the awning to your roof rack or crossbars with supplied bolts, washers and nuts, adjust it based on your tailgate position, and tighten using a socket wrench. Make sure the hardware is correctly positioned within the roof rack or crossbars for secure installation.

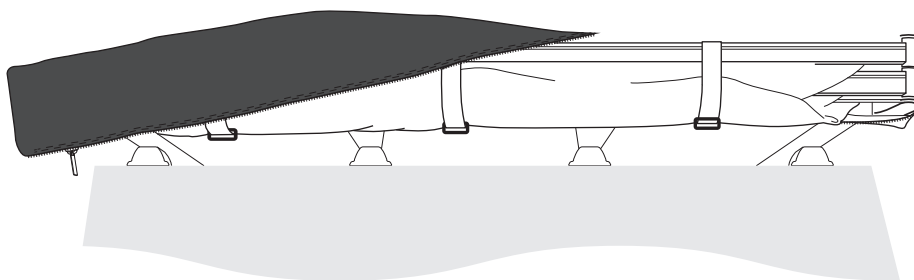




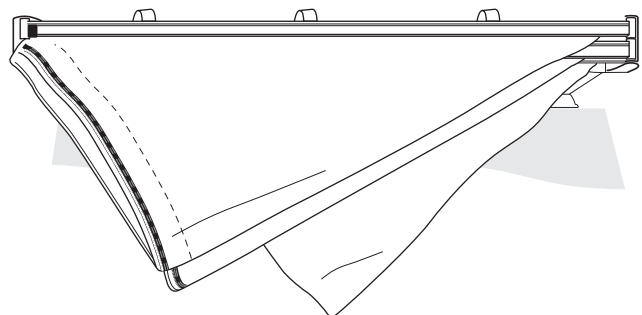
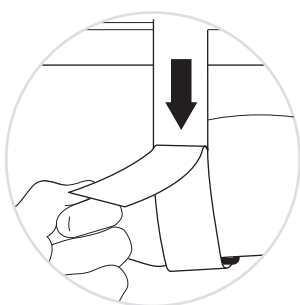
**Note:** Ensure a minimum spacing of 700mm between the mounting brackets, and the unsupported ends of the awning should not exceed 1,000mm.

## SETUP

- Unzip the storage bag and fold it over the awning body.

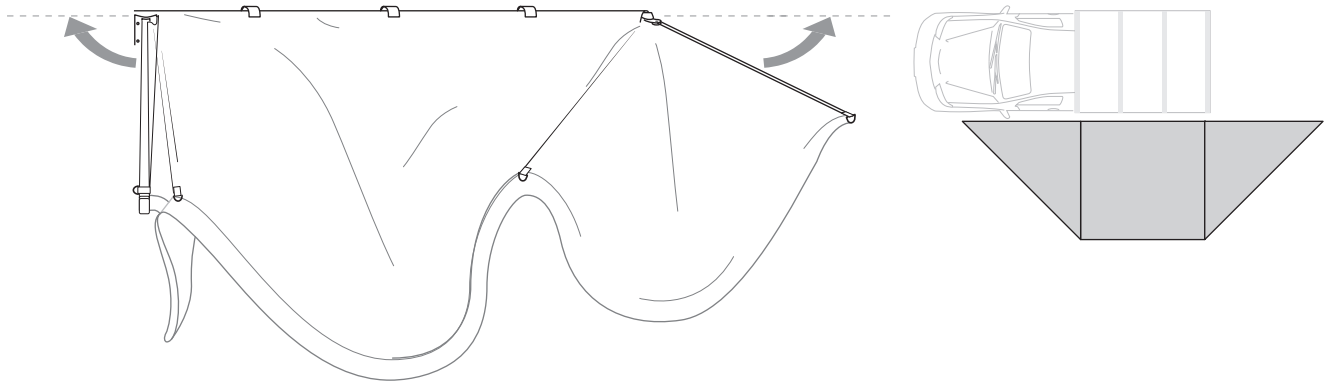


- Loosen the three straps and allow the fabric to hang freely.

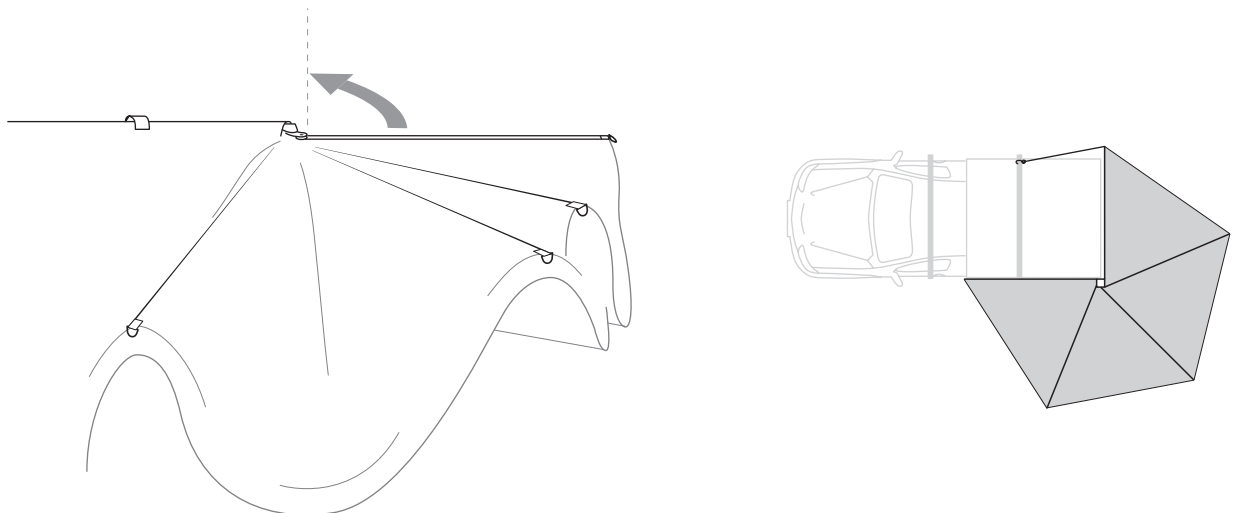


- Swing the arms outward until the fabric is completely extended. For 270 degree awnings secure the awning by fastening the supplied strap(s) to your vehicle with tension:

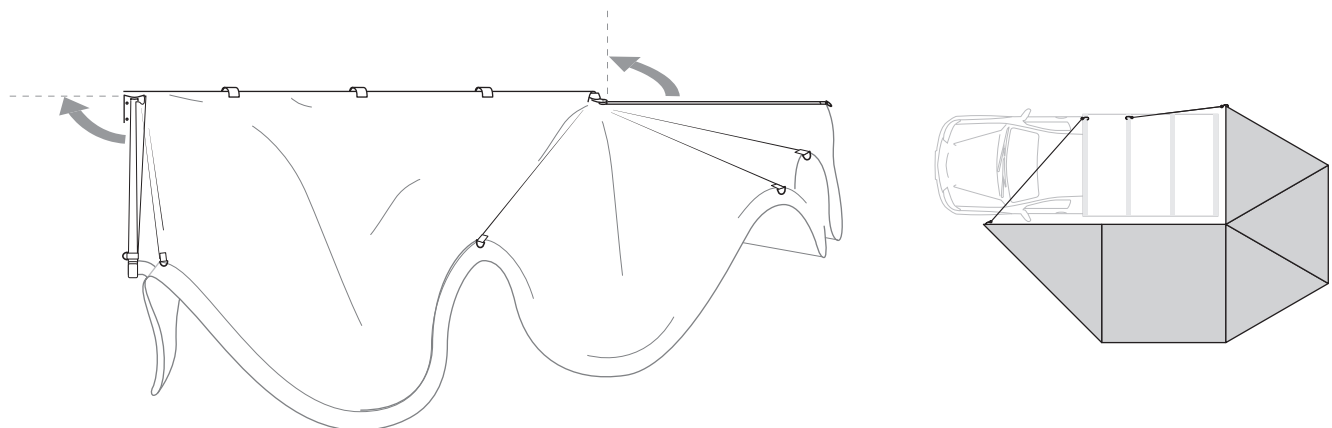
## SH-SA180-GREY



## SH-SA270-GREY-S

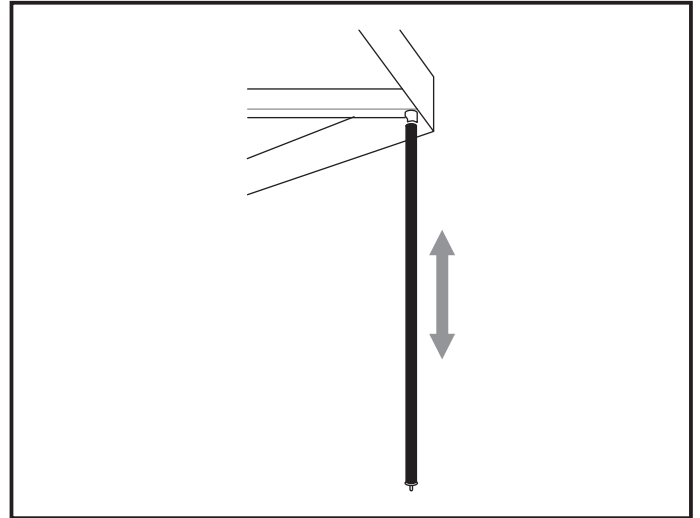


## SH-SA270-GREY-L

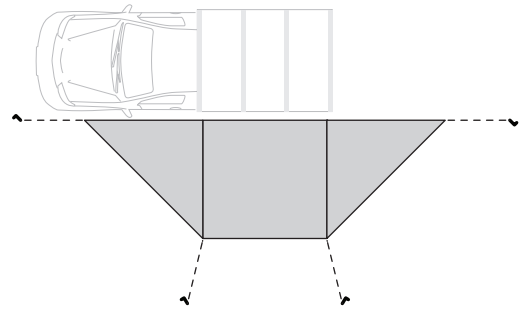


The use of vertical legs, guy ropes, and pegs is optional but highly recommended, especially during harsh weather conditions for enhanced stability.

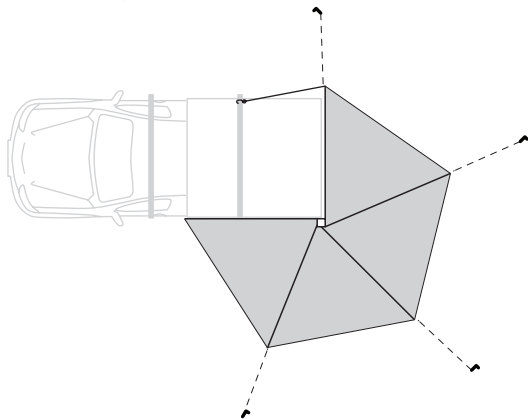
- Pivot down vertical legs to a VERTICAL position, adjust them to your desired height, and drive the built-in pegs into the ground.
- Insert the supplied pegs into suitable ground. Fasten the guy ropes from the awning to the pegs:



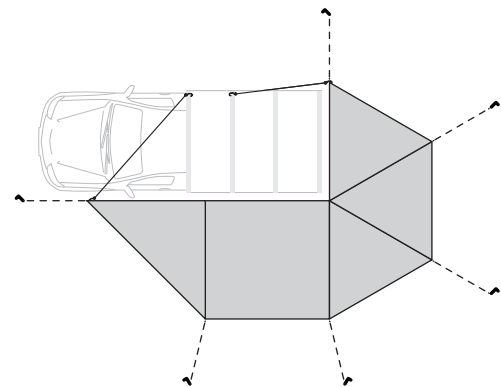
**SH-SA180-GREY**



**SH-SA270-GREY-S**



**SH-SA270-GREY-L**



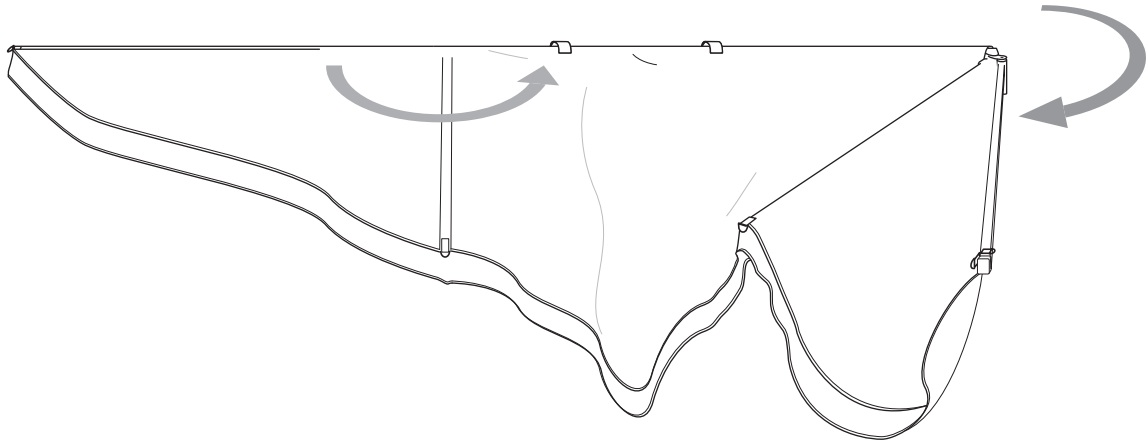
• **Note:**

1. Be aware on some vehicles a vertical leg can hit the rear of the vehicle when dropped down. Simply undo the strap, drop the support, then re-attach the retention strap.
2. In case of rain, lower the vertical legs to allow downward slope to form valleys for water run-off.
3. Once these heights are set for your vehicle, they can be left at this length even when stowed away.

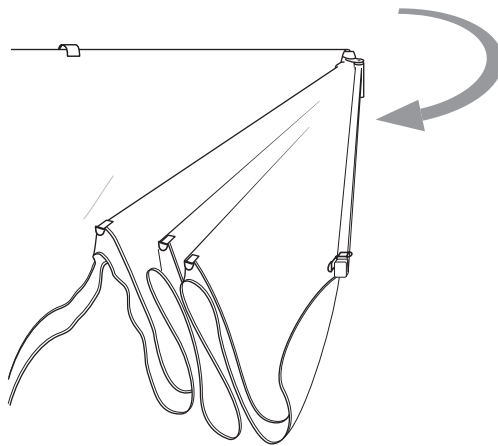
## PACK UP

- Unfasten all pegs and guy ropes, and neatly stow them in their storage bag.
- Pivot up the vertical legs and stow them, ensuring they clip into position.
- Release the straps attached to the vehicle.
- Swing the arms back towards the body of the awning:

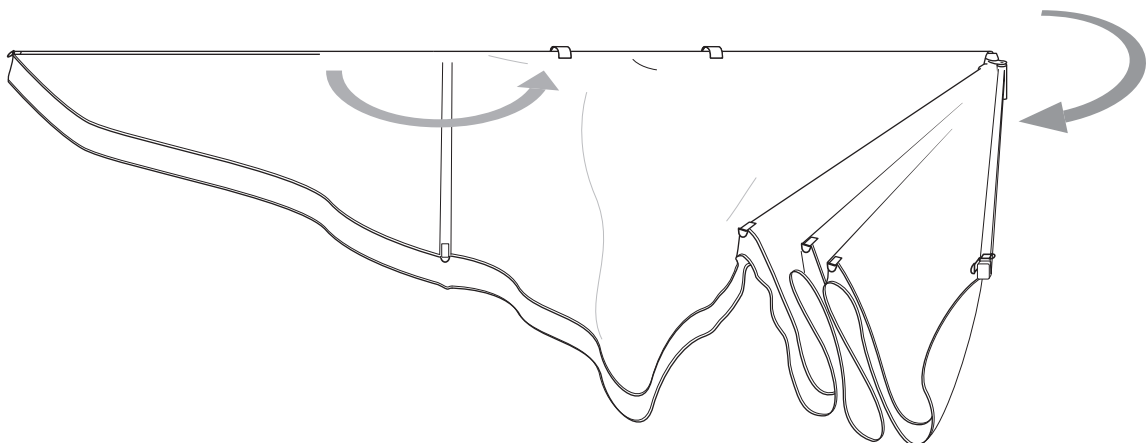
### SH-SA180-GREY



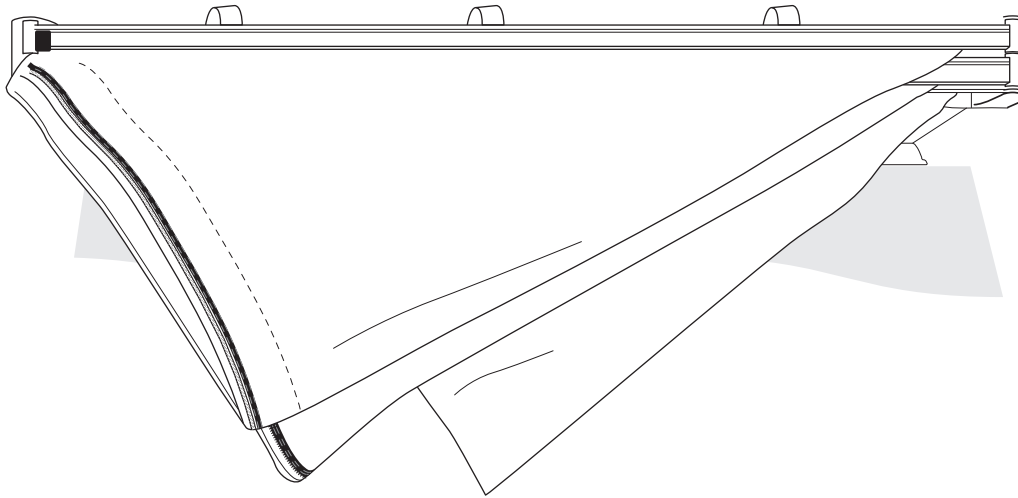
### SH-SA270-GREY-S



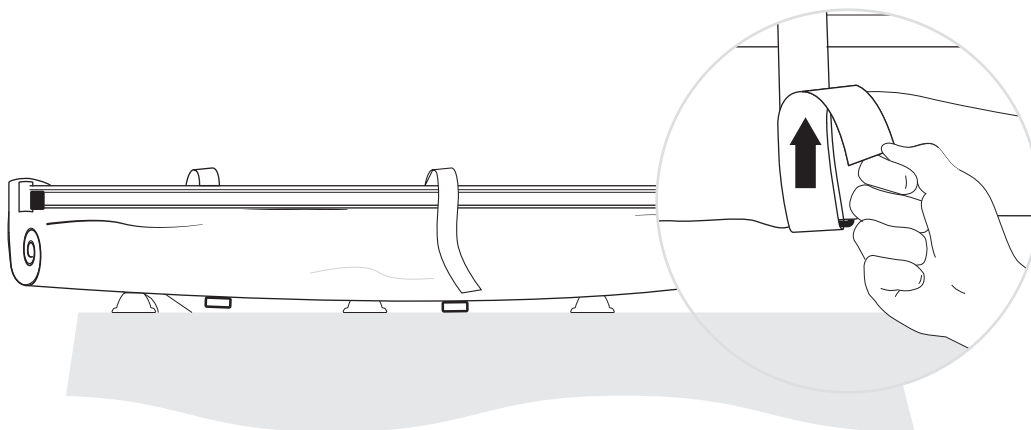
### SH-SA270-GREY-L



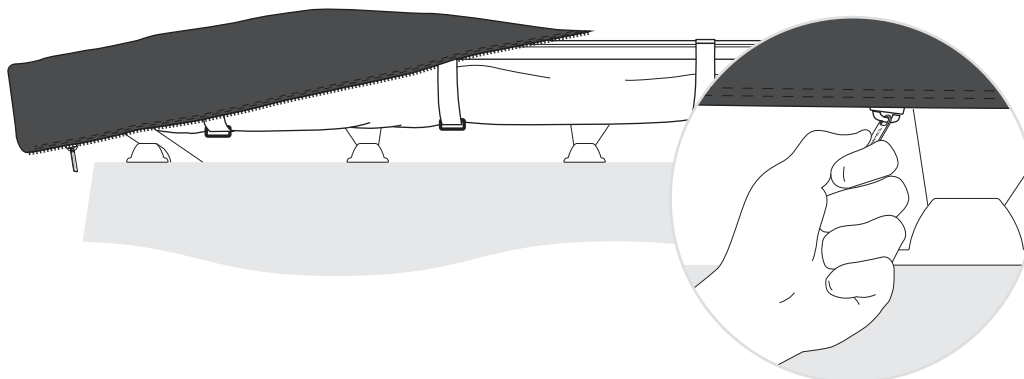
- Make sure the fabric hangs towards the ground in a triangular shape without bunching up.



- Grasp the fabric at the point of the triangle, roll it towards the top of the awning, and secure it with the three straps.



- Place the storage bag cover over the awning and zip it up.





## SPECIFICATIONS

MODEL	SH-SA180-GREY	SH-SA270-GREY-S	SH-SA270-GREY-L
Product Weight	20.7kg	21kg	27.6kg
Coverage	180°, 7.8m <sup>2</sup>	270°, 7m <sup>2</sup>	270°, 11m <sup>2</sup>
Storage Bag Dimensions	2,008*198*168mm	2,008*198*168mm	2,148*198*188mm
Awning Material	600D Double-Ripstop Oxford		
Pole Material	Powder-Coated Aluminum		
Storage Bag Material	580gsm PVC		
Waterproof Rating	3,000mm		
Sun Protection Rating	UV50+		

## CARE AND MAINTENANCE

- Clean with cold water and a soft bristle brush. Avoid using soaps and detergents. Do not expose the awning to petrol, diesel, oils, or chemicals of any nature.
- Ensure the awning is completely dry before storing. If the awning needs to be stowed wet on occasion, it is essential to unpack and dry it as soon as possible.

## **WARRANTY**

San Hima ("Manufacturer") warrants to the original purchaser ("User") that its 180 / 270 degree awning, if purchased from manufacturer or an authorized distributor or dealer, will be free of defects in material and workmanship under normal usage from the date sold and for the duration (the "Warranty Period") of 2 YEARS.

This warranty shall ONLY be effective for the original purchaser and apply ONLY to the San Hima 180 / 270 degree awning that is correctly used for which it is intended.

San Hima will either replace the product or provide you with a refund at our discretion provided that the fault is found to have been caused by a design or manufacturing defect that results in its failure to perform correctly as described. The limited warranty is the only one that applies to this product, and it sets forth all the responsibilities of San Hima.

### **EXCLUSIONS:**

This warranty does not cover problems resulting from:

- accident, abuse, neglect, shock, extreme temperature, improper operation or maintenance;
- any misuse contrary to the instructions and warnings in the user manual;
- normal wear and tear, cosmetic damage;
- damage caused by liquid contact, fire, or natural disasters;
- use of the product for commercial or industrial purposes;
- damage caused by attempted repairs or modifications by unauthorized personnel;
- damage due to the user's fault or lack of knowledge.

### **CLAIMS:**

If a San Hima product is suspected of being defective, you'll need to provide proof of purchase (e. g. a screenshot of the order) and a picture and a video of the damaged goods in their entirety to [sales@sanhima.com](mailto:sales@sanhima.com). If the product is found to be defective and covered by this limited warranty, the remedy is replacement or refund, at San Hima's option. No charges will be accepted for external labour or materials.